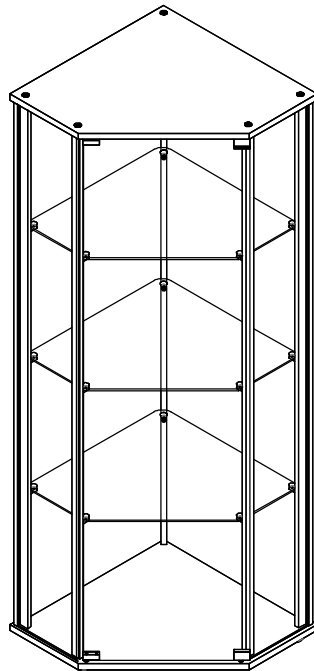


*ASSEMBLY INSTRUCTIONS*  
*COASTER FINE FURNITURE*



*Fine Furniture for every stage of life*

**953234**  
***CURIO CABINET***

ITEM:953234



# ASSEMBLY INSTRUCTIONS

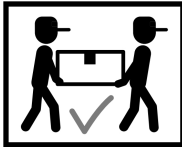
## ASSEMBLY TIPS:

1. Remove hardware from box and sort by size.
2. Please check to see that all hardware and parts are present prior to start of assembly.
3. Please follow attached instructions in the same sequence as numbered to assure fast & easy assembly.



### WARNING!

1. Don't attempt to repair or modify parts that are broken or defective. Please contact the store immediately.
2. This product is for home use only and not intended for commercial establishments.



ASSEMBLY TIME 80 MINUTES

## PARTS IDENTIFICATION

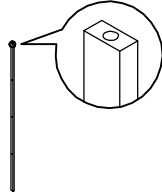
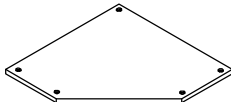
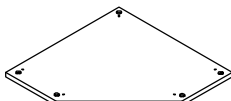
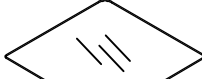
A	DOOR GLASS 1555 x 407 x 5mm		1PC
B	LARGE BACK GLASS 1576 x 509 x 5mm		1PC
C	SMALL BACK GLASS 1576 x 504 x 5mm		1PC
D	SIDE GLASS 1576 x 208 x 5mm		2PCS
E	PLASTIC BAR		3PCS
F	SUPPORT CROSSBAR		1PC

ITEM:953234



# ASSEMBLY INSTRUCTIONS

## PARTS IDENTIFICATION


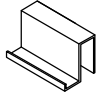

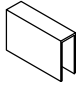




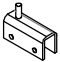

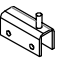






G	CROSSBAR		4PCS
H	TOP PANEL		1PC
I	BOTTOM PANEL		1PC
J	GLASS SHELF 472 x 472 x 5mm		3PCS

ITEM:953234

# ASSEMBLY INSTRUCTIONS



## HARDWARE IDENTIFICATION

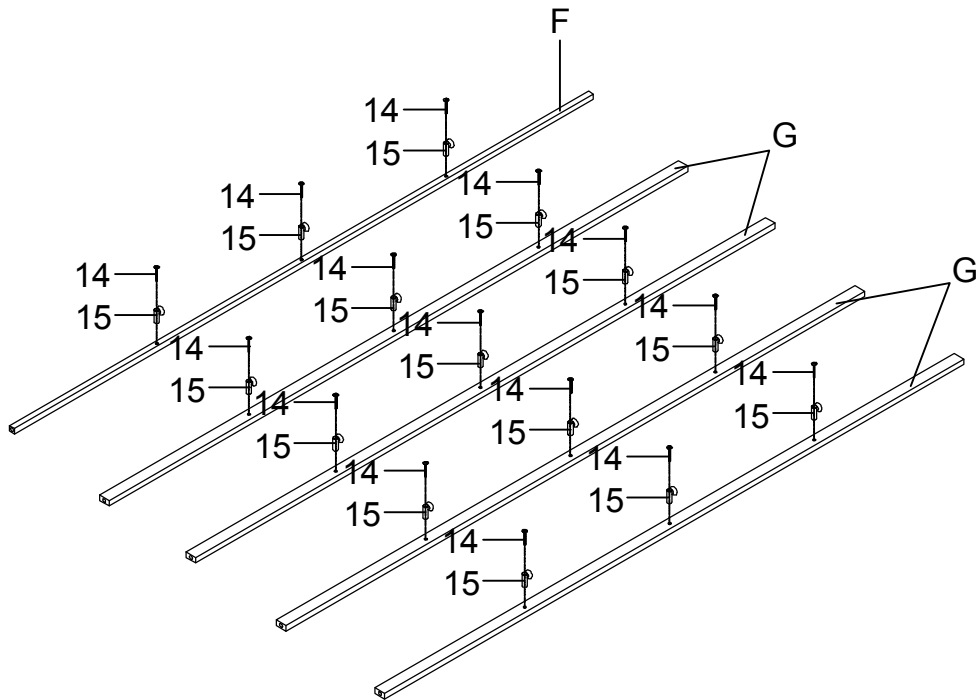
1	BOLT (1/4" x 45mm BLK)		10PCS	10	HANDLE		1PC
2	WASHER ( $\phi$ 16mm BLK)		10PCS	11	METAL HANDLE		1PC
3	PLASTIC FEET SCREW ( $\phi$ 8 x 22mm)		5PCS	12	ADHESIVE		2PCS
4	PLASTIC FEET ( $\phi$ 44 x 18mm)		5PCS	13	PLASTIC MAGNET		2PCS
5	TOP HINGE		1PC	14	SUCTION CUP BOLT ( $\phi$ 8 x 30mm)		15PCS
6	BOTTOM HINGE		1PC	15	SUCTION CUP ( $\phi$ 20 x 28mm)		15PCS
7	SMALL BOLT ( $\phi$ 7 x 6mm)		4PCS	16	STICKER		5PCS
8	METAL WITH ADHESIVE		2PCS	17	ALLEN WRENCH (4mm)		1PC
9	HINGE INSERT		2PCS				

ITEM: 953234

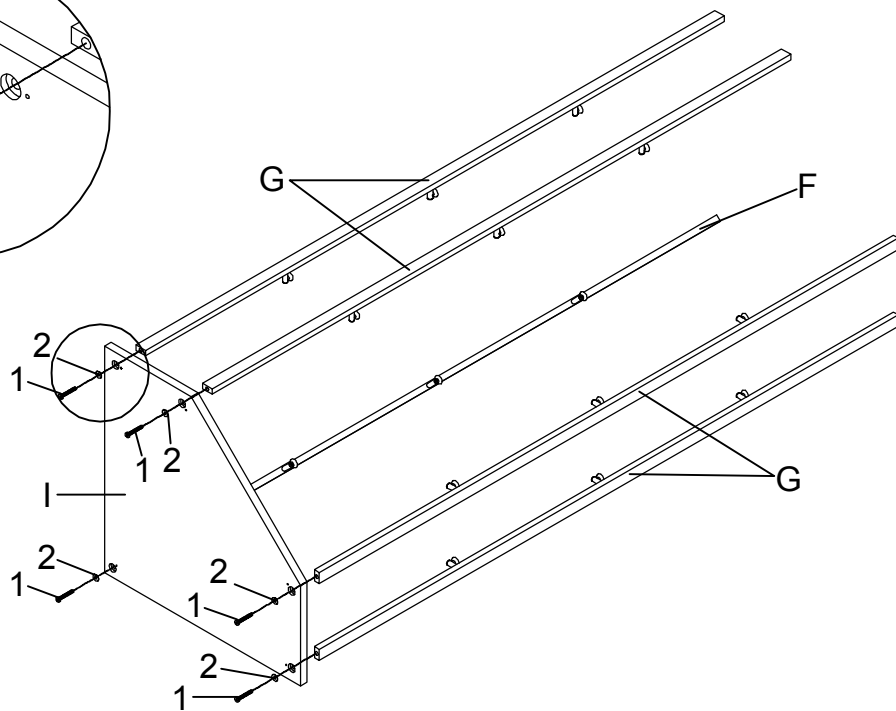
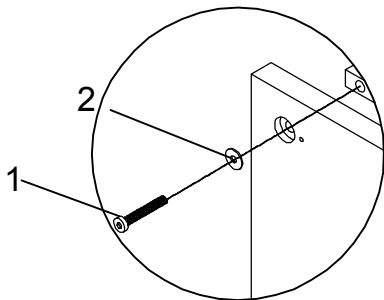


# ASSEMBLY INSTRUCTIONS

**STEP 1** Do not tighten until each step is completed or instructed.



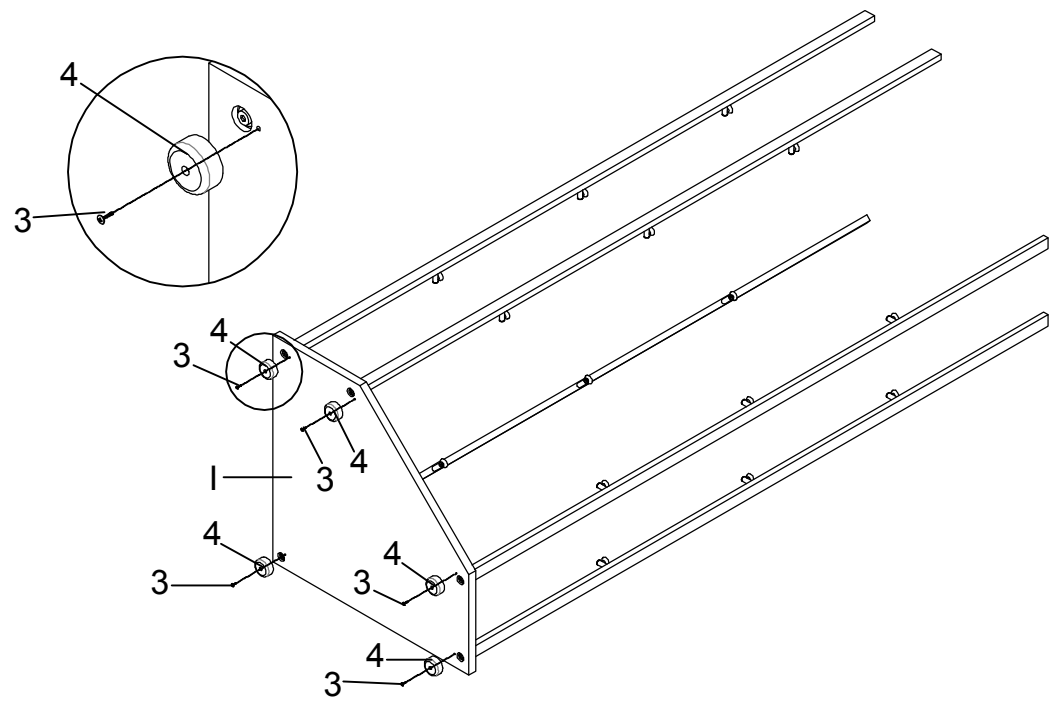
## STEP 2



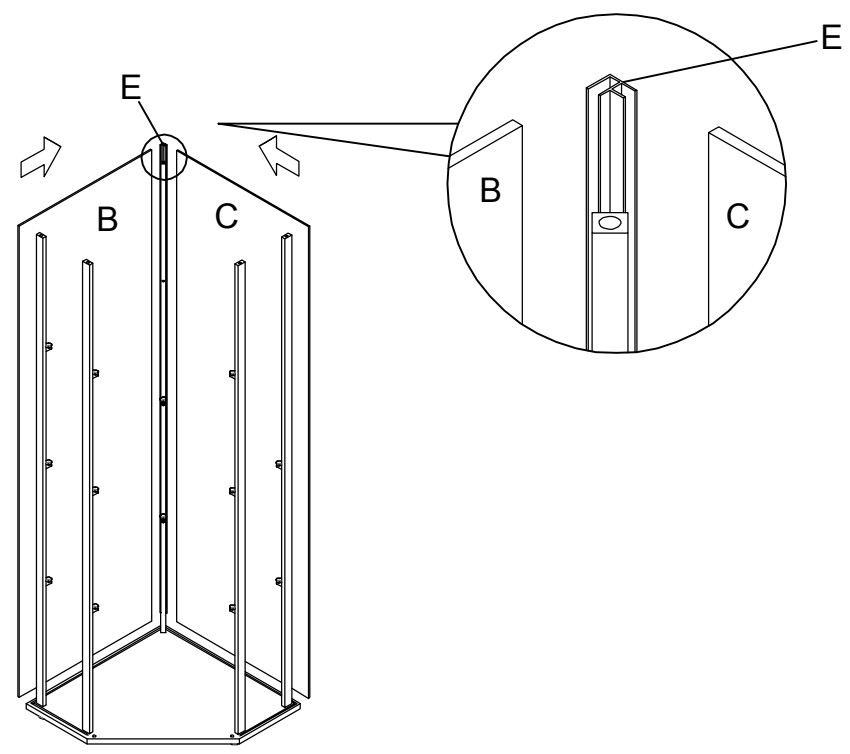
ITEM: 953234  
ASSEMBLY INSTRUCTIONS



STEP 3



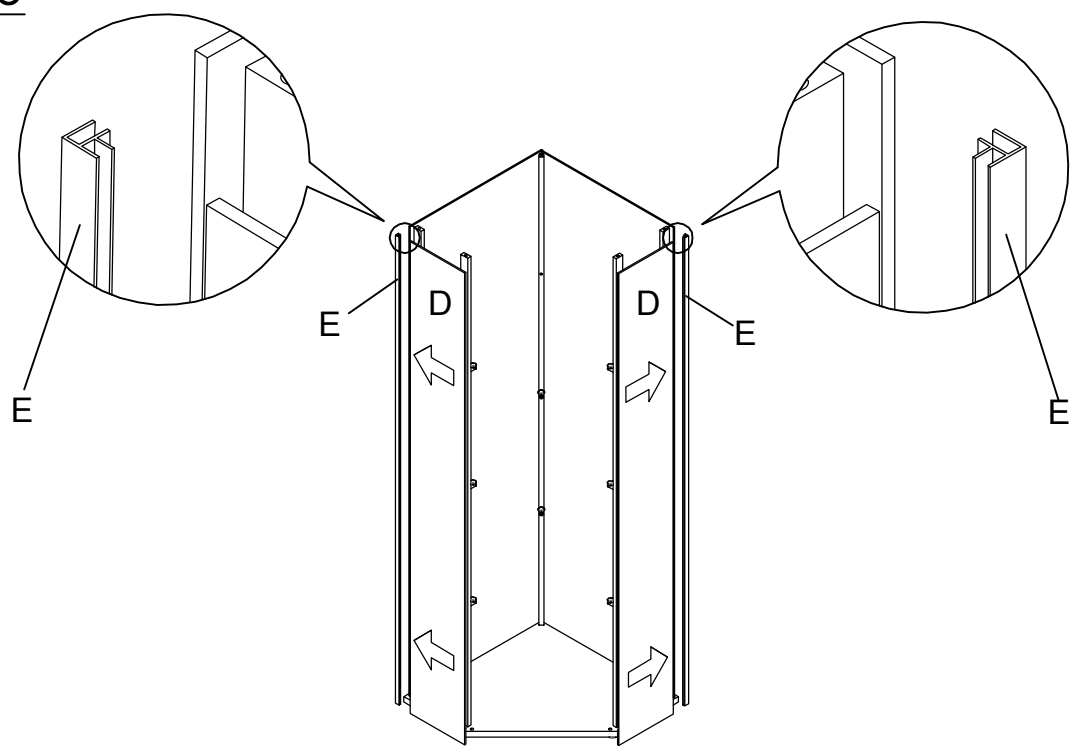
STEP 4



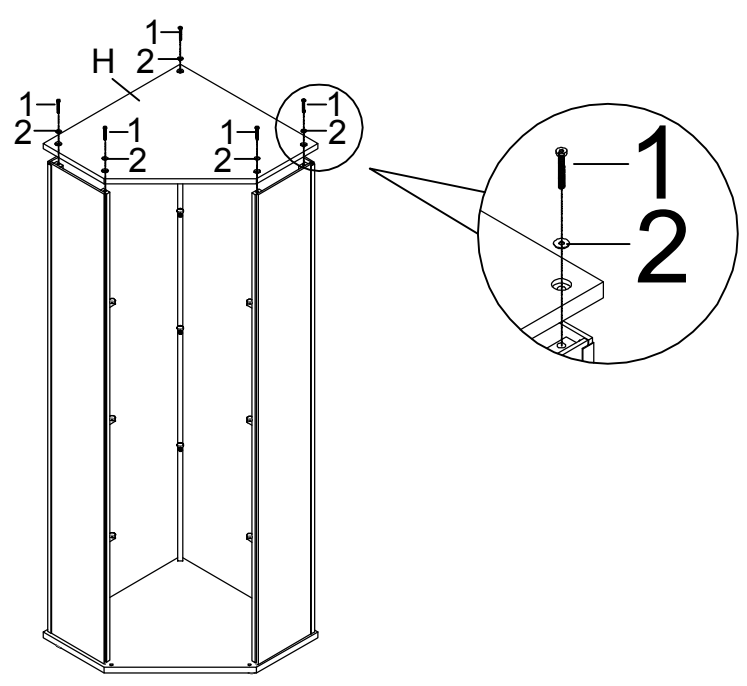
ITEM: 953234  
ASSEMBLY INSTRUCTIONS



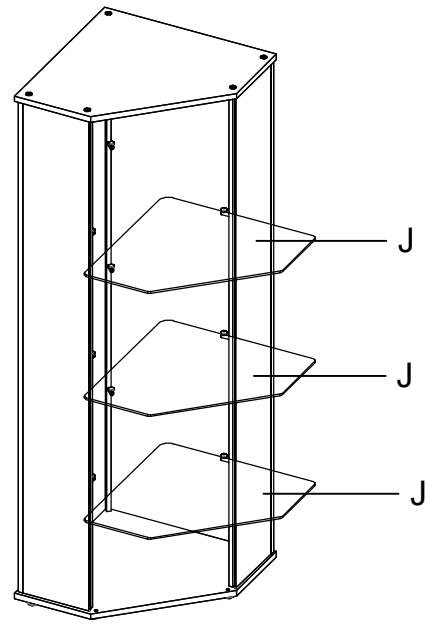
STEP 5



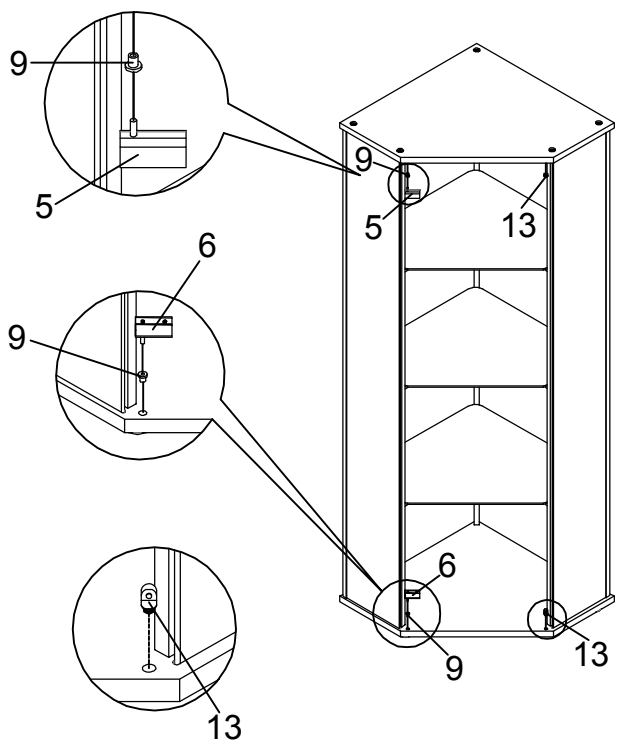
STEP 6



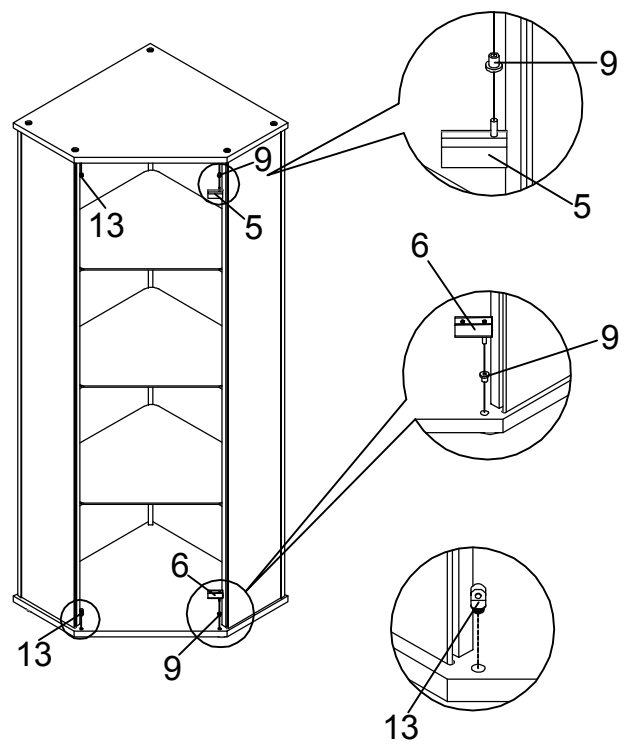
ITEM: 953234  
**ASSEMBLY INSTRUCTIONS**  
STEP 7



STEP 8  
LEFT



STEP 8  
RIGHT





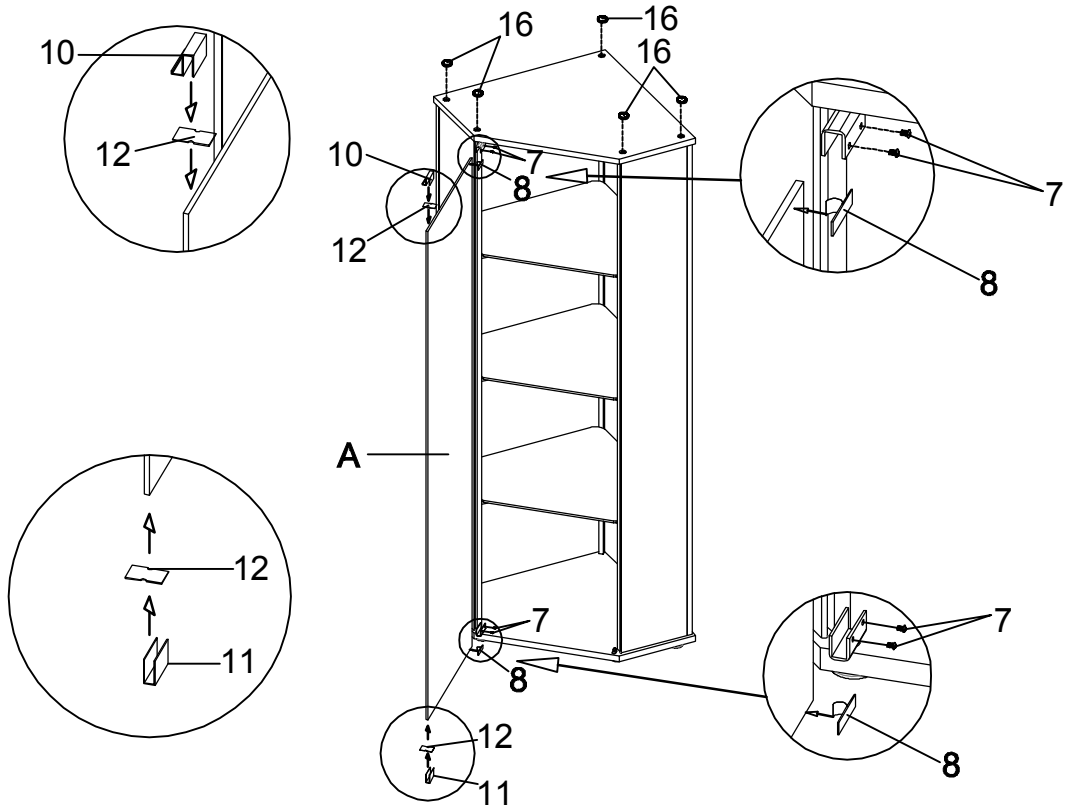
ITEM: 953234

# ASSEMBLY INSTRUCTIONS



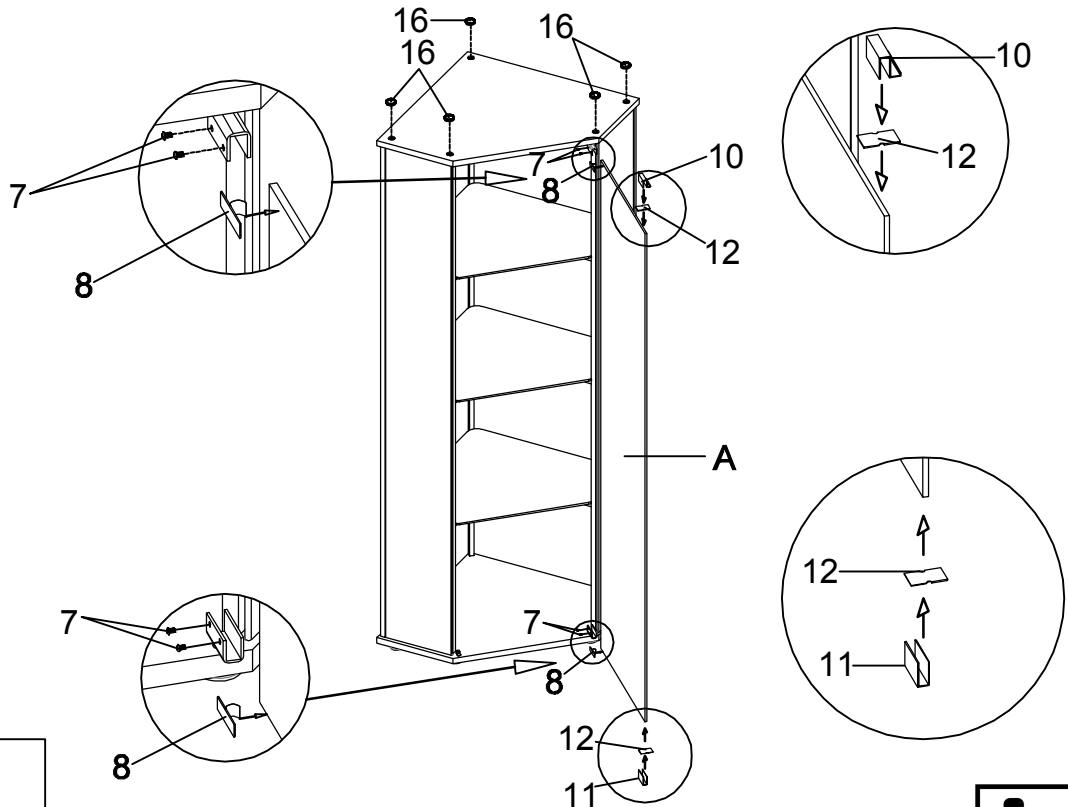
## STEP 9

### LEFT

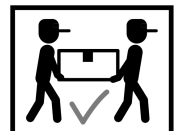
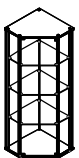


## STEP 9

### RIGHT



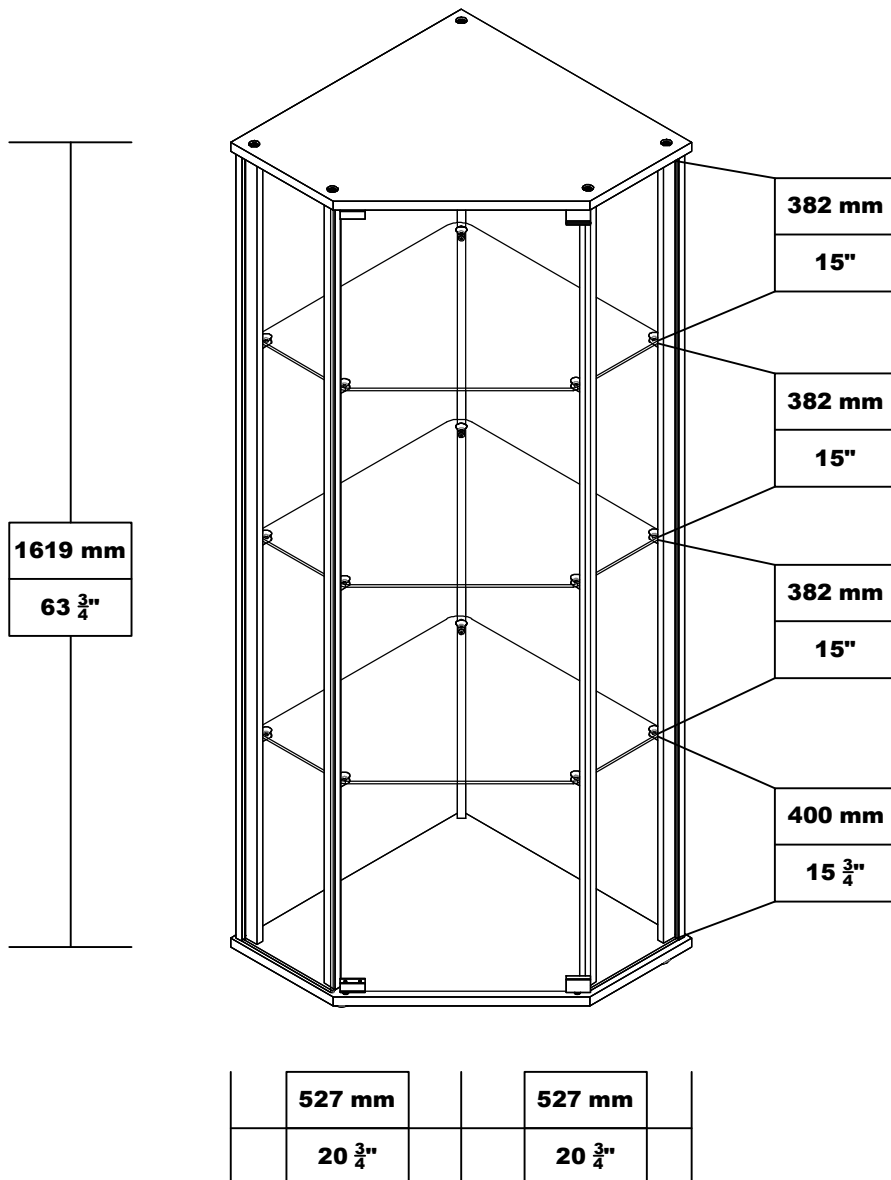
COMPLETE



# ITEM: 953234 ASSEMBLY INSTRUCTIONS

**Product Size : 527 X 527 X 1619 H (MM)**

**Product Size : 20  $\frac{3}{4}$ " X 20  $\frac{3}{4}$ " X 63  $\frac{3}{4}$ "**



Note : Dimension tolerance  $\pm 5\%$

ITEM: **953234**



## ANTI-TIPPING INSTALLMENT INSTRUCTIONS

### FURNITURE TIPPING RESTRAINT

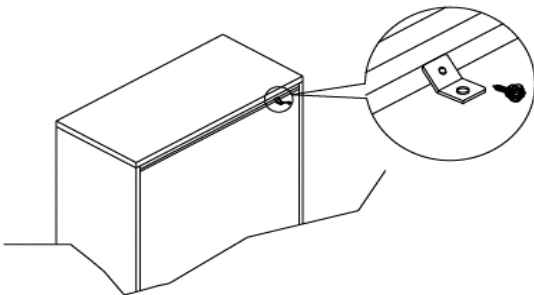
#### WARNING

Injury may result from tipping furniture.  
This restraint may protect against tipping furniture.  
Do not allow children to climb on furniture.  
This restraint is not a substitute for proper adult supervision.  
Failure to detach this restraint before moving the furniture may result in injury and damage.

This tip restraint must be attached to a wall stud using long screw enclosed.

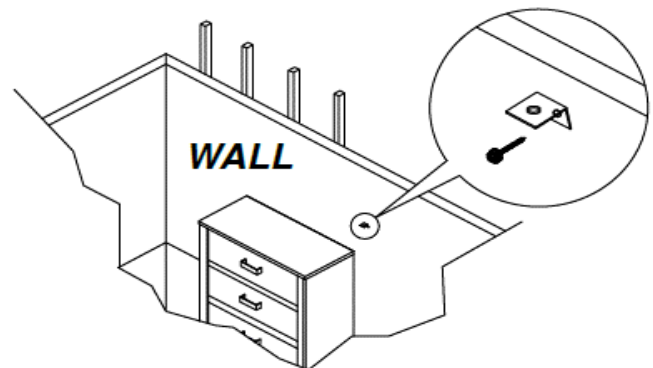
#### STEP 1

Attach a bracket securely to the back top rail of the furniture using short screw provided, through the smaller hole.



#### STEP 2

Locate the other bracket on the wall over a plastic wall stud and two inches below the mounting bracket secured to the back of the furniture. Attach the wall stud using the long screw provided, through the smaller hole.



#### STEP 3

Place the furniture into position so both mounting brackets are vertically in line. Lace the end of the restraint strap through the larger hole in each mounting bracket. Bring both ends together and slide the flat end through the locking end and draw it through until all slack is removed. Confirm that the strap is securely laced and locked.

