

ASSEMBLY INSTRUCTIONS COASTER FINE FURNITURE



Fine Furniture for every stage of life

100026(B1-B2)
BAR TABLE

ITEM: 100026(B1-B2)



ASSEMBLY INSTRUCTIONS

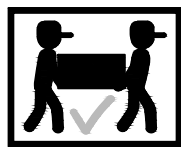
ASSEMBLY TIPS:

1. Remove hardware from box and sort by size.
2. Please check to see that all hardware and parts are present prior to start of assembly.
3. Please follow attached instructions in the same sequence as numbered to assure fast & easy assembly.



WARNING !

1. Don't attempt to repair or modify parts that are broken or defective. Please contact the store immediately.
2. This product is for home use only and not intended for commercial establishments.

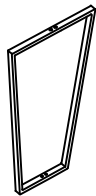


ASSEMBLY TIME 15 MINUTES

PARTS IDENTIFICATION

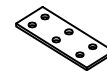
B2 (BOX 2)

A. LEG FRAME



1PC

C. CONNECTING PLATE



2PCS

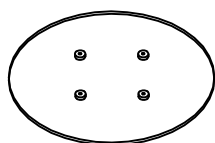
B. HALF LEG FRAME



2PCS

B1 (BOX 1)

D. TOP



1PC

HARDWARE PACKAGE

Z-B2 (BOX 2)-HARDWARE PACK IS LOCATED IN 100026(B2)

1. SMALL BOLT

(Ø1/4"*12mm-SILVER)



12PCS

4. ALLEN WRENCH

(Ø1/4"*57mm-SILVER)



1PC

2. FLAT WASHER

(Ø1/4"*16mm-SILVER)



4PCS

3. LARGE BOLT

(Ø1/4"*20mm-SILVER)



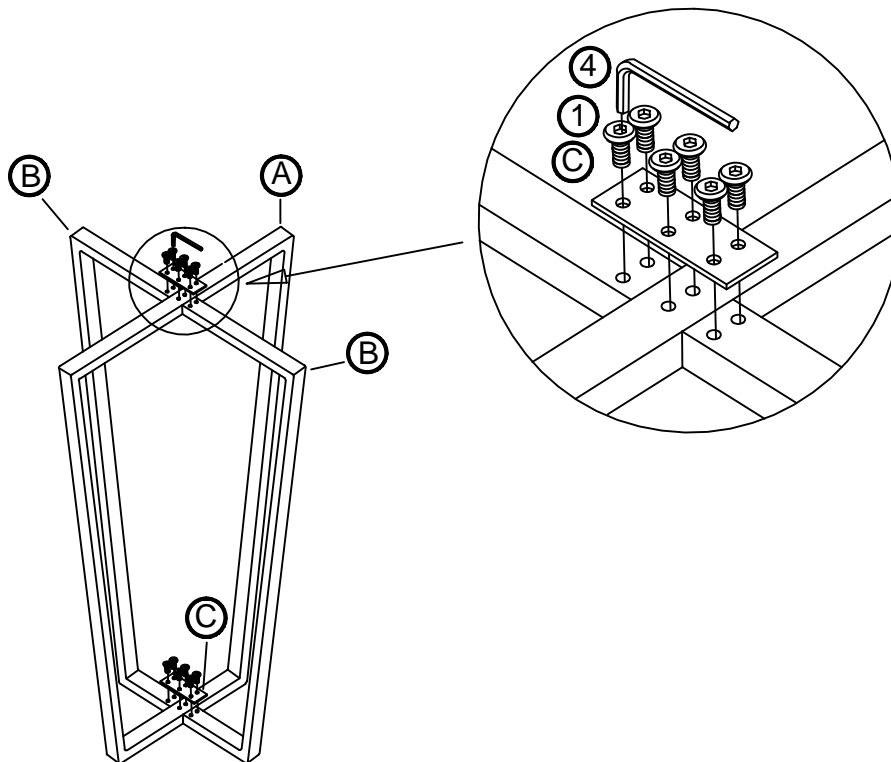
4PCS

ITEM: **100026(B1-B2)**

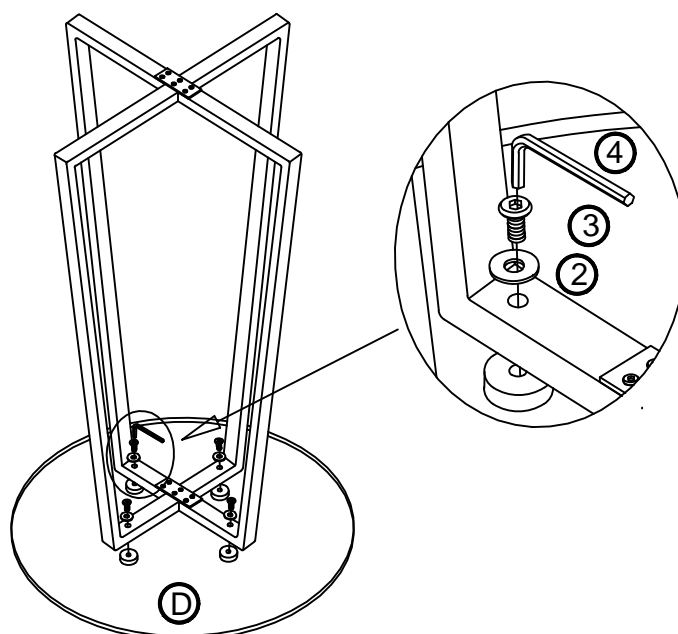
ASSEMBLY INSTRUCTIONS



STEP 1



STEP 2



ITEM: **100026(B1-B2)**

ASSEMBLY INSTRUCTIONS



STEP 3
COMPLETE

