

ASSEMBLY INSTRUCTIONS
COASTER FINE FURNITURE



Fine Furniture for every stage of life

100871
GAME TABLE

ITEM: **100871**



ASSEMBLY INSTRUCTIONS

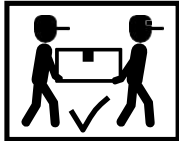
ASSEMBLY TIPS:

1. Remove hardware from box and sort by size.
2. Please check to see that all hardware and parts are present prior to start of assembly.
3. Please follow attached instructions in the same sequence as numbered to assure fast & easy assembly.



WARNING!

1. Don't attempt to repair or modify parts that are broken or defective. Please contact the store immediately.
2. This product is for home use only and not intended for commercial establishments.



ASSEMBLY TIME

15 MINUTES


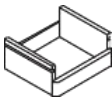
PARTS IDENTIFICATION

A	DINING TOP		1
B	POOL TOP		1
C	PEDESTAL		1
D	MOUNTING BOARD		1
E	LEG		4
F	BALL SET		1
G	CUE STICK		2
H	CHALK		2

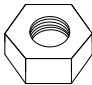
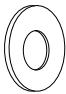
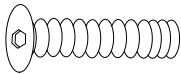
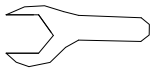
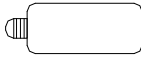
ITEM:100871



PARTS IDENTIFICATION

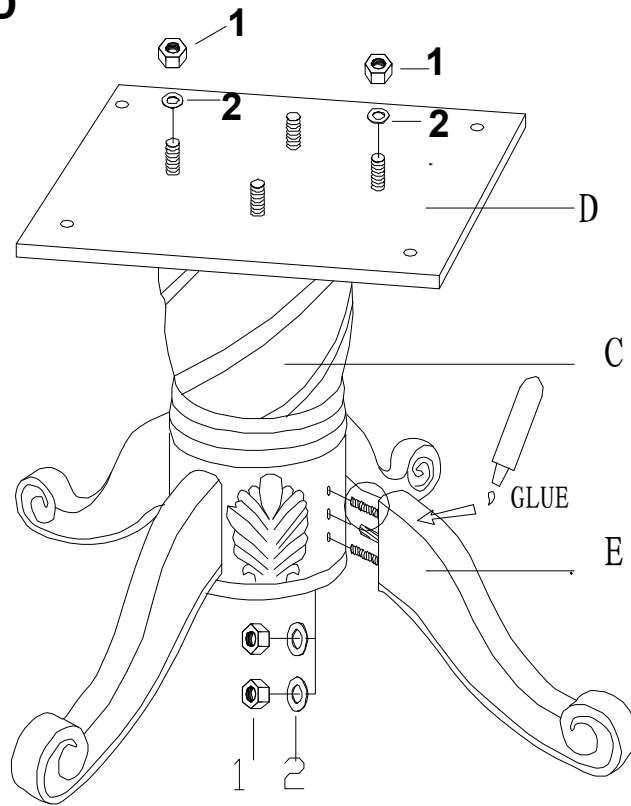
I	BRUSH		1
J	DRAWER		2

HARDWARE IDENTIFICATION

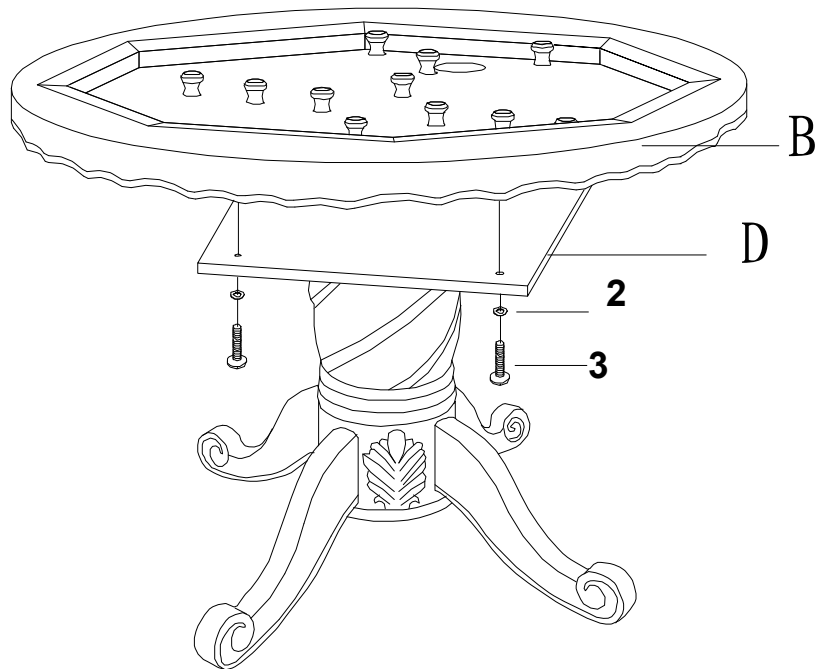
1	NUT(5/16*13)		12
2	WASHER(5/16*19)		16
3	BOLT(5/16*40)		4
4	TOOL(5/16)		1
5	GLUE		1

ITEM: **100871**

ASSEMBLY INSTRUCTIONS
LOWER BED END
STEP 1



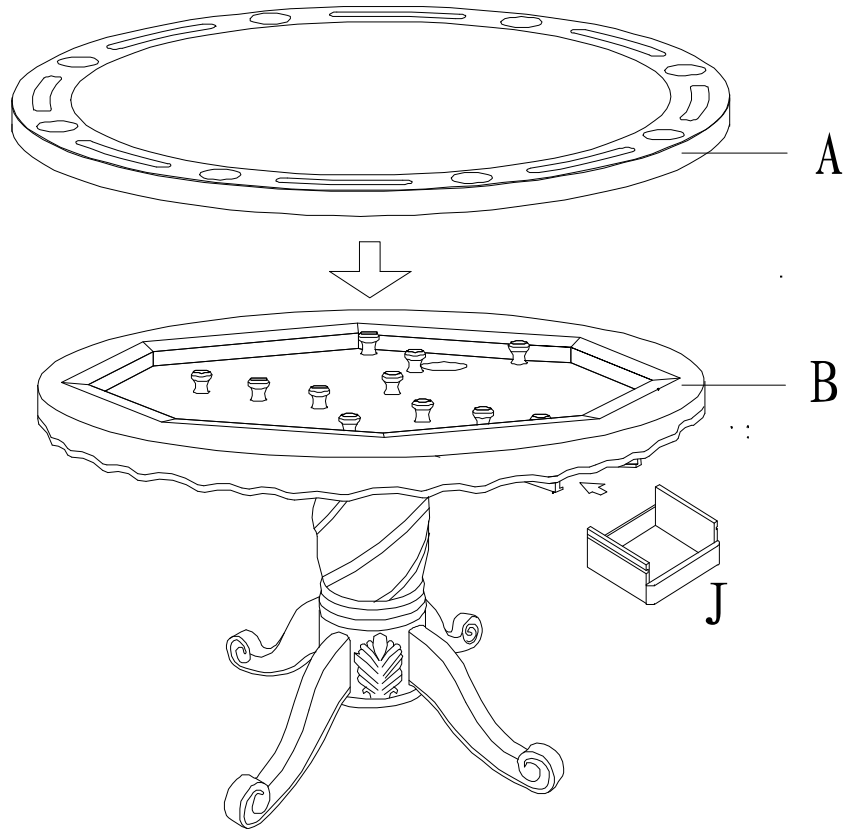
UPPER BED END
STEP 2



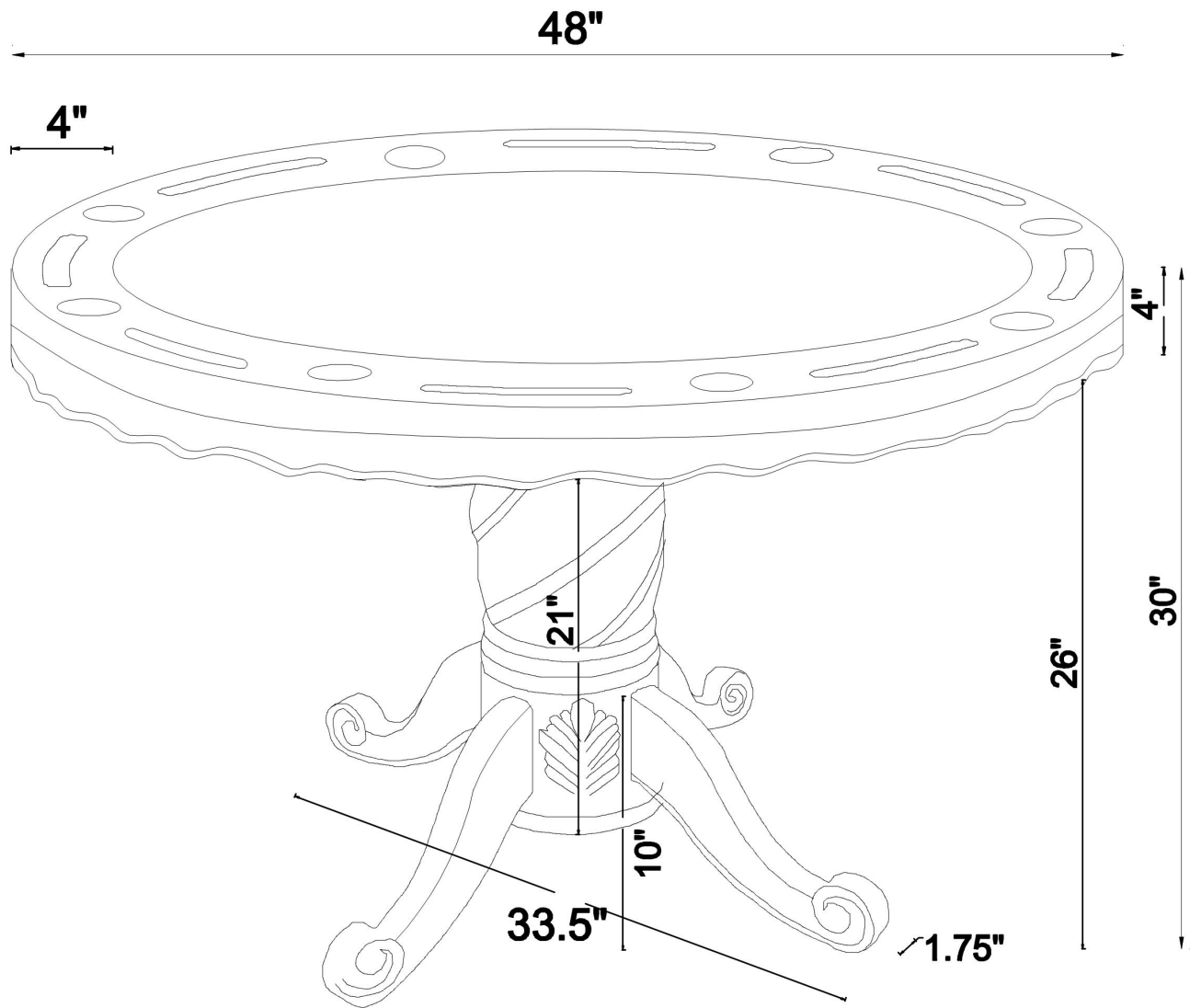
ITEM: **100871**



ASSEMBLY INSTRUCTIONS
LOWER BED END
STEP 3



ITEM: **100871**



Note: Dimension tolerance $\pm 5\%$