

ASSEMBLY INSTRUCTIONS
COASTER FINE FURNITURE



Fine Furniture for every stage of life

100872
ARM CHAIR

ITEM: **100872**



ASSEMBLY INSTRUCTIONS

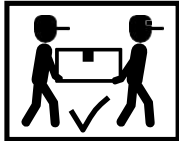
ASSEMBLY TIPS:

1. Remove hardware from box and sort by size.
2. Please check to see that all hardware and parts are present prior to start of assembly.
3. Please follow attached instructions in the same sequence as numbered to assure fast & easy assembly.



WARNING!

1. Don't attempt to repair or modify parts that are broken or defective. Please contact the store immediately.
2. This product is for home use only and not intended for commercial establishments.



ASSEMBLY TIME

15 MINUTES





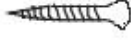
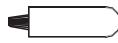





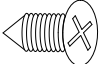

PARTS IDENTIFICATION

AA	LEFT ARMREST		1
AB	RIGHT ARMREST		1
B	BACKREST		1
C	SEAT		1
D	BASE		1
E	CASTER		5
F	WOODEN COVER		1
G	SEAT PLATE		1
H	SUPPORTING BAR		1

ITEM:100872



HARDWARE IDENTIFICATION

1	LEFT ARMREST(1/4*45)		2
2	RIGHTARMREST(1/4*25)		4
3	METAL WASHER(5/16*19)		10
4	HEX NUT(5/16*13)		4
5	SCREW(8*4*50)		2
6	GLUE		1
7	ALLEN WRENCH(1/4)		1
8	SPANNER(5/16)		1
9	WOODEN PLUG(12.5*9)		2
10	LARGE SPRING WASHER(5*16)		4
11	SMALL SPRING WASHER(1/4)		6
12	WOOD SCREW(3*12)		4
13	SLICE SWITCHING(10*10)		2

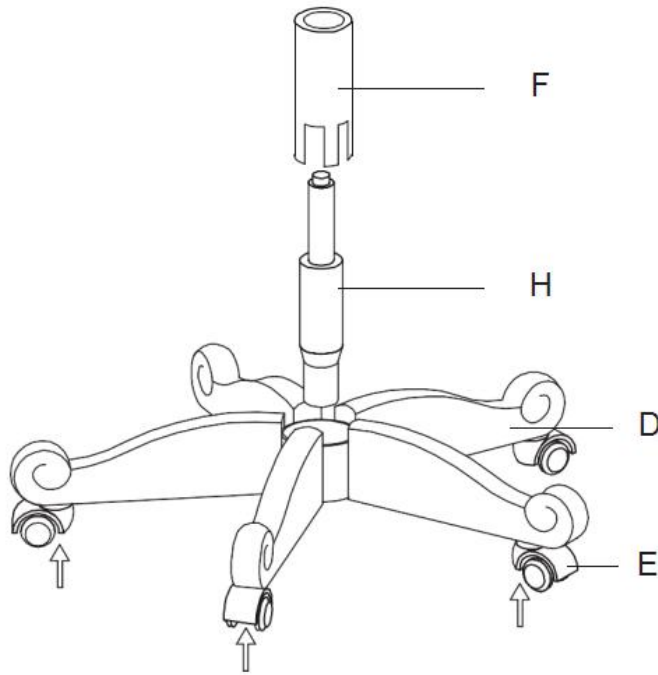
NOTE:

Phillips head screw driver is required in the assembly process; however, manufacturer does not provide this item.

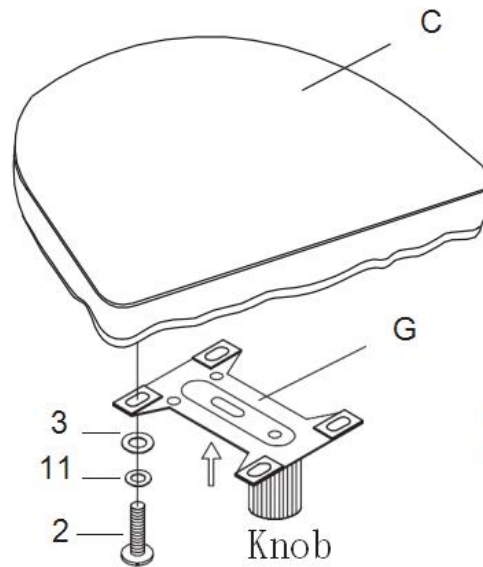
ITEM: **100872**



ASSEMBLY INSTRUCTIONS
LOWER BED END
STEP 1



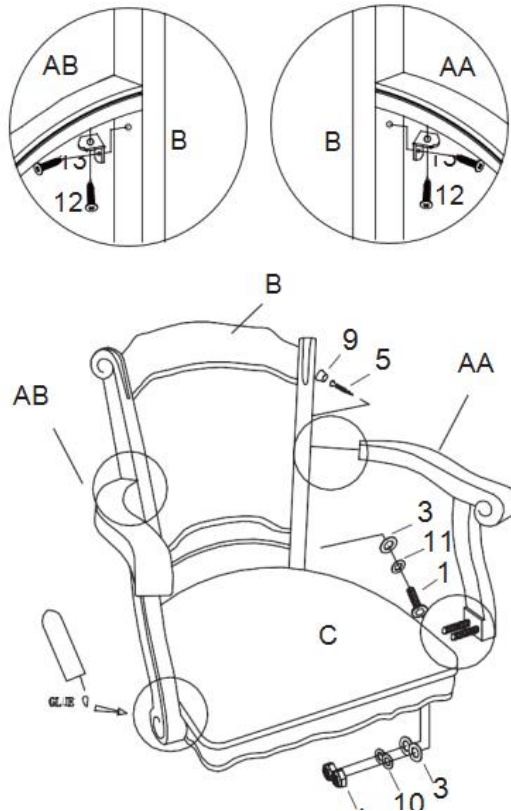
UPPER BED END
STEP 2



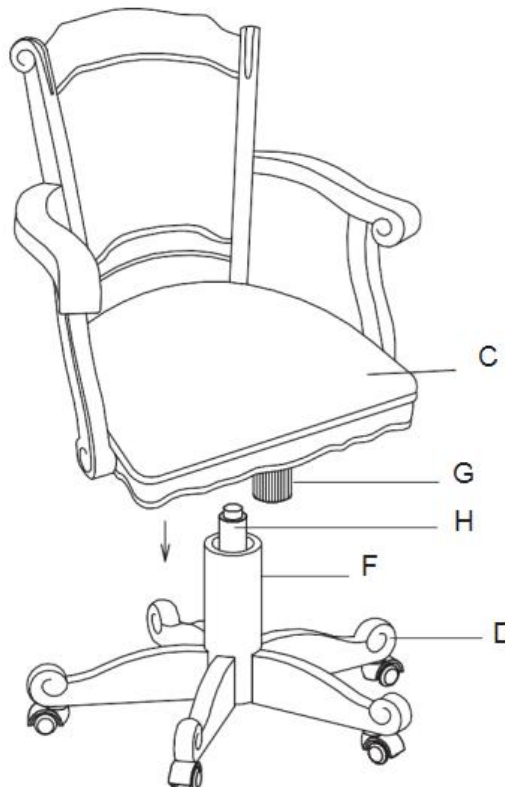
ITEM: **100872**



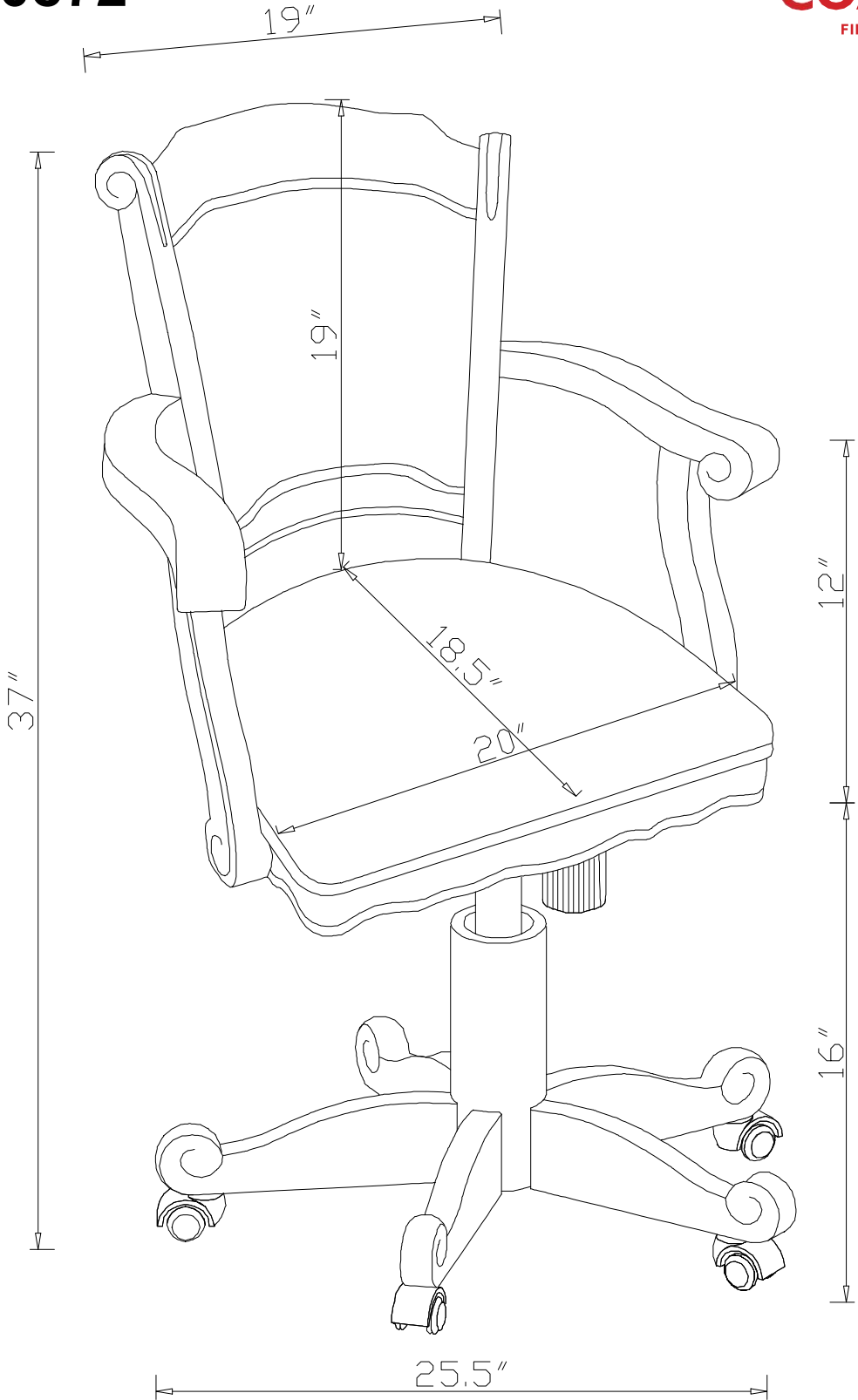
ASSEMBLY INSTRUCTIONS
LOWER BED END
STEP 3



UPPER BED END
STEP 4



ITEM: **100872**



Note: Dimension tolerance $\pm 5\%$