

ASSEMBLY INSTRUCTIONS
COASTER FINE FURNITURE



Fine Furniture for every stage of life

350044F
Full/Queen Electric
Adjustable Bed Base

ITEM:350044F



ASSEMBLY INSTRUCTIONS

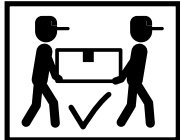
ASSEMBLY TIPS:

1. Remove hardware from box and sort by size.
2. Please check to see that all hardware and parts are present prior to start of assembly.
3. Please follow attached instructions in the same sequence as numbered to assure fast & easy assembly.



WARNING !

1. Don't attempt to repair or modify parts that are broken or defective. Please contact the store immediately.
2. This product is for home use only and not intended for commercial establishment.



ASSEMBLY TIME

20 MINUTE

PARTS IDENTIFICATION

A HEAD BED FRAME		1PC	D SIDE MATTRESS STOPPER		4PCS
B FOOT BED FRAME		1PC	E FOOT MATTRESS STOPPER		1PC
C FEET		6PC	F CONNECTOR PLATE		3PCS

HARDWARE IDENTIFICATION

1 BOLT (3/8"x1-1/8" - WHT)		6PCS	5 CLIP (φ13x55mm - WHT)		2PCS
2 BOLT (5/16"x2-3/4" - BLK)		3PCS	6 WASHER (φ22mm - BLK)		6PCS
3 NUT (φ5/16" - BLK)		3PCS	7 ALLEN KEY (4x22x60mm - BLK)		1PC
4 INSERT PIN (φ10x36mm - WHT)		2PCS	8 WRENCH (WHT)		1PC

NOTE:

Phillips head screw driver is required in the assembly process; however, manufacturer does not provide this item.

ITEM: **350044F**



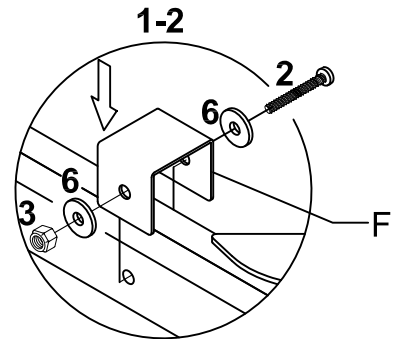
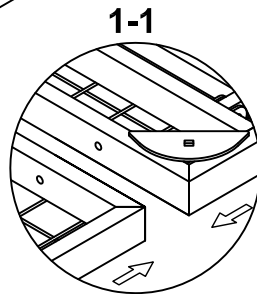
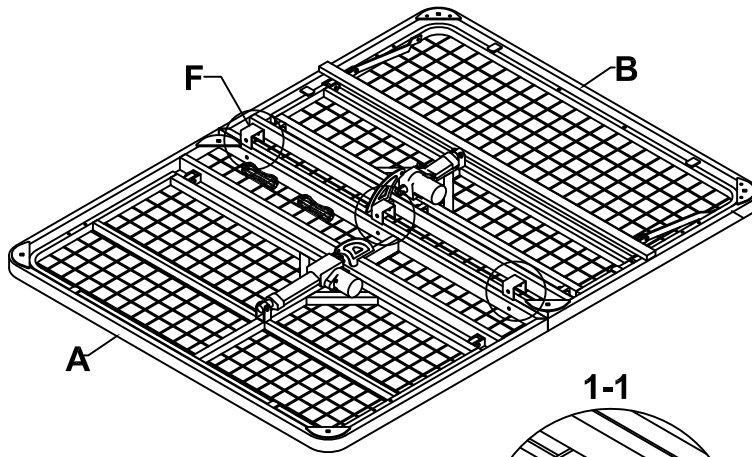
ASSEMBLY INSTRUCTIONS

STEP 1:

ASSEMBLY

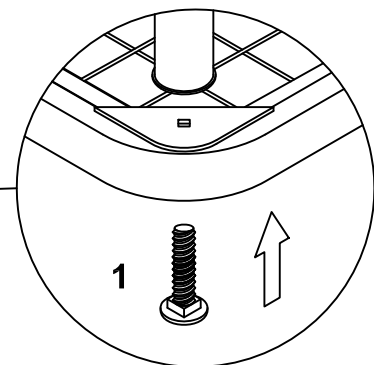
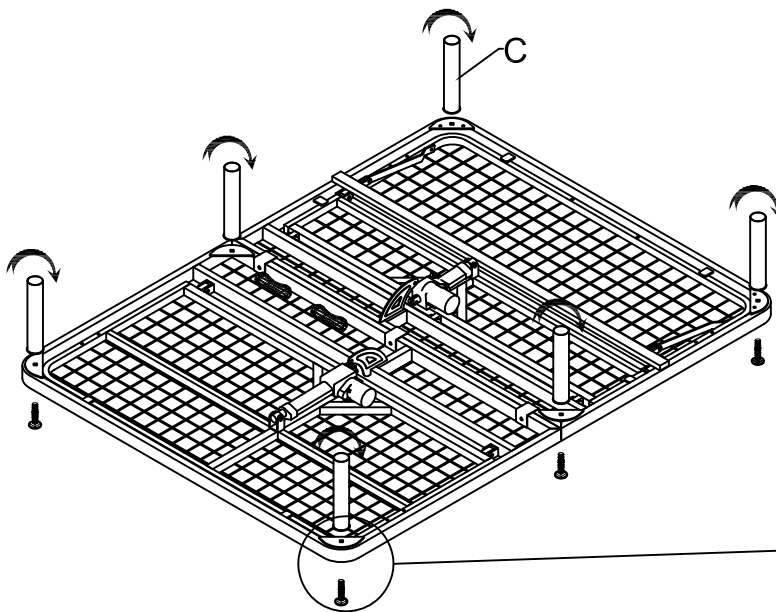
Do not fully tighten all bolts until assembly is complete.
This will help all parts to assemble properly.

2		3PCS
3		3PCS
6		6PCS
8		
7		



STEP 2:

1		6PCS
---	--	------

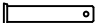



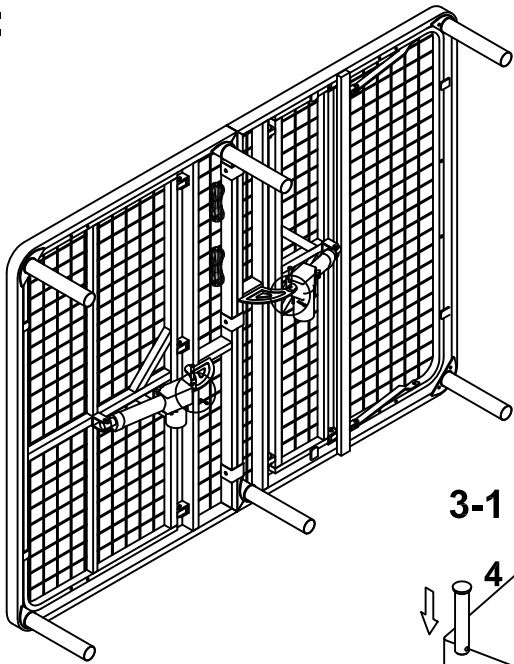
ITEM: **350044F**

ASSEMBLY INSTRUCTIONS

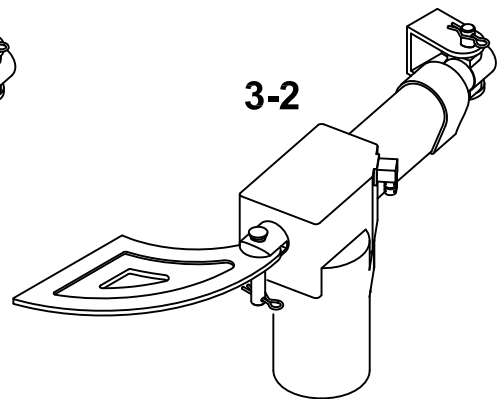
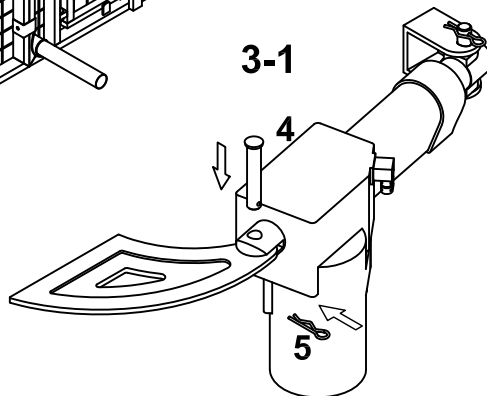
STEP 3:



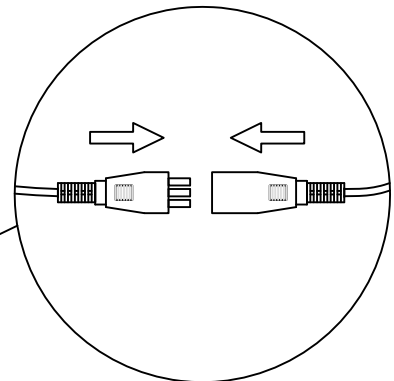
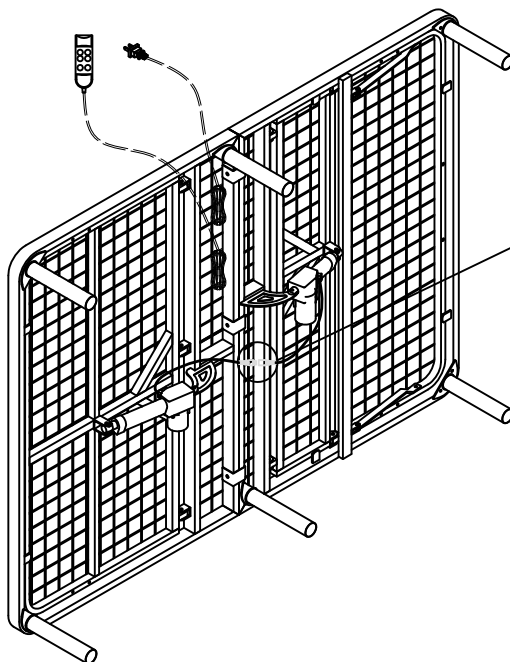
4		2PCS
5		2PCS



NOTE:
Please adjust the mesh frame to align the holes to ensure the part 4 easily assemble.



STEP 4:

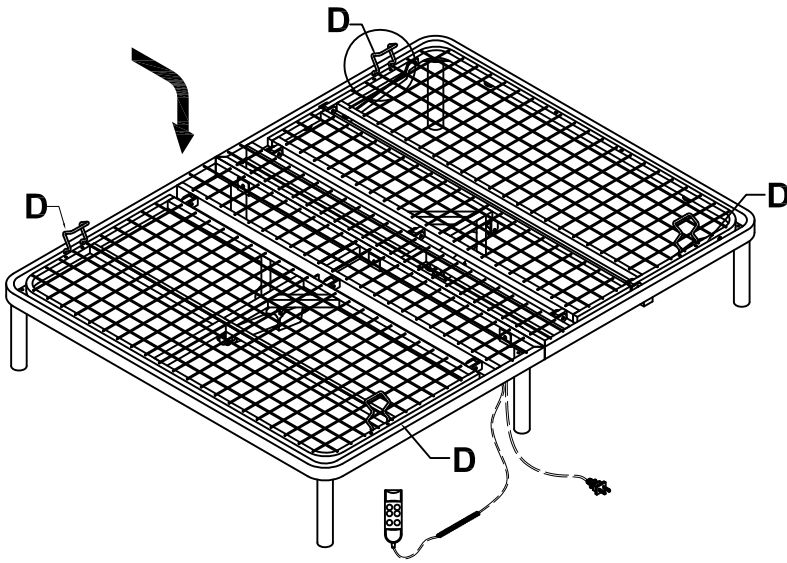


ITEM: **350044F**

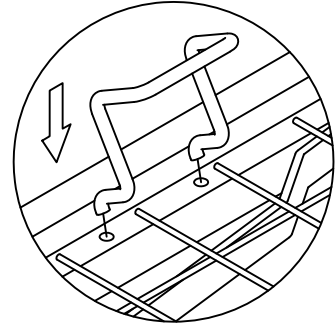
ASSEMBLY INSTRUCTIONS



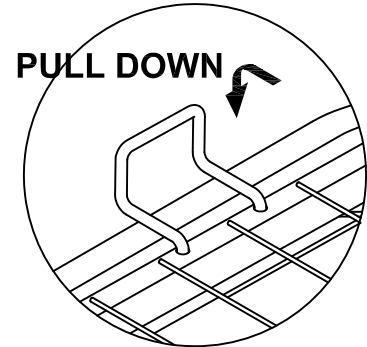
STEP 5:



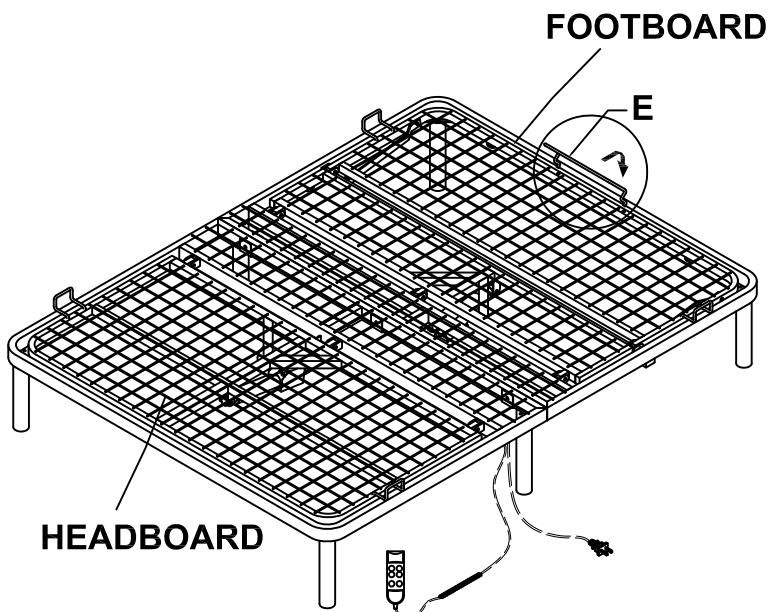
5-1



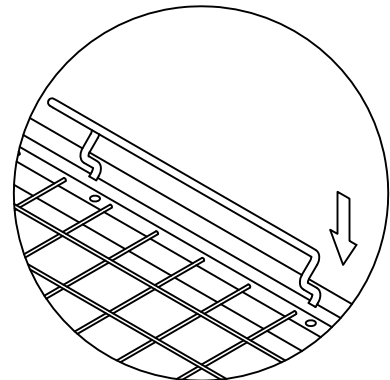
5-2



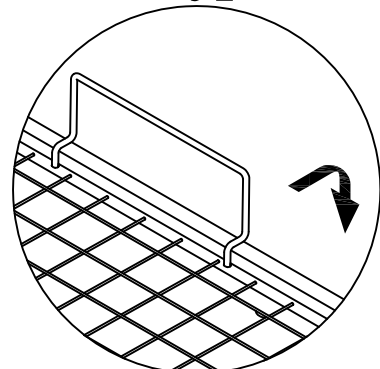
STEP 6:



6-1

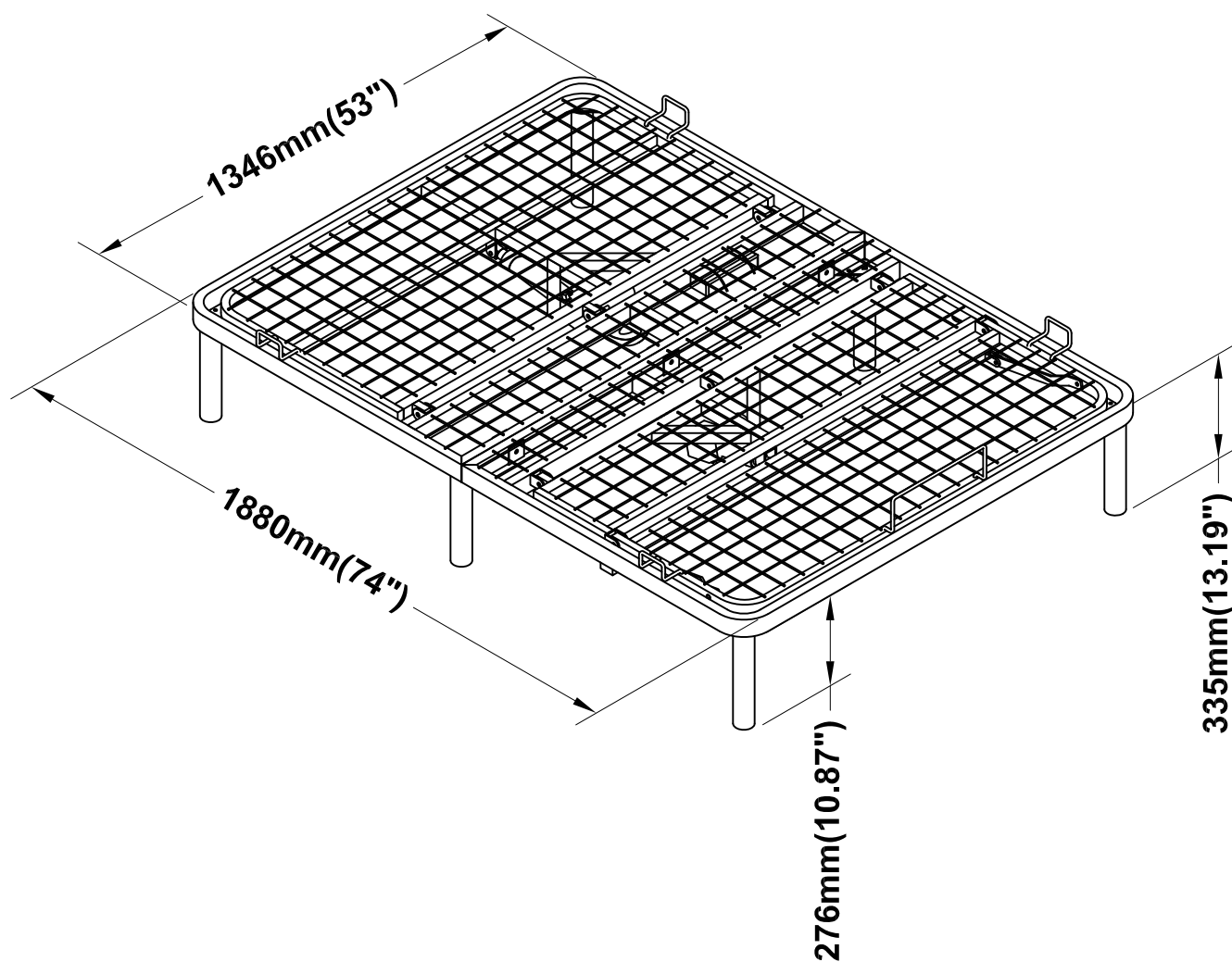


6-2



ITEM: **350044F**

COASTER[®]
FINE FURNITURE



Note : Dimension tolerance $\pm 5\%$