

ASSEMBLY INSTRUCTIONS
COASTER FINE FURNITURE



Fine Furniture for every stage of life

360063(B1-B2)
Sofa / Sofa bed

ITEM: 360063(B1-B2)



ASSEMBLY INSTRUCTIONS

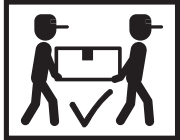
ASSEMBLY TIPS:

1. Remove hardware from box and sort by size.
2. Please check to see that all hardware and parts are present prior to start of assembly.
3. Please follow attached instructions in the same sequence as numbered to assure fast & easy assembly.



WARNING!

1. Don't attempt to repair or modify parts that are broken or defective. Please contact the store immediately.
2. This product is for home use only and not intended for commercial establishments.



ASSEMBLY TIME


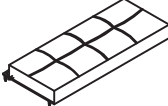
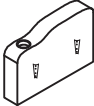

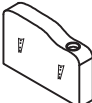
30 MINUTES

PARTS IDENTIFICATION

B1 (BOX 1)







DN	SOFA BED		1PC	F	TRUNDLE FRONT PLATE		1PC
----	----------	---	-----	---	---------------------	---	-----

B2 (BOX 2)

A	SOFA LEG		4PCS	EN	TRUNDLE		1PC
BN	LSF ARM		1PC	G	STRETCHER		1PC
CN	RSF ARM		1PC				

HARDWARE IDENTIFICATION

Z-B2(BOX 2) - HARDWARE PACK IS LOCATED IN 360063 (B2)

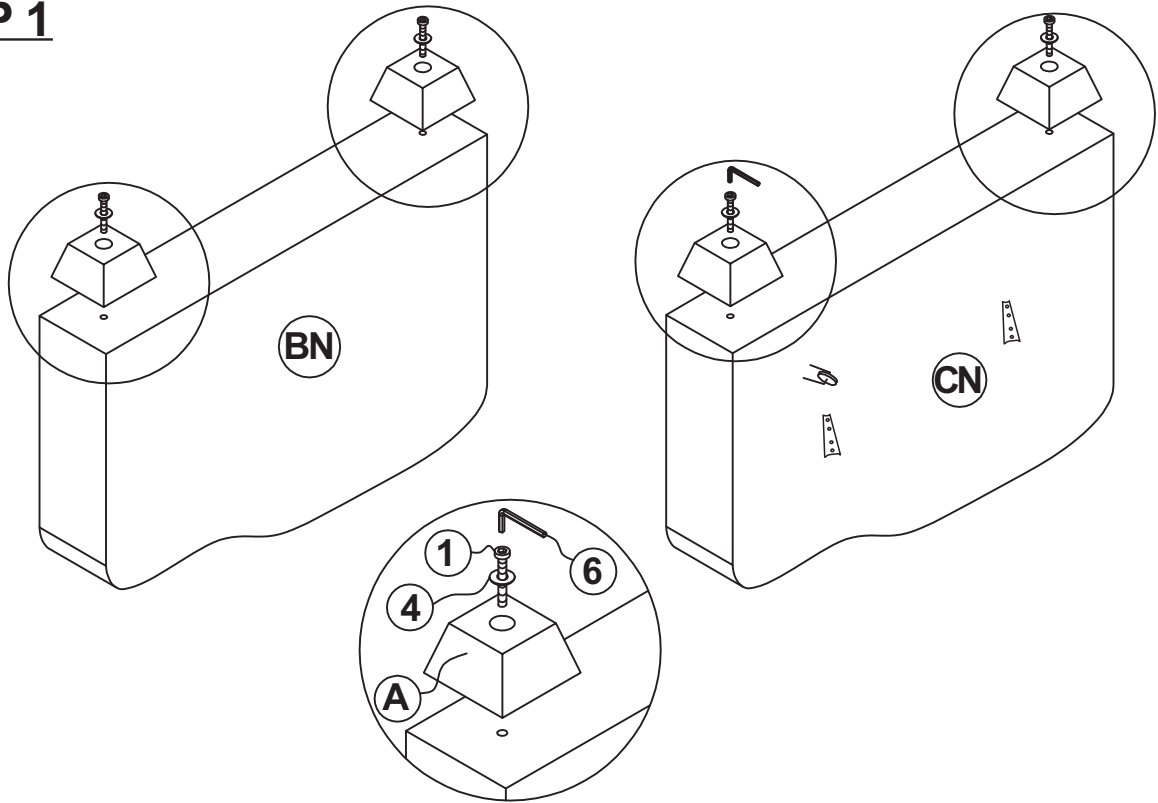
1	BOLT(ØM8 x3-1/4"L)		4PCS	4	WASHER(Ø8.5MM)		8PCS
2	BOLT(ØM8 x1-1/4"L)		4PCS	5	WASHER(Ø6.5MM)		4PCS
3	SCREW(Ø4MM x 1-1/4"L)		4PCS	6	ALLEN KEY(Ø1/4")		1PC

ITEM: 360063(B1-B2)

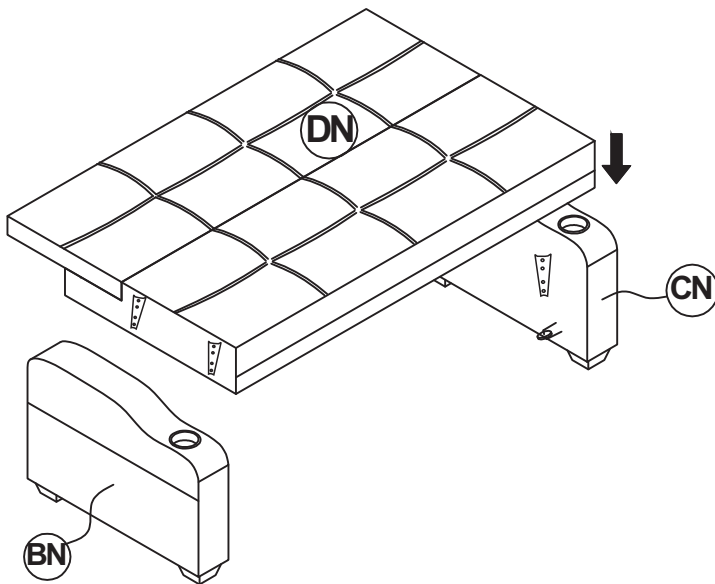
ASSEMBLY INSTRUCTIONS



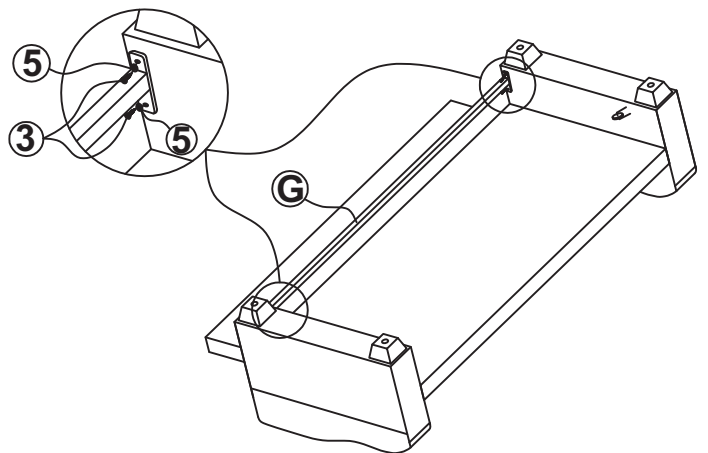
STEP 1



STEP 2



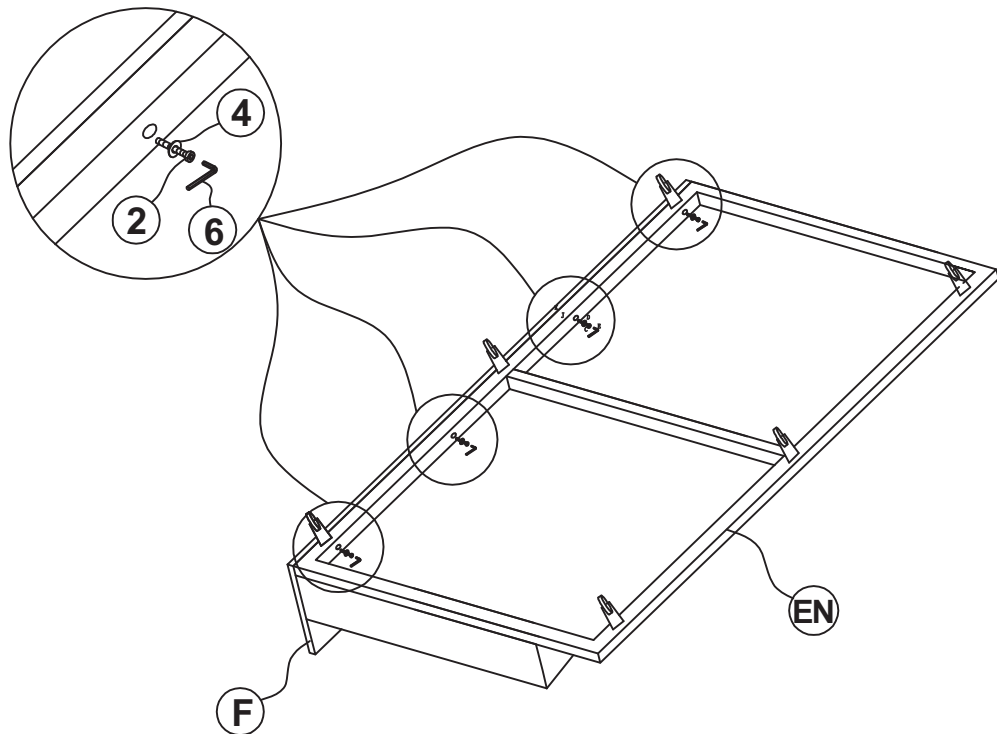
STEP 3



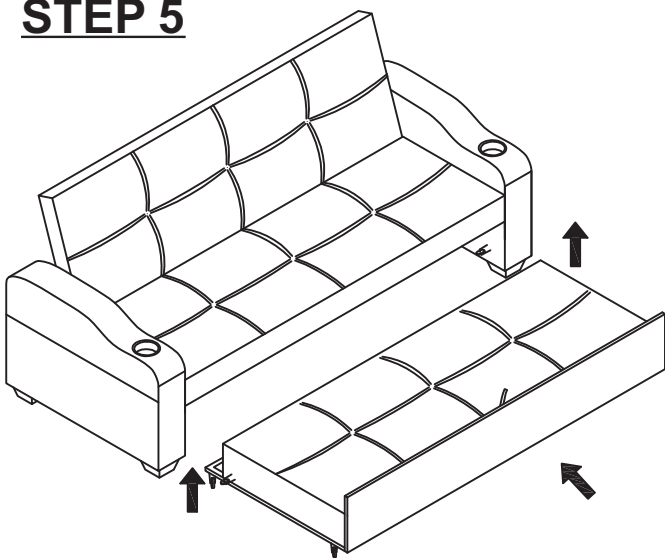
ITEM: 360063(B1-B2)
ASSEMBLY INSTRUCTIONS



STEP 4

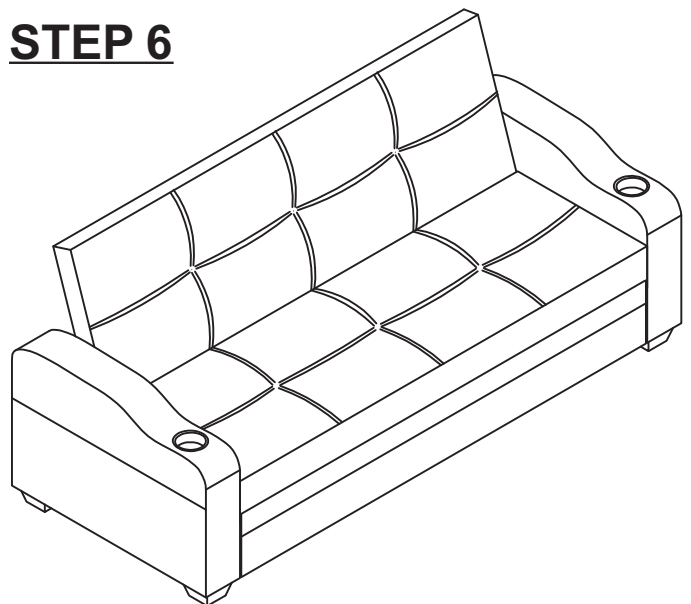


STEP 5



Lift up the trundle to the proper position, slide in the trundle to the bottom track, push the trundle to the end position.

STEP 6



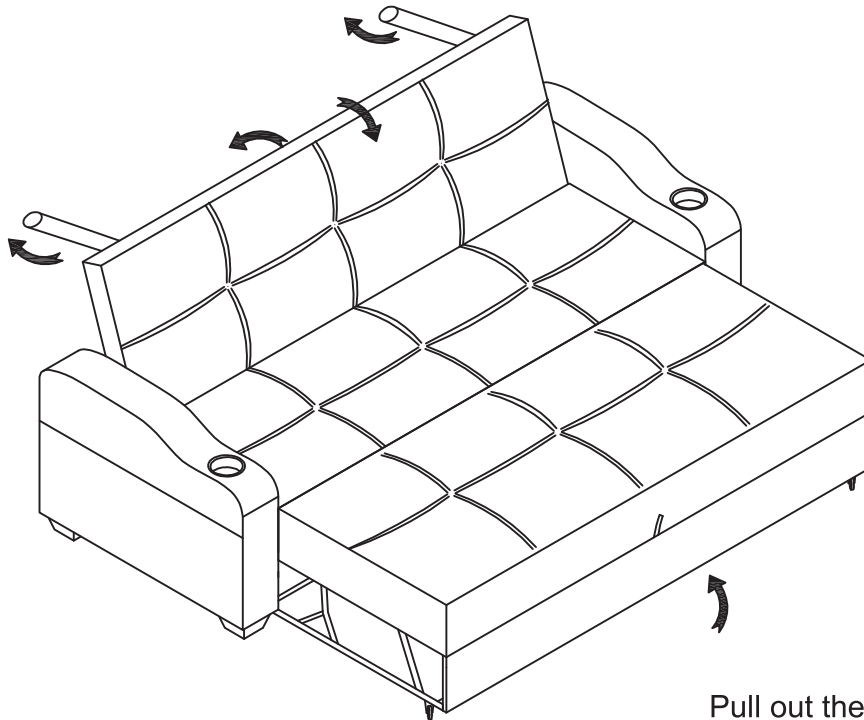
Assembly completed.

ITEM: 360063(B1-B2)

ASSEMBLY INSTRUCTIONS

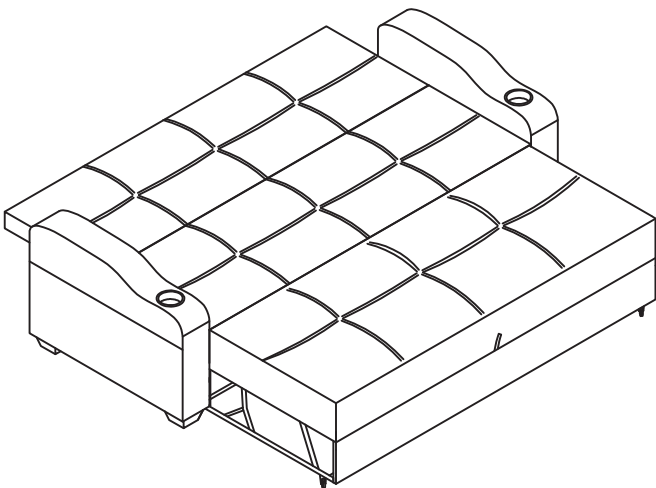


STEP 7



Pull out the trundle and pull up the tie in order to raise up the trundle.

STEP 8

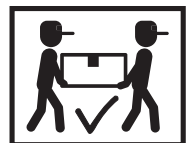


Bed position completed.

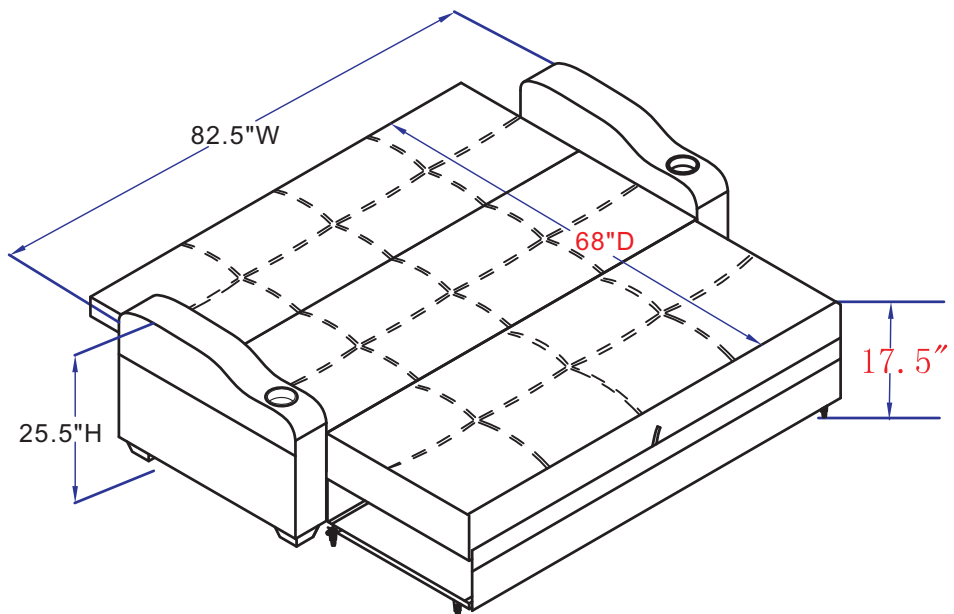
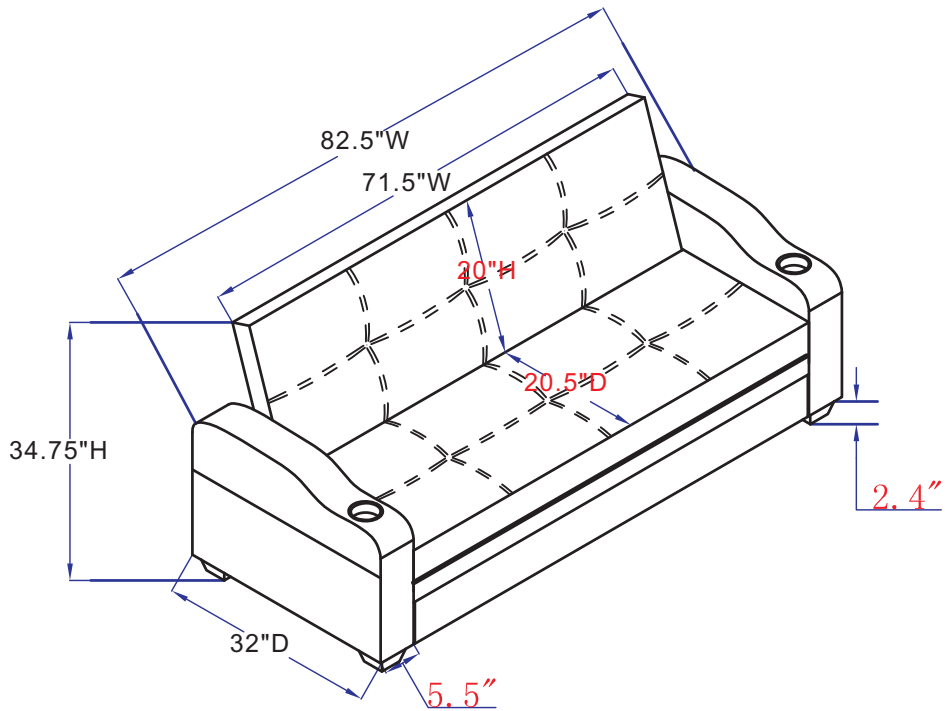
WARNING!

To prevent serious hazards or injuries from entrapment or improper use of the product:

- Never put hands or fingers close to the side of the trundle while operate it.
- Never allow children to operate or play close to the side of the trundle.



ITEM: 360063(B1-B2)



Note : Dimension tolerance $\pm 5\%$

