



ASSEMBLY INSTRUCTIONS COASTER FINE FURNITURE



Fine Furniture for every stage of life

721038
Coffee Table

REVISION 0 : 05/08/2017
REVISION 1 : 06/17/2019
REVISION 2 : 10/18/2019

PAGE 1 OF 4

COASTERFURNITURE.COM

ITEM:721038



ASSEMBLY INSTRUCTIONS

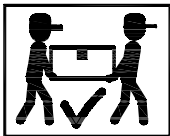
ASSEMBLY TIPS:

1. Remove hardware from box and sort by size.
2. Please check to see that all hardware and parts are present prior to start of assembly.
3. Please follow attached instructions in the same sequence as numbered to assure fast & easy assembly.



WARNING!

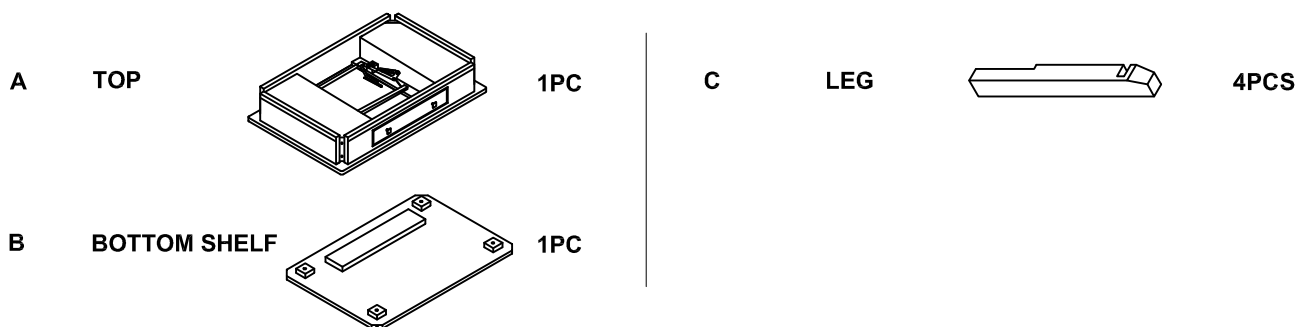
1. Don't attempt to repair or modify parts that are broken or defective. Please contact the store immediately.
2. This product is for home use only and not intended for commercial establishments.



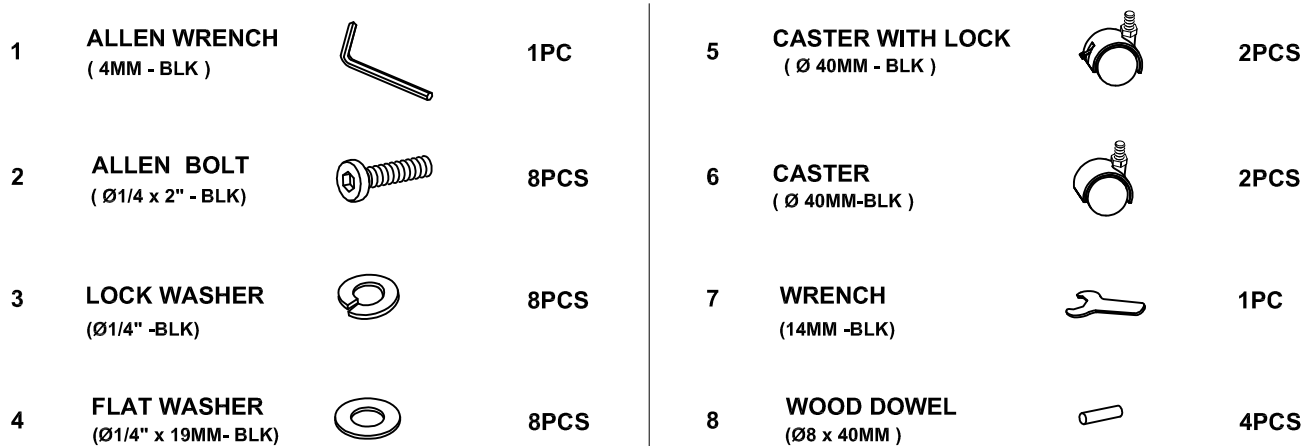
ASSEMBLY TIME

30 MINUTES

PARTS IDENTIFICATION



HARDWARE IDENTIFICATION



NOTE:

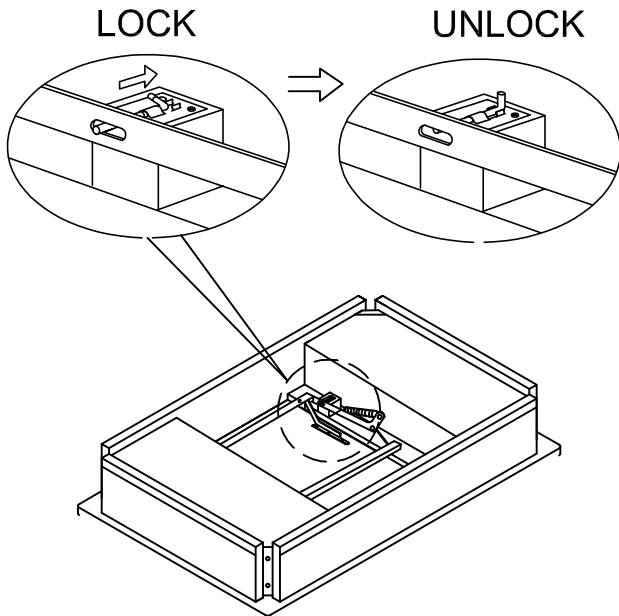
Phillips head screw driver is required in the assembly process; however, manufacturer does not provide this item.

ITEM: 721038

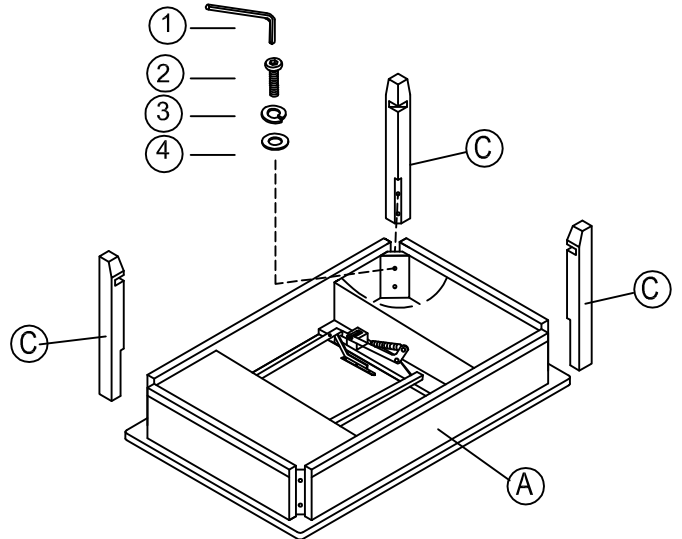
ASSEMBLY INSTRUCTIONS



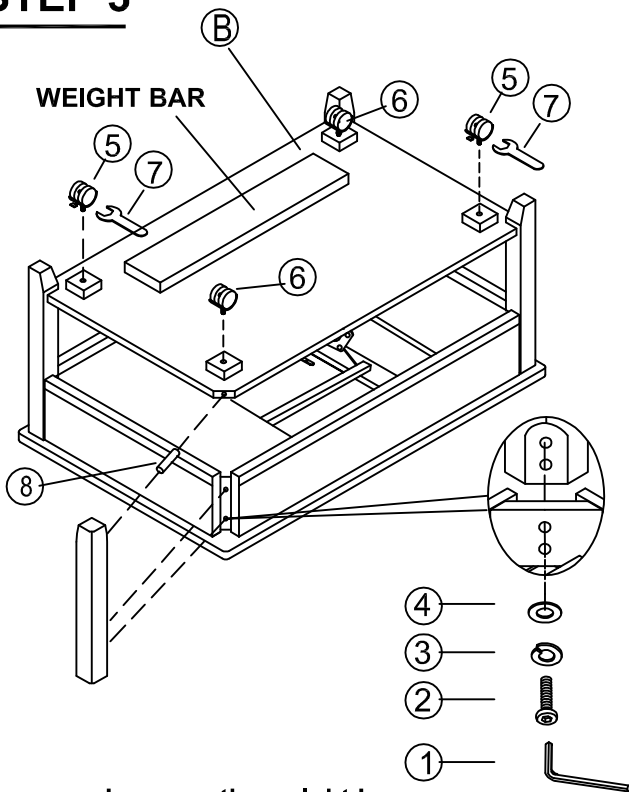
STEP 1



STEP 2

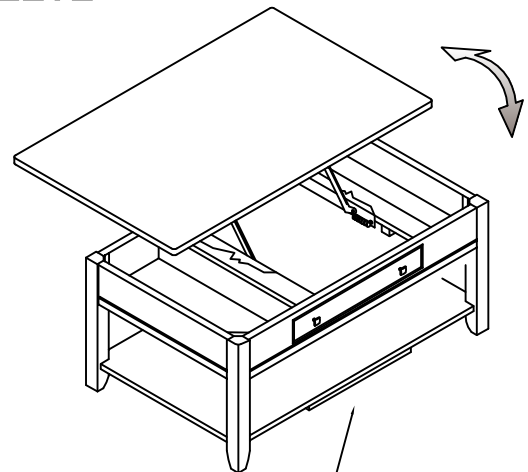


STEP 3

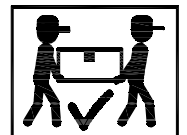


please makes sure the weight bar is located at the opposite of lift top direction. Do not assembled into wrong direction.

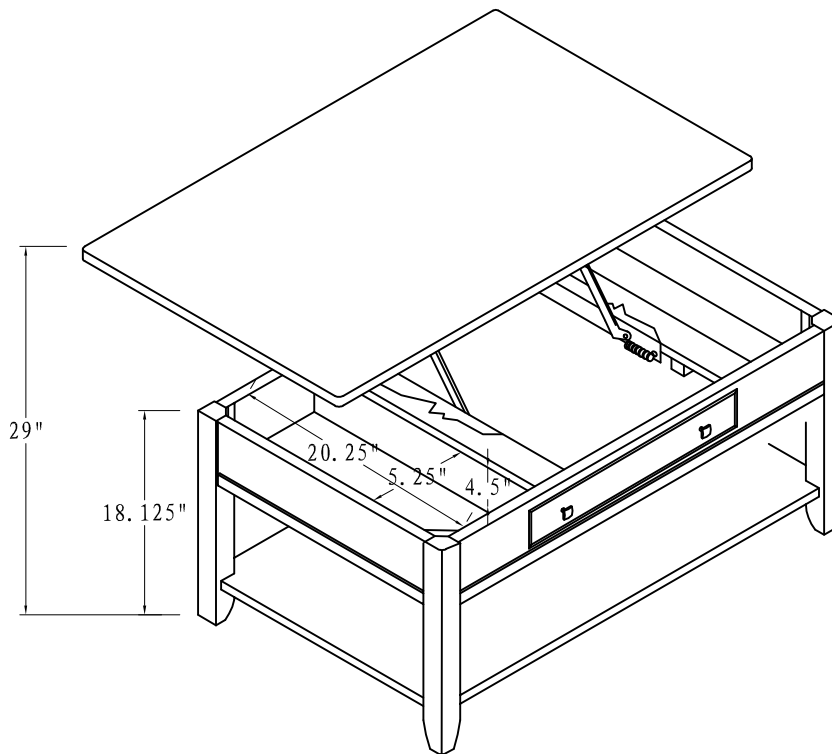
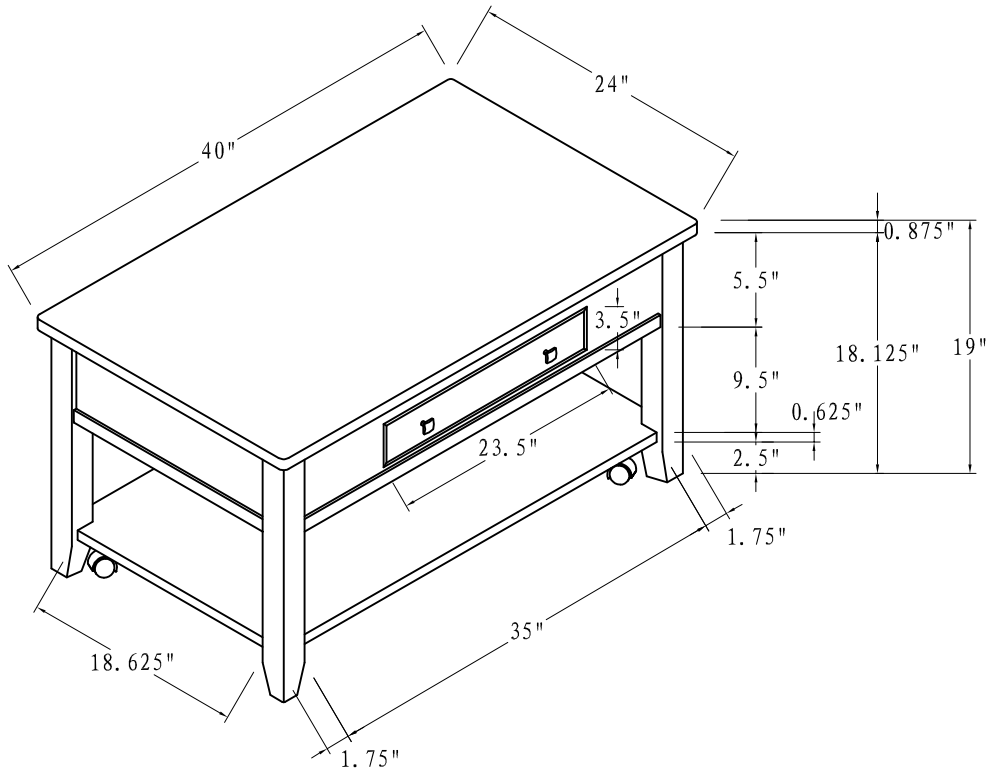
STEP 4
COMPLETE



please makes sure the weight bar is located at the opposite of lift top direction. Do not assembled into wrong direction.



ITEM: 721038



Note : Dimension tolerance $\pm 5\%$