

**ASSEMBLY INSTRUCTIONS**  
**COASTER FINE FURNITURE**



*Fine Furniture for every stage of life*

**804436**  
**Gaming Desk**

# ITEM:804436



## ASSEMBLY INSTRUCTIONS

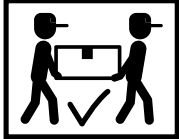
### ASSEMBLY TIPS:

1. Remove hardware from box and sort by size.
2. Please check to see that all hardware and parts are present prior to start of assembly.
3. Please follow attached instructions in the same sequence as numbered to assure fast & easy assembly.



### WARNING !

1. Don't attempt to repair or modify parts that are broken or defective. Please contact the store immediately.
2. This product is for home use only and not intended for commercial establishment.



ASSEMBLY TIME

60 MINUTE

## PARTS IDENTIFICATION














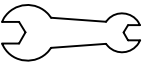
### B1 (BOX 1)

A RIGHT SIDE FRAME		1PC	J STOPPER		2PCS
B LEFT SIDE FRAME		1PC	K KEYBOARD BRACKET		4PCS
C TOP BACK CROSSBAR		1PC	L RIGHT SLIDE		1PC
D TOP FRONT CROSSBAR		1PC	M LEFT SLIDE		1PC
E SHELF SUPPORT TUBE		3PCS	N BACK SUPPORT		2PCS
F CUP HOLDER		1PC	O TOP SHELF BOARD		1PC
G HOOK		3PCS	P KEYBOARD SHELF		1PC
H SUPPORT BRACKET		2PCS	Q DESK TOP BOARD		1PC
I TRAY BOARD		2PCS			

### NOTE:

Phillips head screw driver is required in the assembly process; however, manufacturer does not provide this item.

## HARDWARE IDENTIFICATION

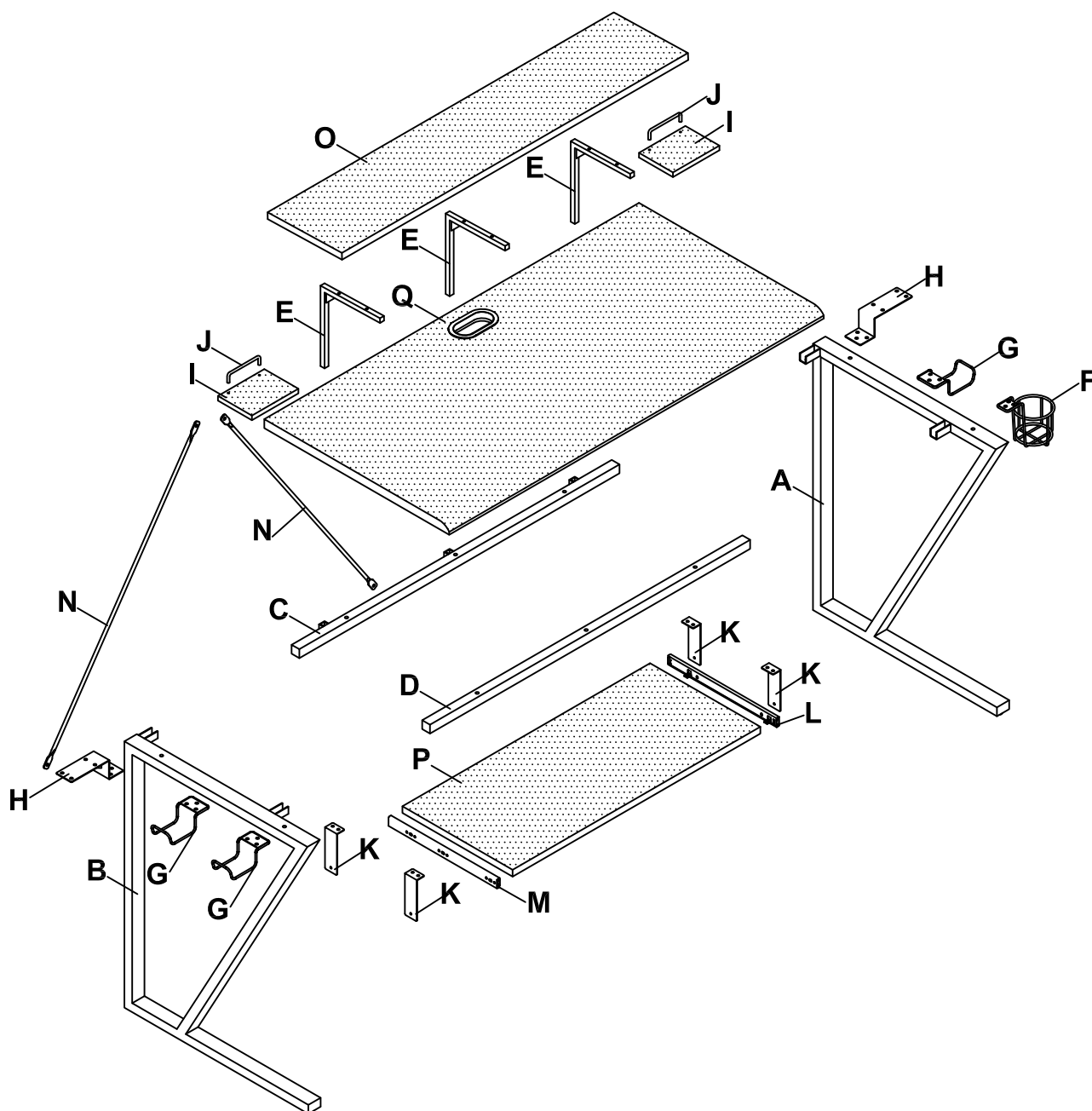
1	<b>BOLT</b> (1/4"x5/8" - BLK)		12PCS	8	<b>SCREW</b> (M4x25mm - BLK)		6PCS
2	<b>BOLT</b> (1/4"x1-1/2" - BLK)		4PCS	9	<b>SCREW</b> (M4x15mm - BLK)		4PCS
3	<b>BOLT</b> (3/16"x1/2" - BLK)		29PCS	10	<b>WASHER</b> ( $\phi$ 16mm - BLK)		16PCS
4	<b>BOLT</b> (3/16"x3/8" - BLK)		8PCS	11	<b>WASHER</b> ( $\phi$ 12mm - BLK)		57PCS
5	<b>BOLT</b> (3/16"x1/4" - BLK)		4PCS	12	<b>ALLEN WRENCH</b> (4x22x60mm - BLK)		1PC
6	<b>BOLT</b> (5/32"x18mm - BLK)		4PCS	13	<b>NUT</b> ( $\phi$ 3/16"x8mm - BLK)		4PCS
7	<b>SCREW</b> (M4x38mm - BLK)		6PCS	14	<b>WRENCH</b> (M8-11x68mm - WHT)		1PC

**NOTE:**

Phillips head screw driver is required in the assembly process; however, manufacturer does not provide this item.

ITEM:804436

**COASTER**  
FINE FURNITURE



ITEM:804436



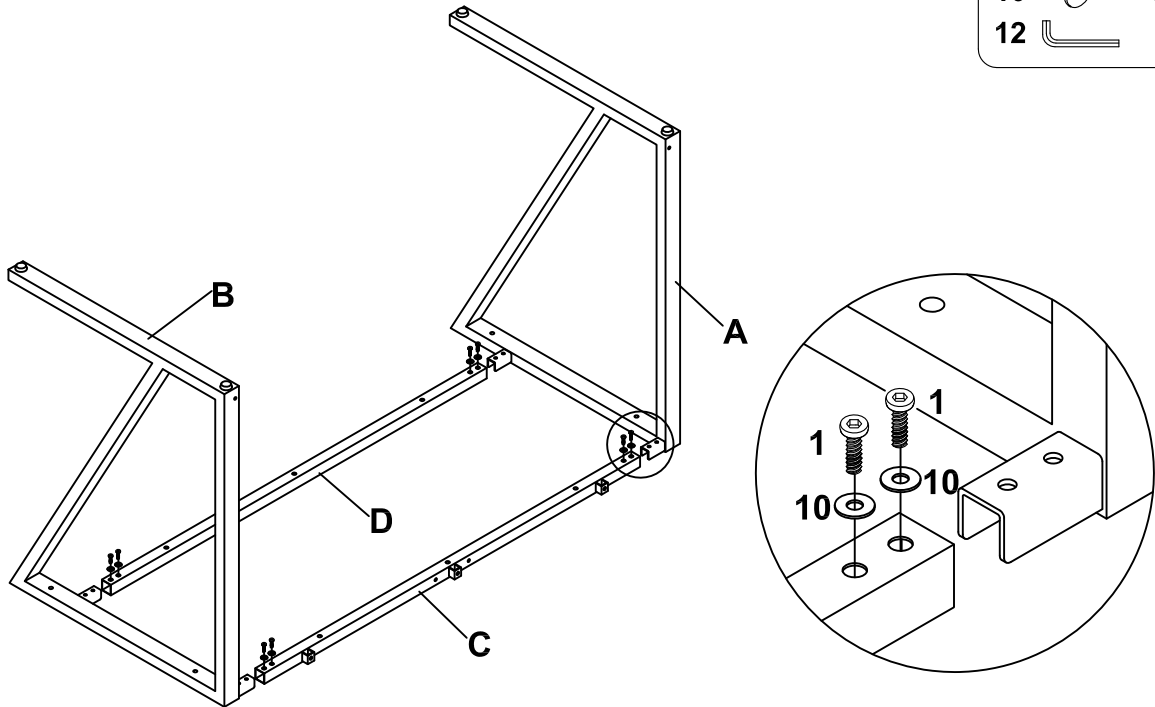
## ASSEMBLY INSTRUCTIONS

### STEP 1:

#### ASSEMBLY

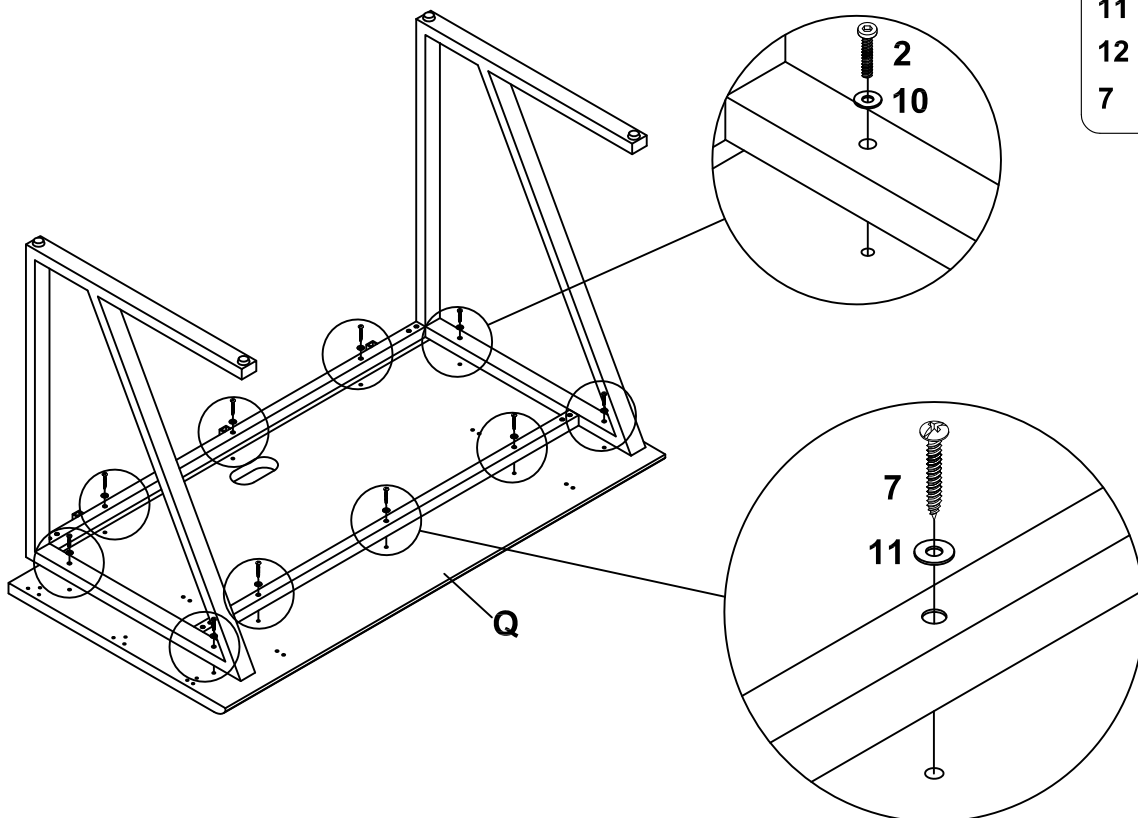
Do not fully tighten all bolts until assembly is complete.  
This will help all parts to assemble properly.

1		8PCS
10		8PCS
12		



### STEP 2:

2		4PCS
10		4PCS
11		6PCS
12		
7		6PCS



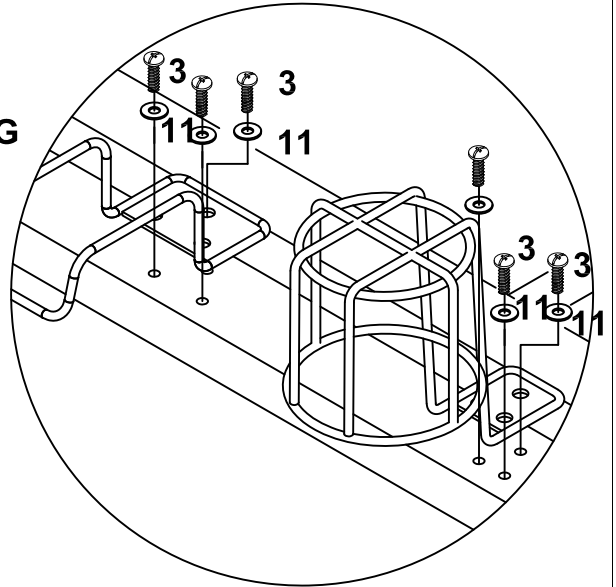
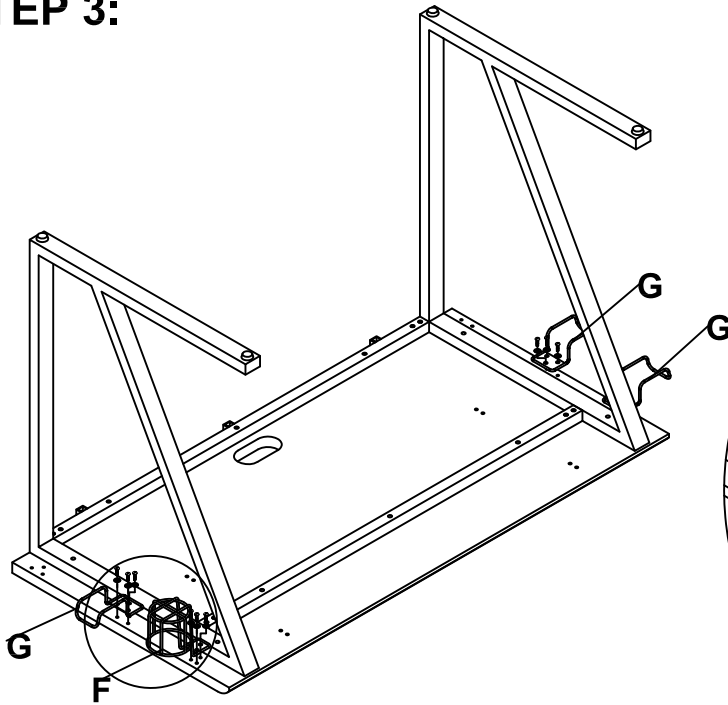
ITEM: **804436**

# ASSEMBLY INSTRUCTIONS

## STEP 3:

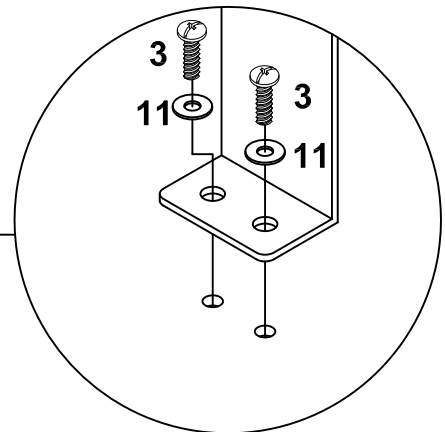
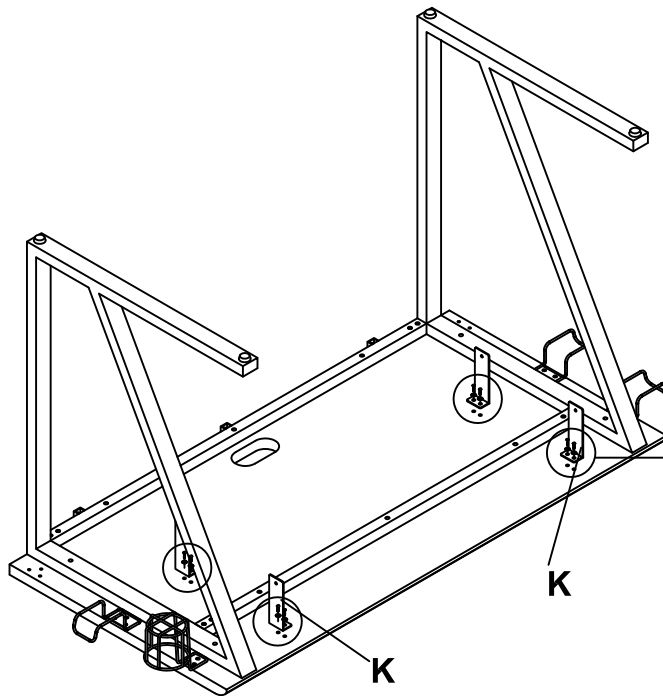


3		12PCS
11		12PCS



## STEP 4:

3		8PCS
11		8PCS



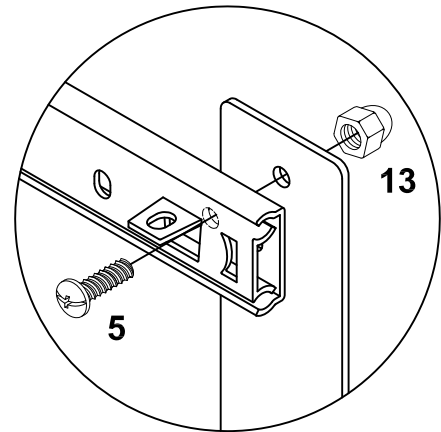
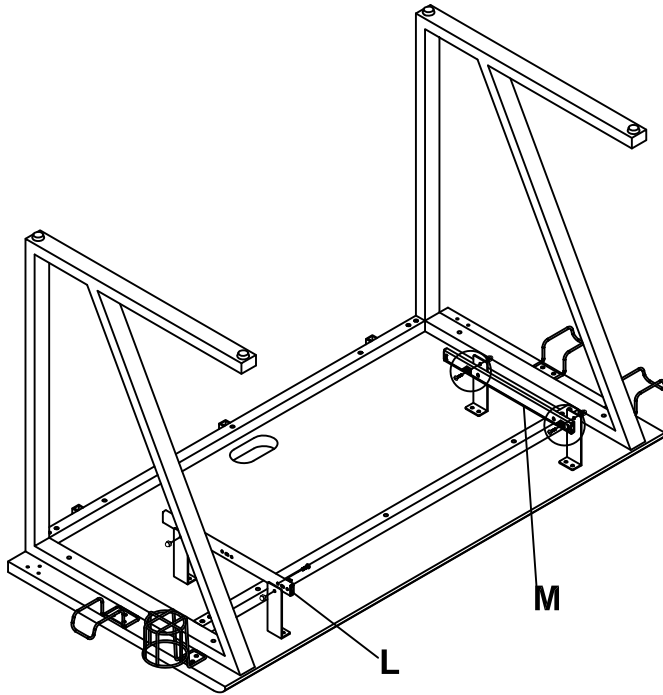
ITEM: **804436**

**ASSEMBLY INSTRUCTIONS**

**STEP 5:**

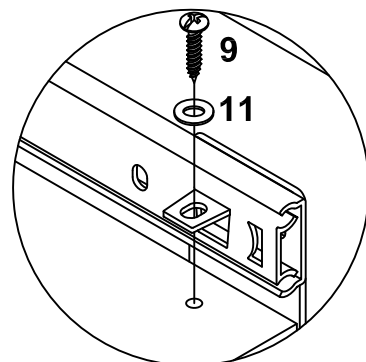
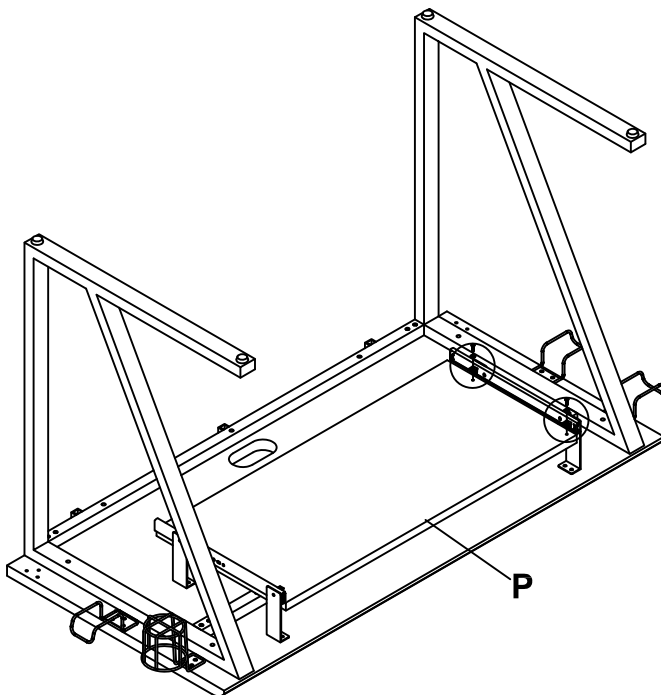


- |    |  |      |
|----|--|------|
| 5  |  | 4PCS |
| 13 |  | 4PCS |
| 14 |  |      |



**STEP 6:**

- |    |  |      |
|----|--|------|
| 9  |  | 4PCS |
| 11 |  | 4PCS |



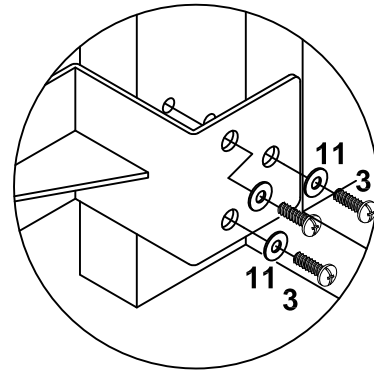
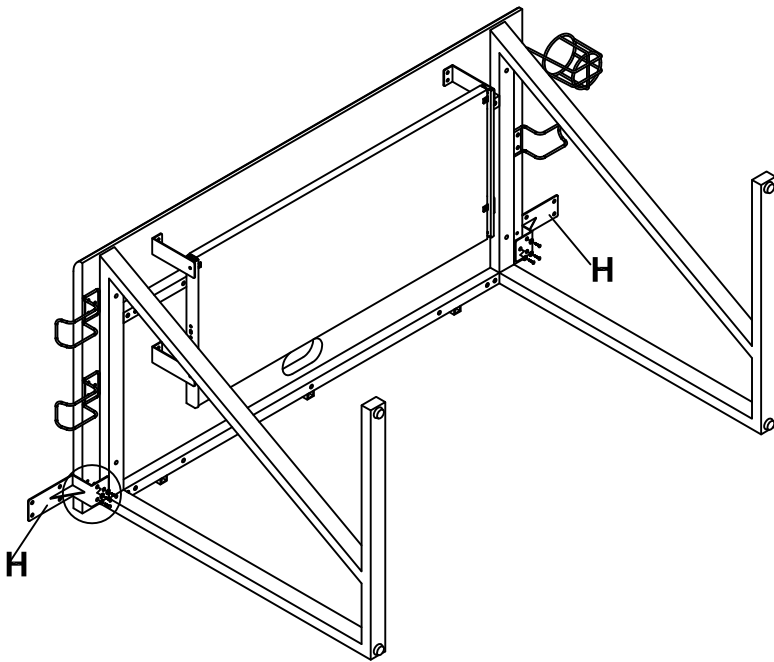
ITEM: **804436**

# ASSEMBLY INSTRUCTIONS

## STEP 7:

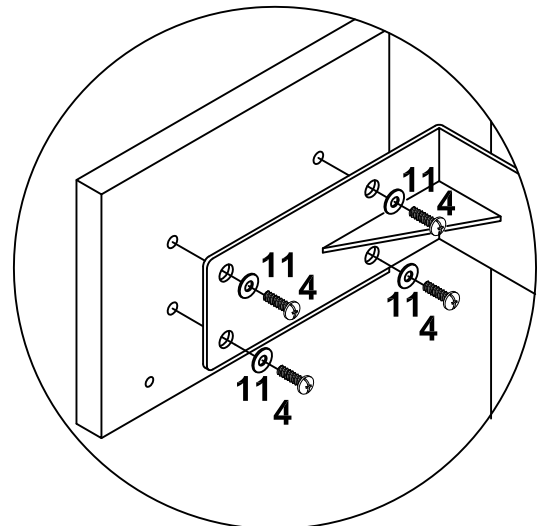
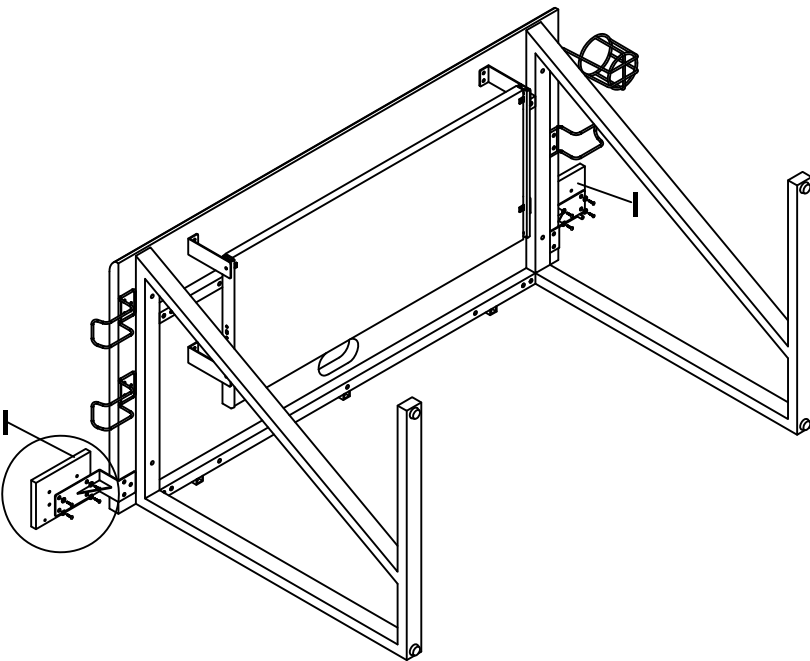


3		6PCS
11		6PCS



## STEP 8:

4		8PCS
11		8PCS





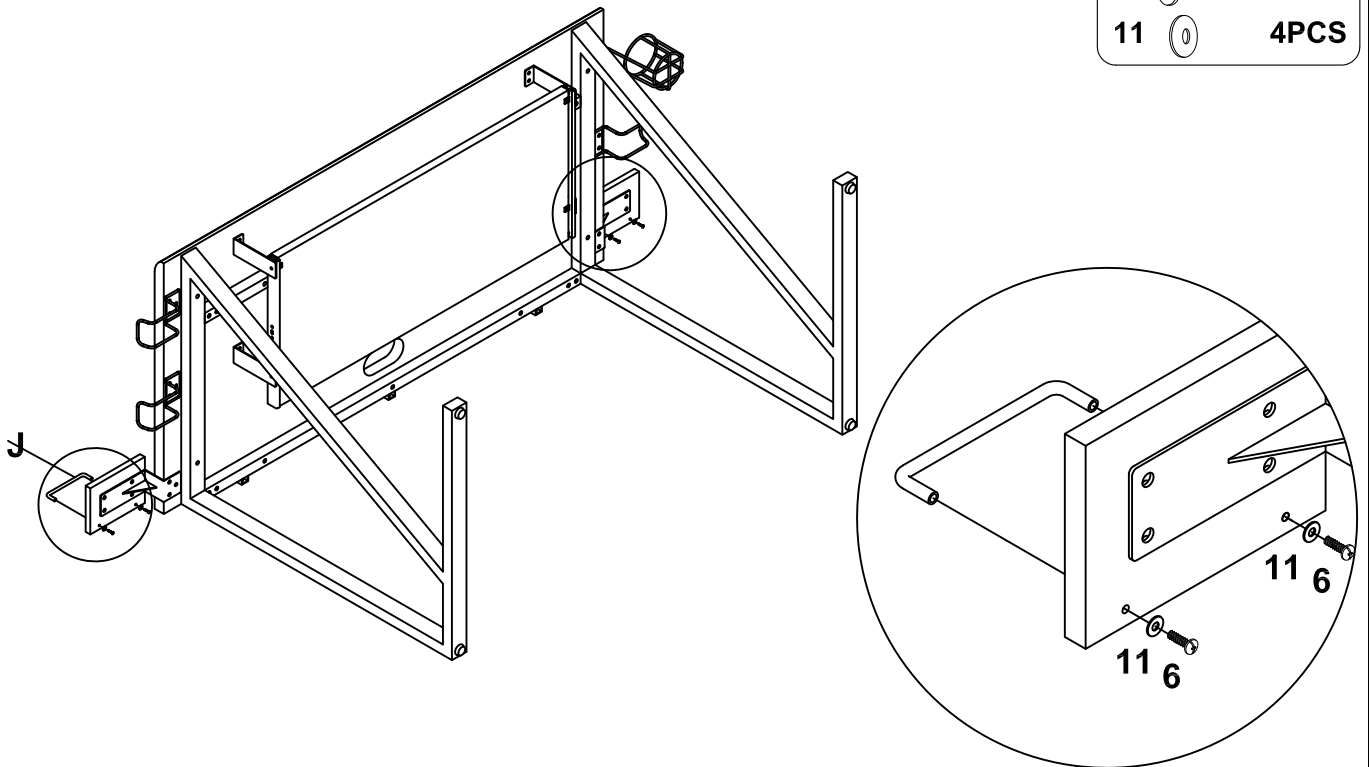
ITEM: **804436**

**ASSEMBLY INSTRUCTIONS**

**STEP 9:**

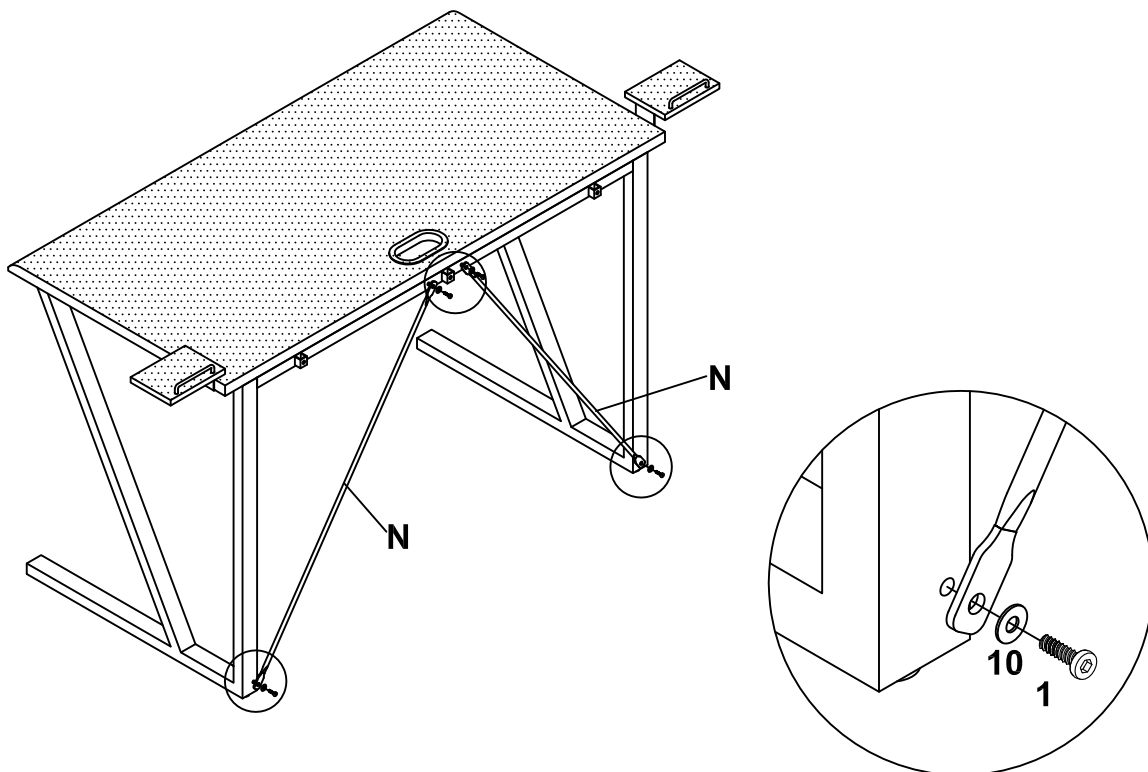


6		4PCS
11		4PCS



**STEP 10:**

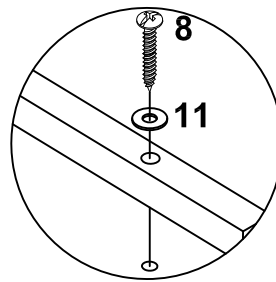
1		4PCS
10		4PCS
12		



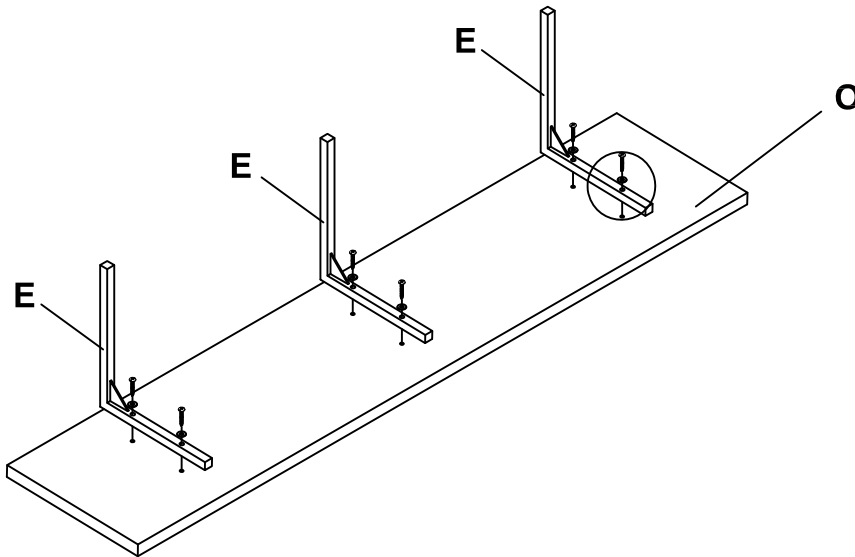
ITEM: **804436**

**ASSEMBLY INSTRUCTIONS**

**STEP 11:**

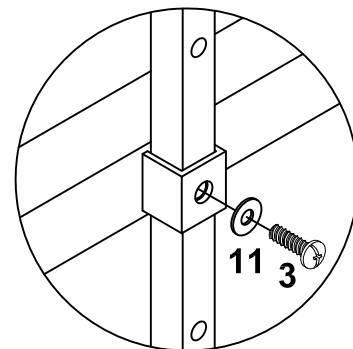
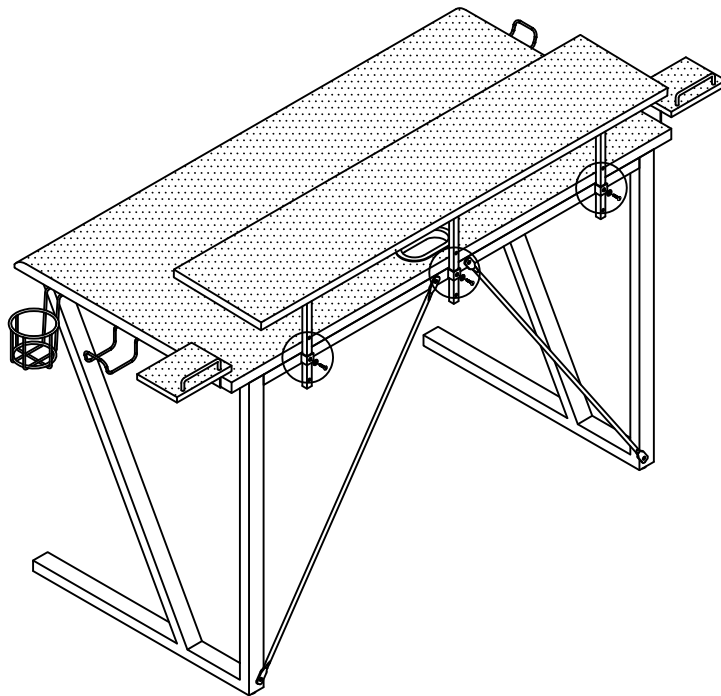


8		6PCS
11		6PCS



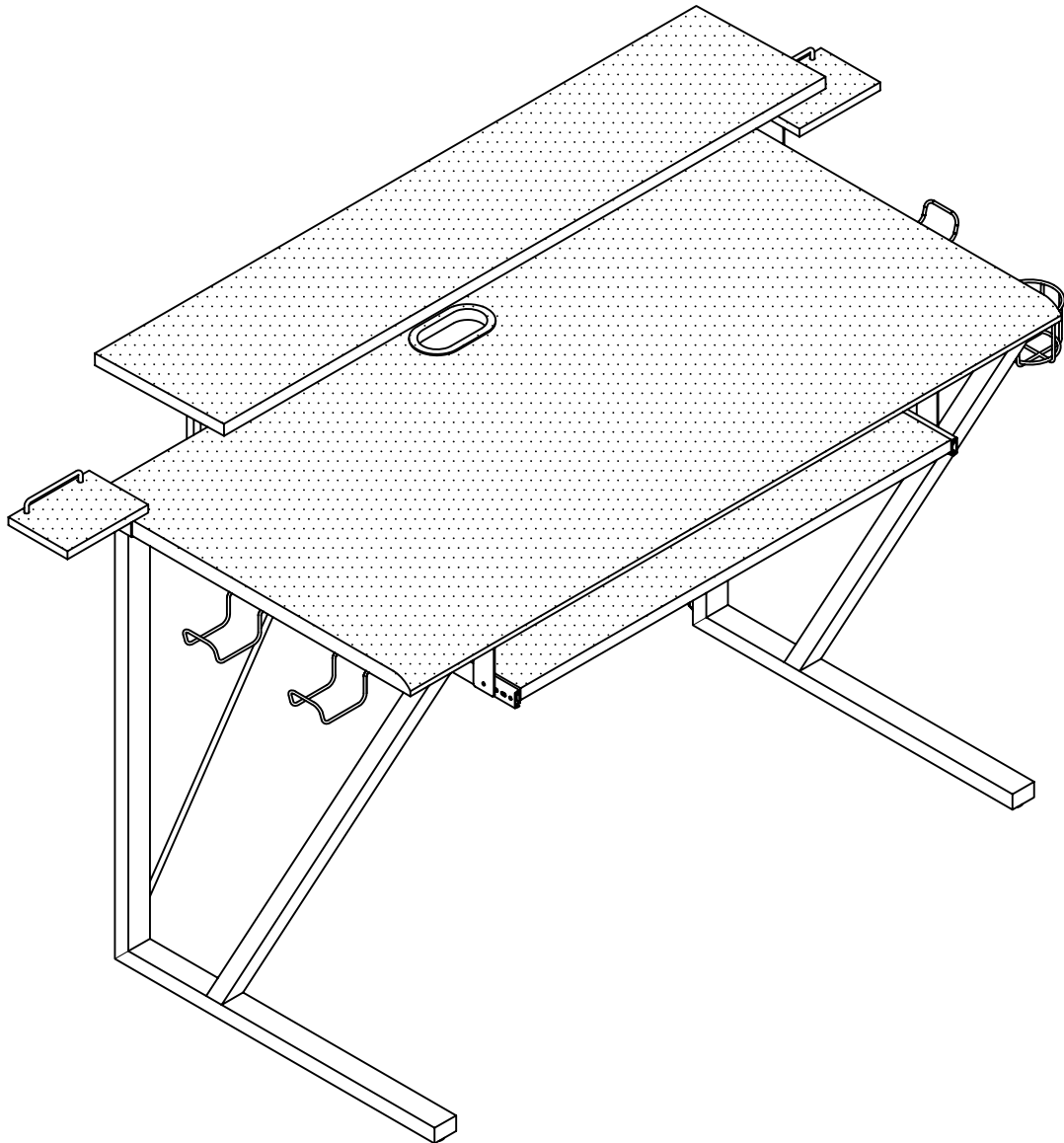
**STEP 12:**

3		3PCS
11		3PCS



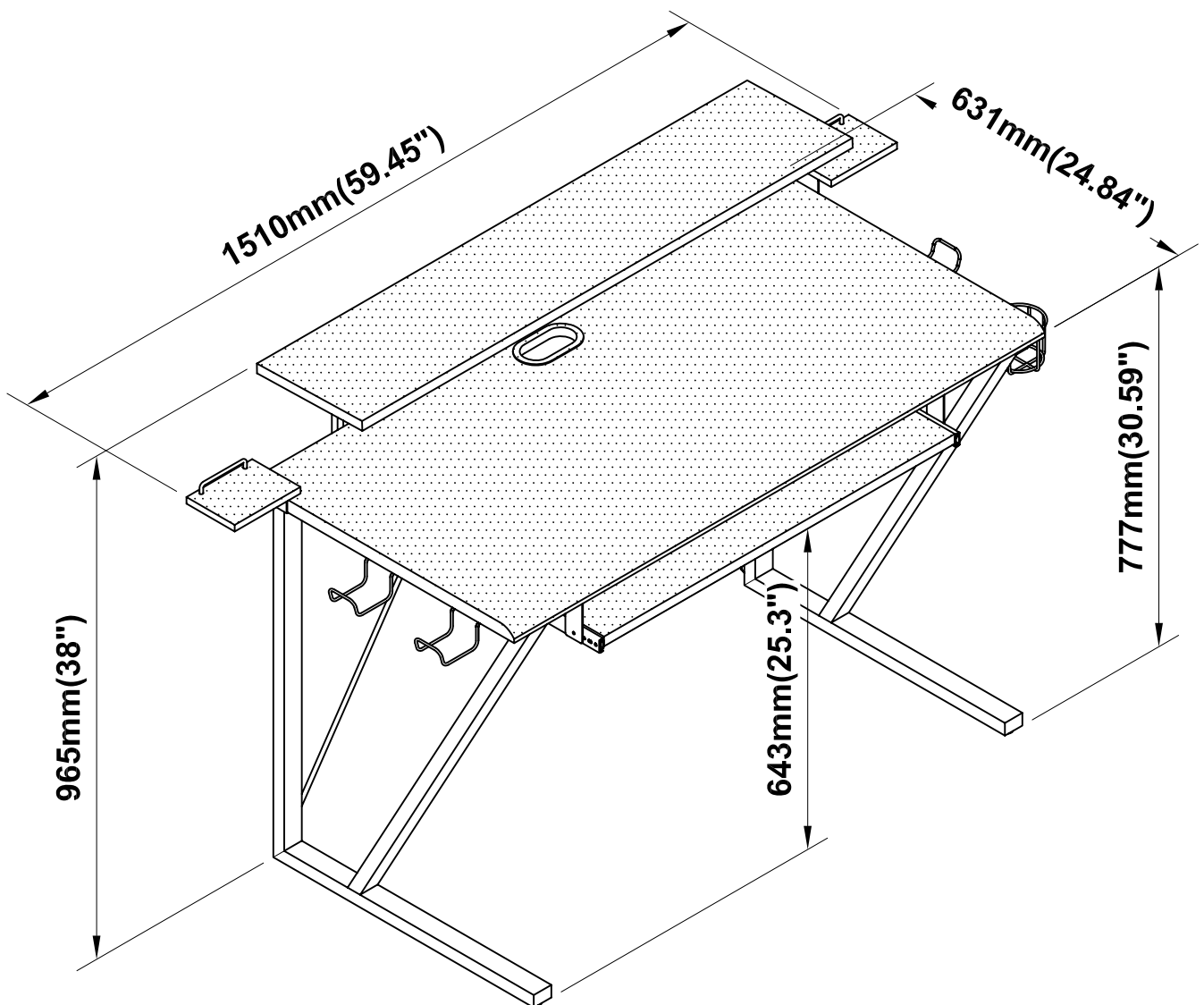
ITEM: **804436**

**ASSEMBLY INSTRUCTIONS**



ITEM:804436

**COASTER**<sup>®</sup>  
FINE FURNITURE



**Note :** Dimension tolerance  $\pm 5\%$