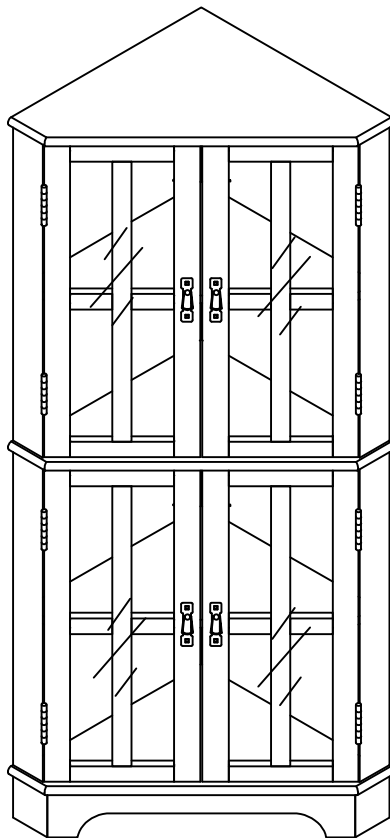




**ASSEMBLY INSTRUCTION
COASTER FINE FURNITURE**



Fine Furniture For every stage of life.

950185
CORNER CURIO

REVISION 1:01/03/2020

Assembly Instruction

ASSEMBLY TIPS:

- 1.Remove hardware from and sort by size.
- 2.please check to see that all hardware and parts are present prior to start of assembly.
- 3.please follow attached instructions in the same aequence as numbered to assure fast & easy assembly

Warning !

- 1.Don't attempt to repair or modify parts that are broken or defective.please contact the store immediately
- 2.This product is for home use only and not intended for commercial establishment.

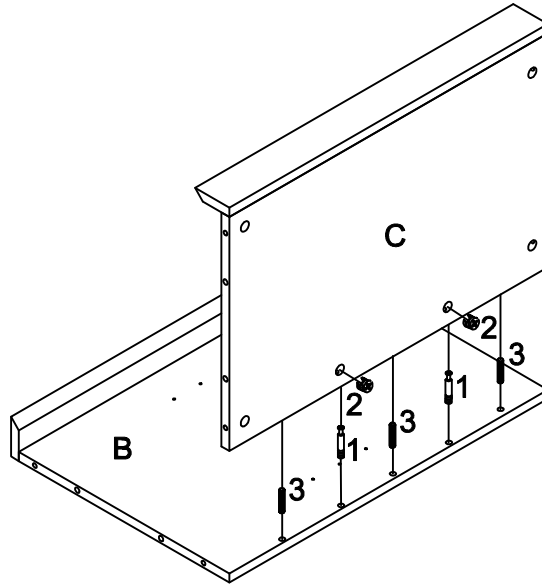
PARTS IDENTIFICATICON:

Z HARDWARE IDENTIFICATICON:

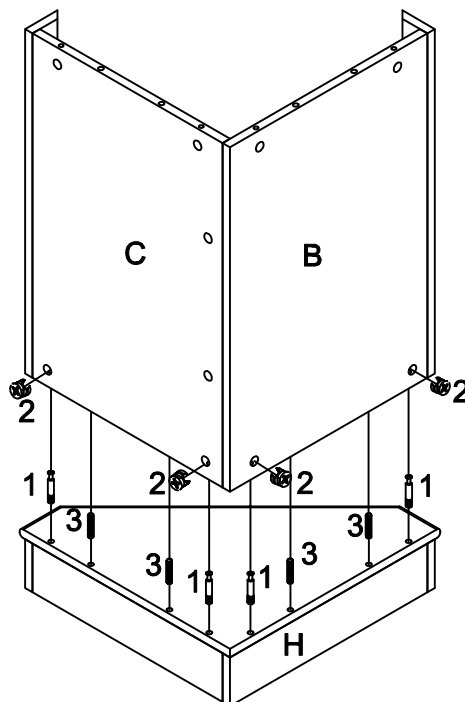
A	TOP PANEL		1PC
B	LEFT SIDE FRAME		2PCS
C	RIGHT SIDE FRAME		2PCS
D	FIXED PANEL		1PC
E	ADJUSTBALE PANEL		2PCS
F	LEFT DOOR		2PCS
G	RIGHT DOOR		2PCS
H	BOTTOM FRAME		1PC

NO	DESCRIPTION	FIGURE	Q`TY
1	CAM BOLT (GOLD)		20PCS
2	CAM LOCK (GOLD)		20PCS
3	WOOD DOWEL (Ø8*30MM NATURAL)		22PCS
4	ROUND HEAD SCREW (Ø3*14MM BLACK)		4PCS
5	SHELF SUPPORT (BRONZE)		8PCS
6	DOOR HANDLE (BLACK)		4PCS
7	MACHINE SCREW (Ø5/32"*16MM BLACK)		8PCS
8	HINGE (BLACK)		8PCS
9	MAGNET (BROWN)		2PCS
10	FLAT HEAD SCREW (Ø3*10MM BLACK)		48PCS
11	GLUE (WHITE)		1PC

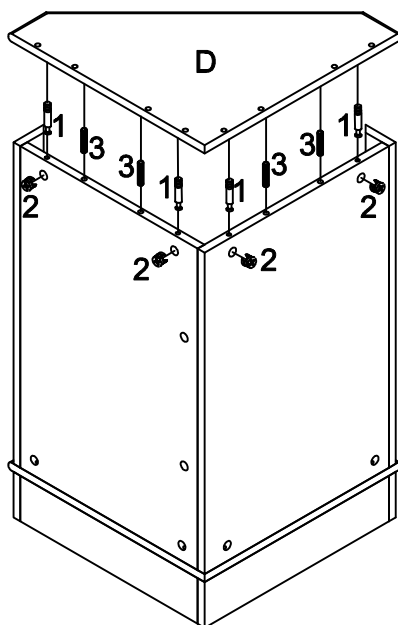
STEP 1



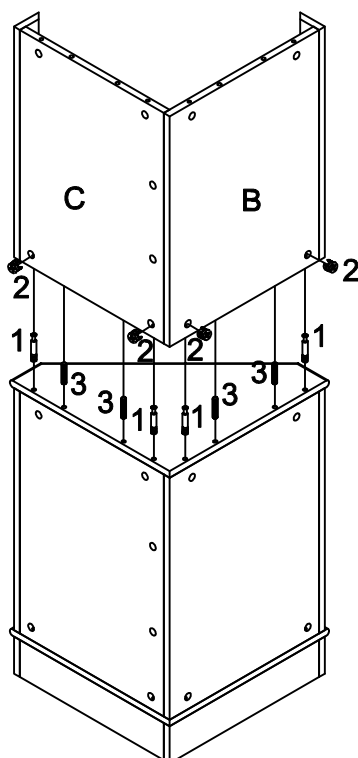
STEP 2



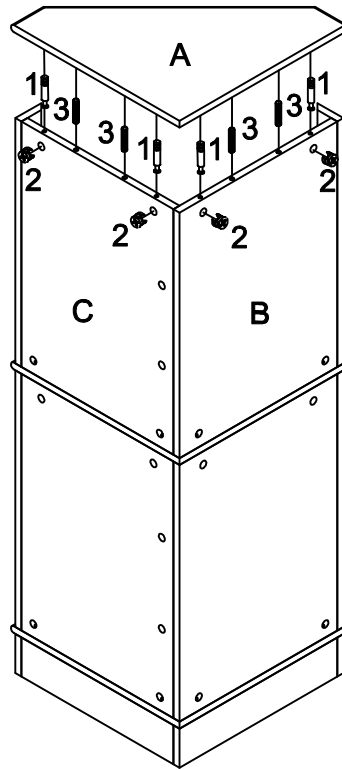
STEP 3



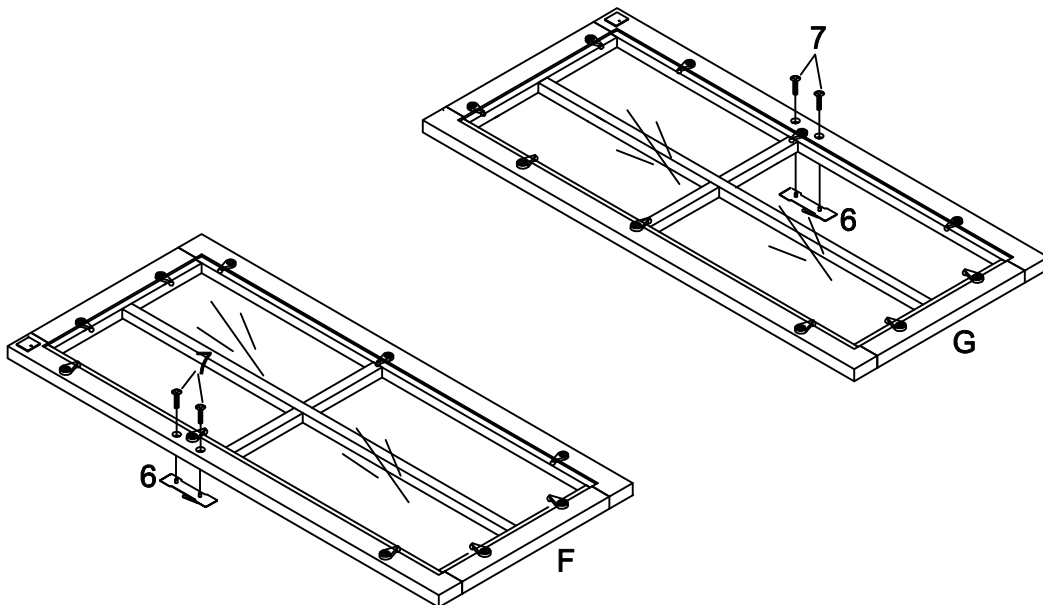
STEP 4



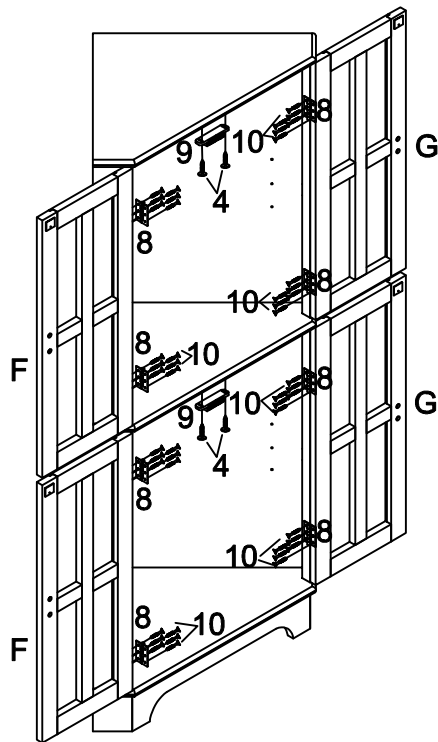
STEP 5



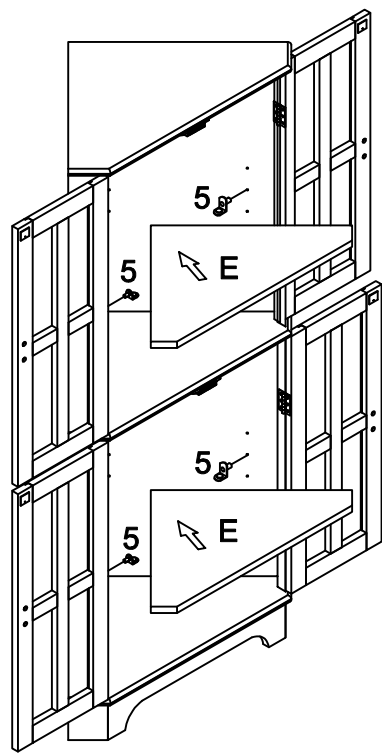
STEP 6



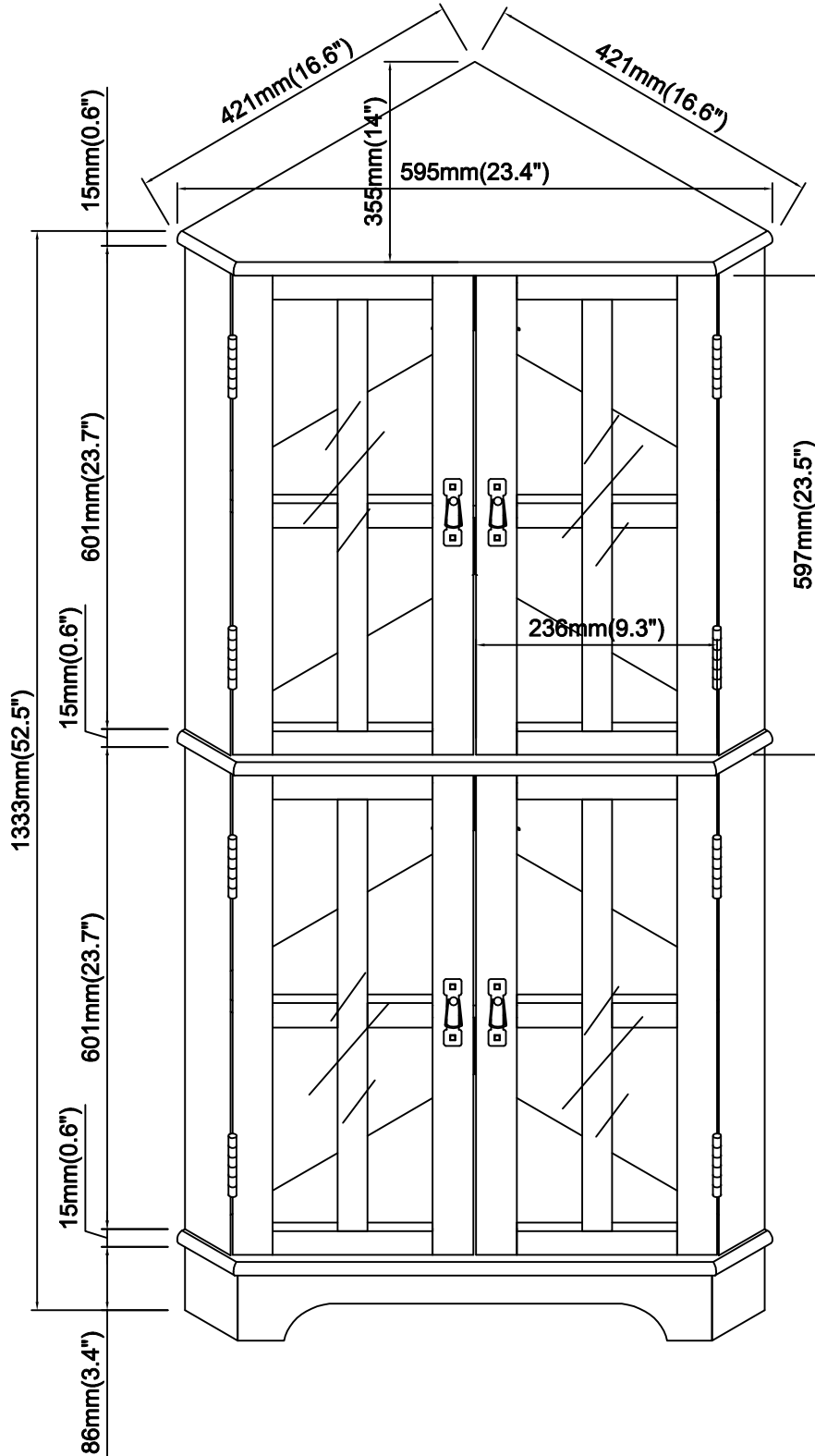
STEP 7



STEP 8



ITEM:950185



ITEM:950185

