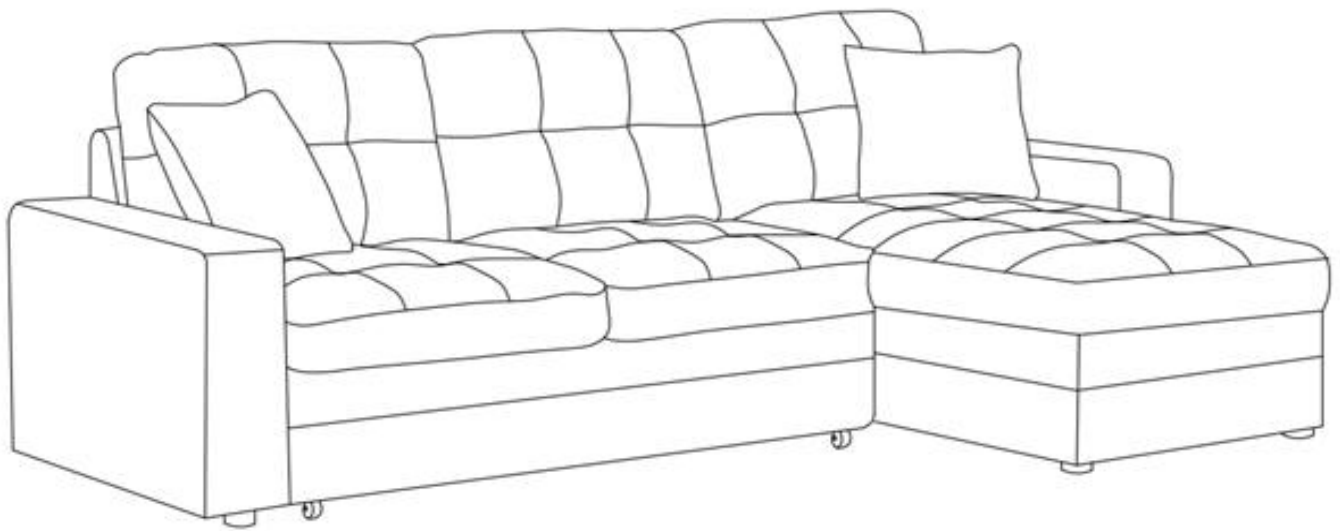




ASSEMBLY INSTRUCTIONS
COASTER FINE FURNITURE



Fine Furniture for every stage of life

501677
Sectional

ITEM : **501677B1**



ASSEMBLY INSTRUCTIONS

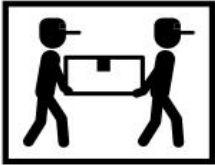
ASSEMBLY TIPS:

- 1.Remove hardware from box and sort by size.
- 2.Please check to see that all hardware and parts are present prior to start of assembly.
- 3.Please follow attached instruction in the same sequence as numbered to assure fast & easy assembly.



WARNING!

- 1.Don't attempt to repair or modify parts that are broken or defective. Please contact the store immediately.
- 2.This product is for home use only and not intended for commercial establishment.



ASSEMBLY TIME

15 MINUTES

PARTS IDENTIFICATION

A CHAISE



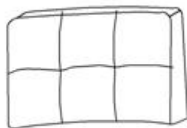
1PC

C LEG



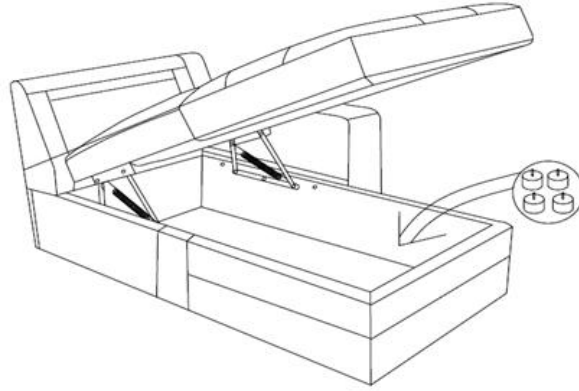
5PCS

B BACK CUSHION

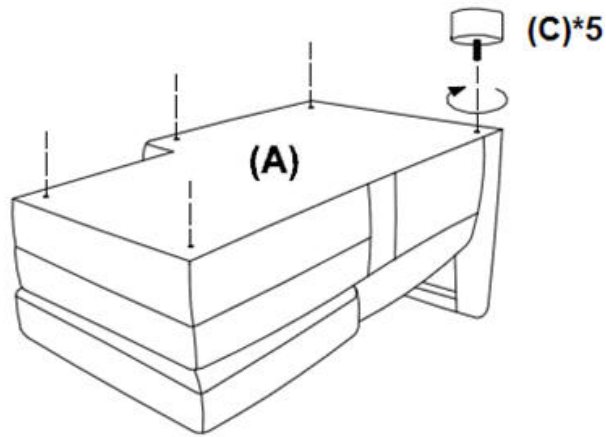


1PC

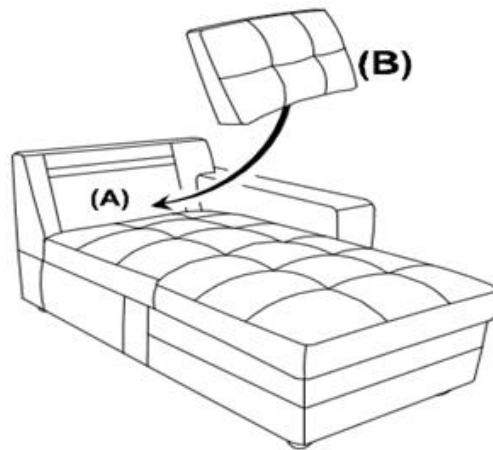
ITEM : **501677B1**
ASSEMBLY INSTRUCTIONS
STEP 1



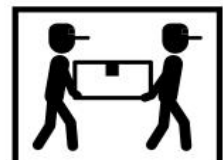
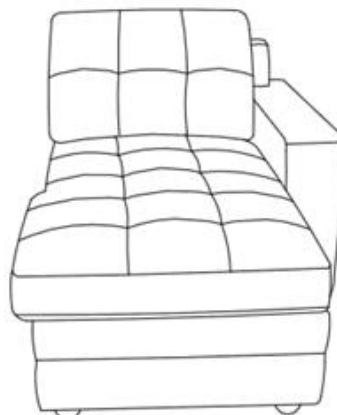
STEP 2



STEP 3



STEP 4



ITEM : **501677B2**

ASSEMBLY INSTRUCTIONS

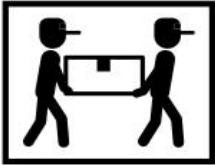
ASSEMBLY TIPS:

- 1.Remove hardware from box and sort by size.
- 2.Please check to see that all hardware and parts are present prior to start of assembly.
- 3.Please follow attached instruction in the same sequence as numbered to assure fast & easy assembly.



WARNING!

- 1.Don't attempt to repair or modify parts that are broken or defective. Please contact the store immediately.
- 2.This product is for home use only and not intended for commercial establishment.



ASSEMBLY TIME	15 MINUTES
---------------	------------

PARTS IDENTIFICATION

E SOFA



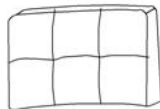
1PC

C LEG



5PCS

B BACK CUSHION



2PCS

D ROLLER

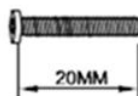


2PCS

HARDWARE IDENTIFICATION

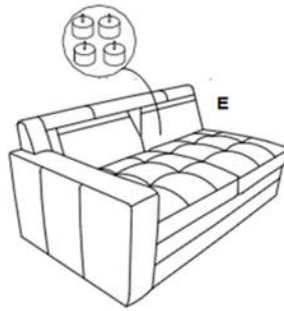
NOTES:HARDWARE PACK IS LOCAL IN 501677B2

1 BOLTS

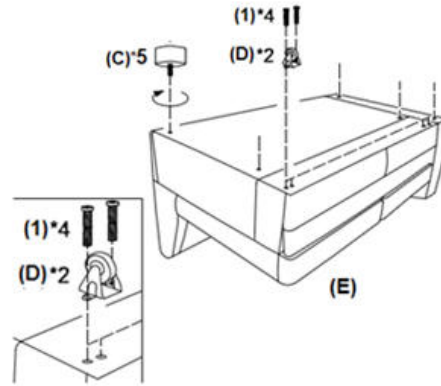


4PCS

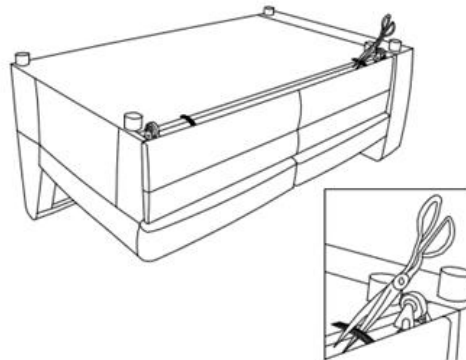
ITEM : **501677B2**
ASSEMBLY INSTRUCTIONS
STEP 1



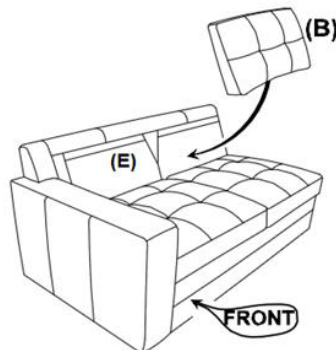
STEP 2



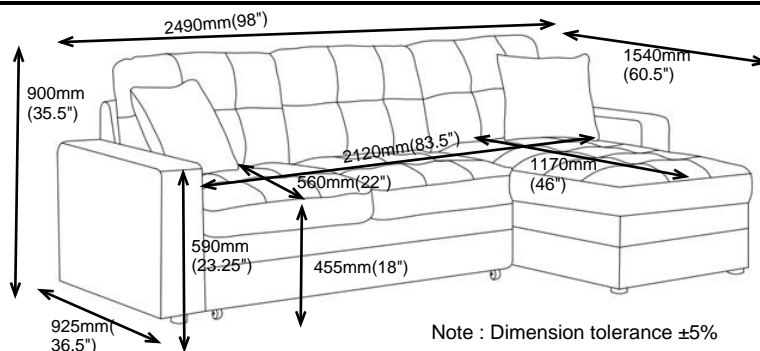
STEP 3



STEP 4



**STEP 5
 COMPLETED**



Note : Dimension tolerance $\pm 5\%$

