



ASSEMBLY INSTRUCTIONS
COASTER FINE FURNITURE



Fine Furniture for every stage of life

551162
LOVESEAT

REVISION 0:12/26/2016
REVISION 1:06/06/2019
REVISION 2:11/28/2019
REVISION 3:01/08/2020

PAGE 1 OF 4

COASTERFURNITURE.COM

ITEM :551162



ASSEMBLY INSTRUCTIONS

ASSEMBLY TIPS:

- 1.Remove hardware from box and sort by size.
- 2.Please check to see that all hardware and parts are present prior to start of assembly.
- 3.Please follow attached instructions in the same sequence as numbered to assure fast & easy assembly.



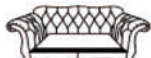



WARNING !

- 1.Don't attempt to repair or modify parts that are broken or defective. Please contact the store immediately.
- 2.This product is for home uses only and not intended for commercial establishments.







ASSEMBLY TIME 20 MINUTES

PARTS IDENTIFICATION

A		LOVESEAT	1PC
B		SEAT CUSHION	1PC
C		LEG	4PCS
D		PILLOW	2PCS

HARDWARE IDENTIFICATION

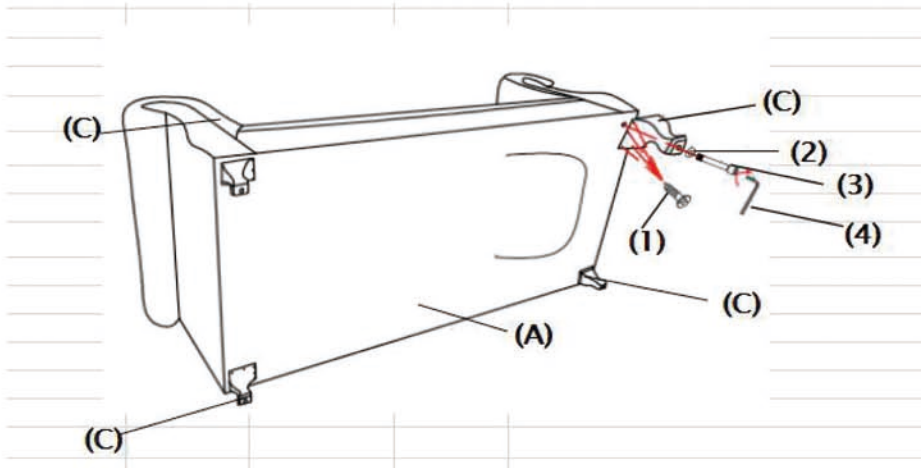
NO.	DESCRIPTION	FIGURE	Q'TY
1	SCREW	 M4*30MM	20PCS
2	WASHER	 Ø 6MM	4PCS
3	BOLT	 M6*120MM	4PCS
4	ALLEN WRENCH	 5#	1PCS

ITEM:551162

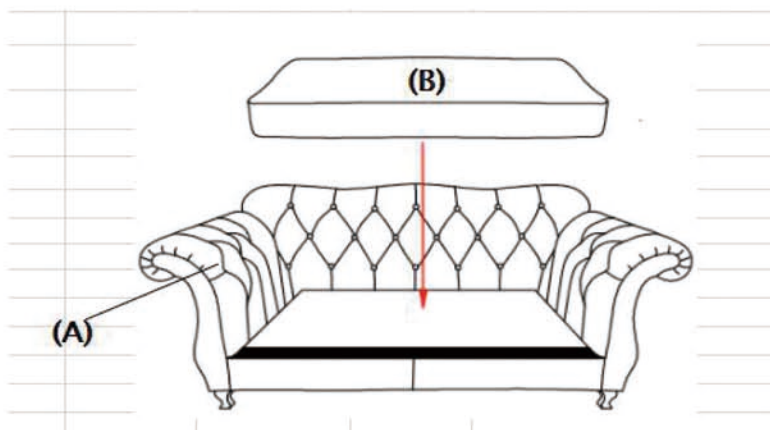


ASSEMBLY INSTRUCTIONS

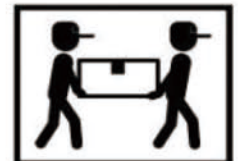
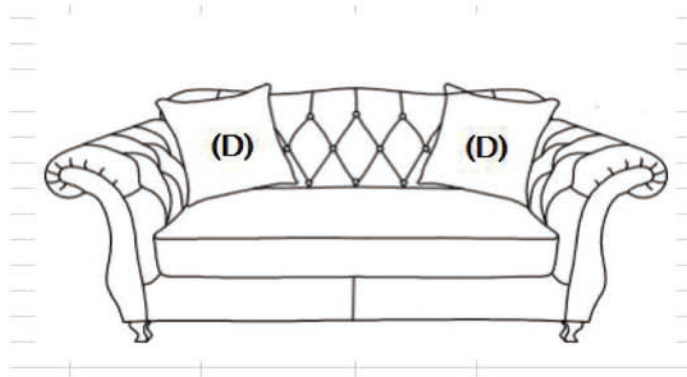
STEP 1



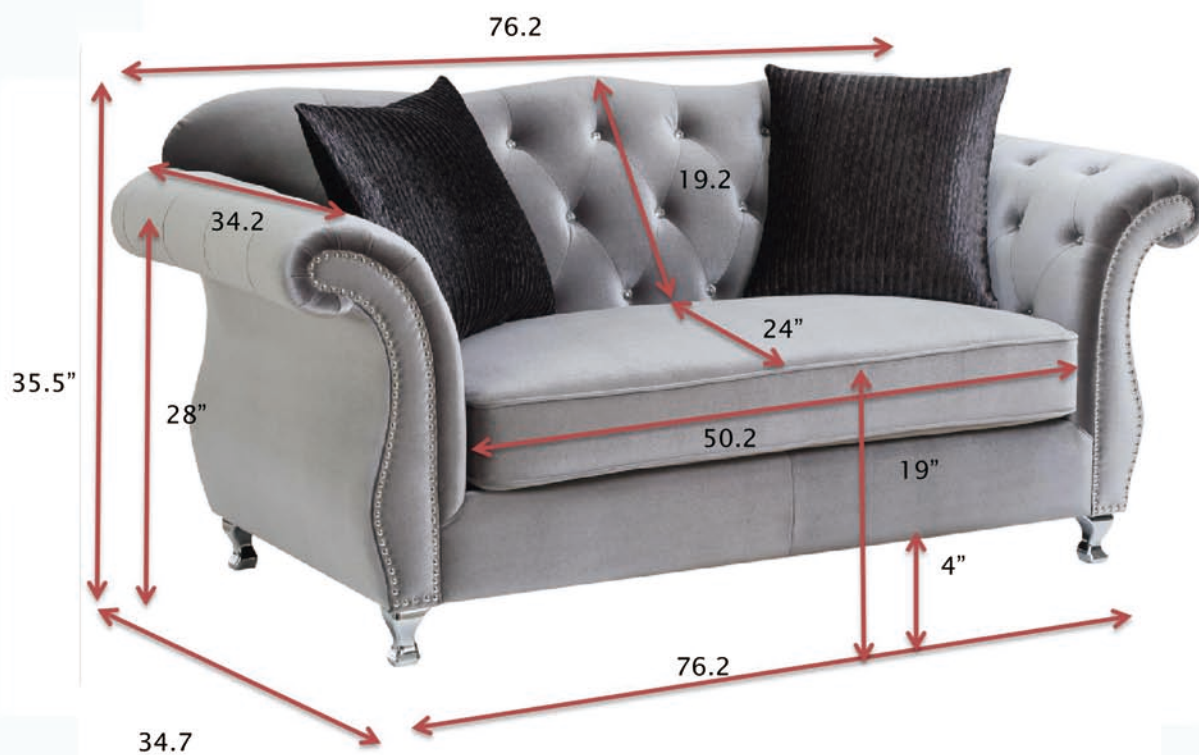
STEP 2



STEP 3



ITEM: 551162



NOTE: Dimension tolerance 5+%