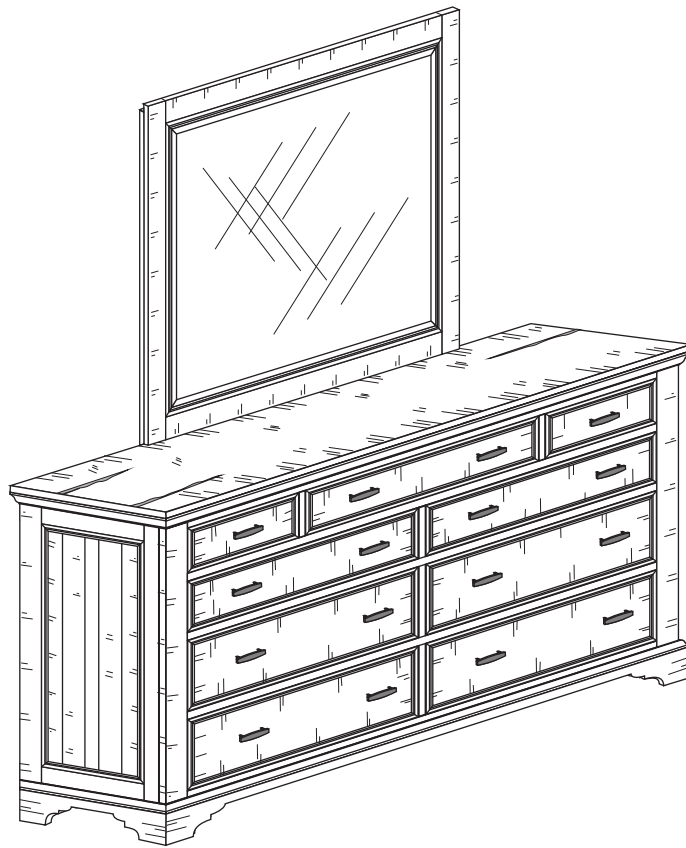


ASSEMBLY INSTRUCTIONS
COASTER FINE FURNITURE



Fine Furniture for every stage of life

203894
Mirror

REVISION 0:12/30/2014
REVISION 1:08/23/2018
REVISION 2:01/03/2020

COASTERFURNITURE.COM

ITEM: 203894

ASSEMBLY INSTRUCTIONS



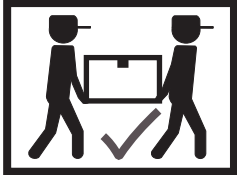
ASSEMBLY TIPS:

- 1 . Remove hardware from box and sort by size.
- 2 . Please check to see that all hardware and parts are present prior to start of assembly.
- 3 . Please follow attached instructions in the same sequence as numbered to assure fast & easy assembly.



WARNING!

- 1 . Don't attempt to repair or modify parts that are broken or defective. Please contact the store immediately.
- 2 . This product is for home use only and not intended for commercial establishments.

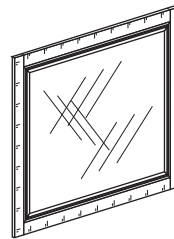


ASSEMBLY TIME

10 MINUTES

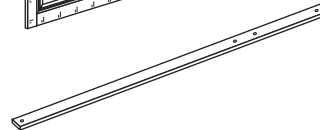
PARTS IDENTIFICATION

A MIRROR



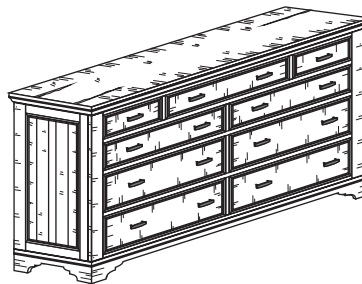
1PC

B MIRROR SUPPORT
(PACKED WITH DRESSER)



2PCS

C DRESSER
FROM BOX ITEM
203893



1PC

HARDWARE IDENTIFICATION

1 FLAT HEAD SCREW
(M4 x 30mm - RBW)



8PCS

NOTE :

Phillips head screw driver is required in the assembly process; however, manufacturer does not provide this item.

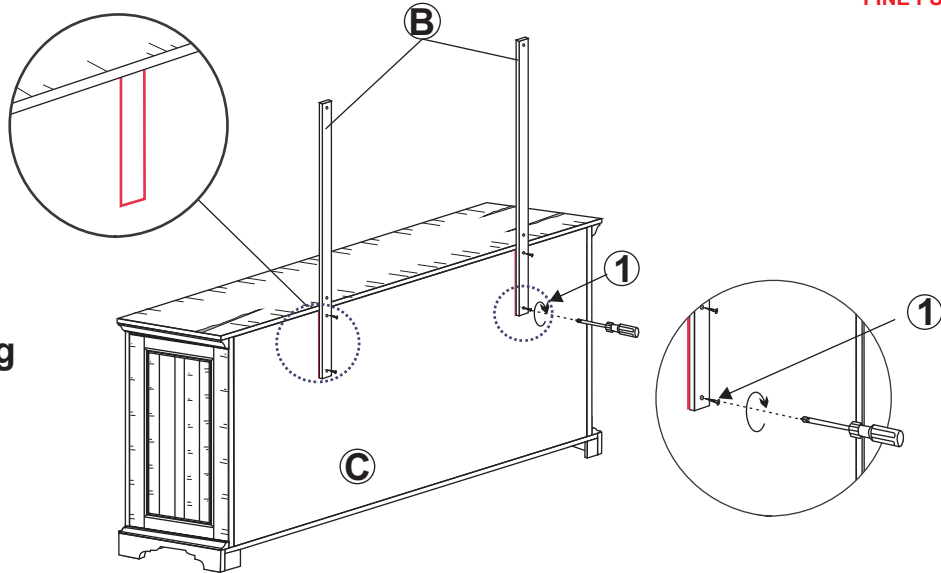
ITEM: 203894

ASSEMBLY INSTRUCTIONS

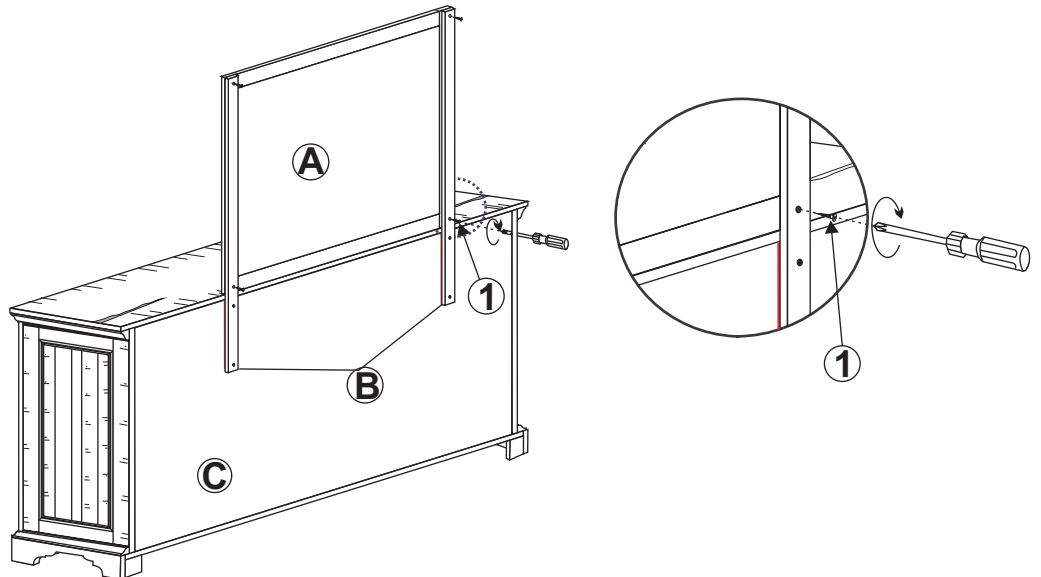
STEP 1



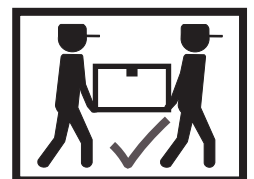
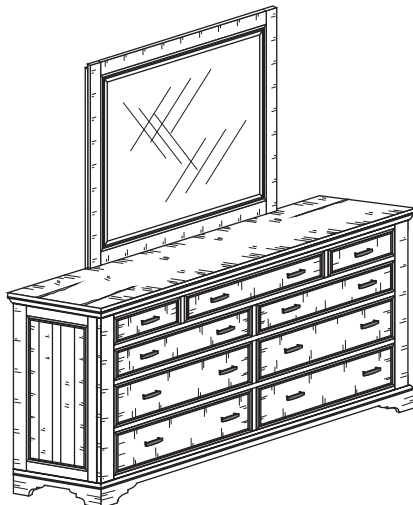
Follow the marking at dresser back



STEP 2

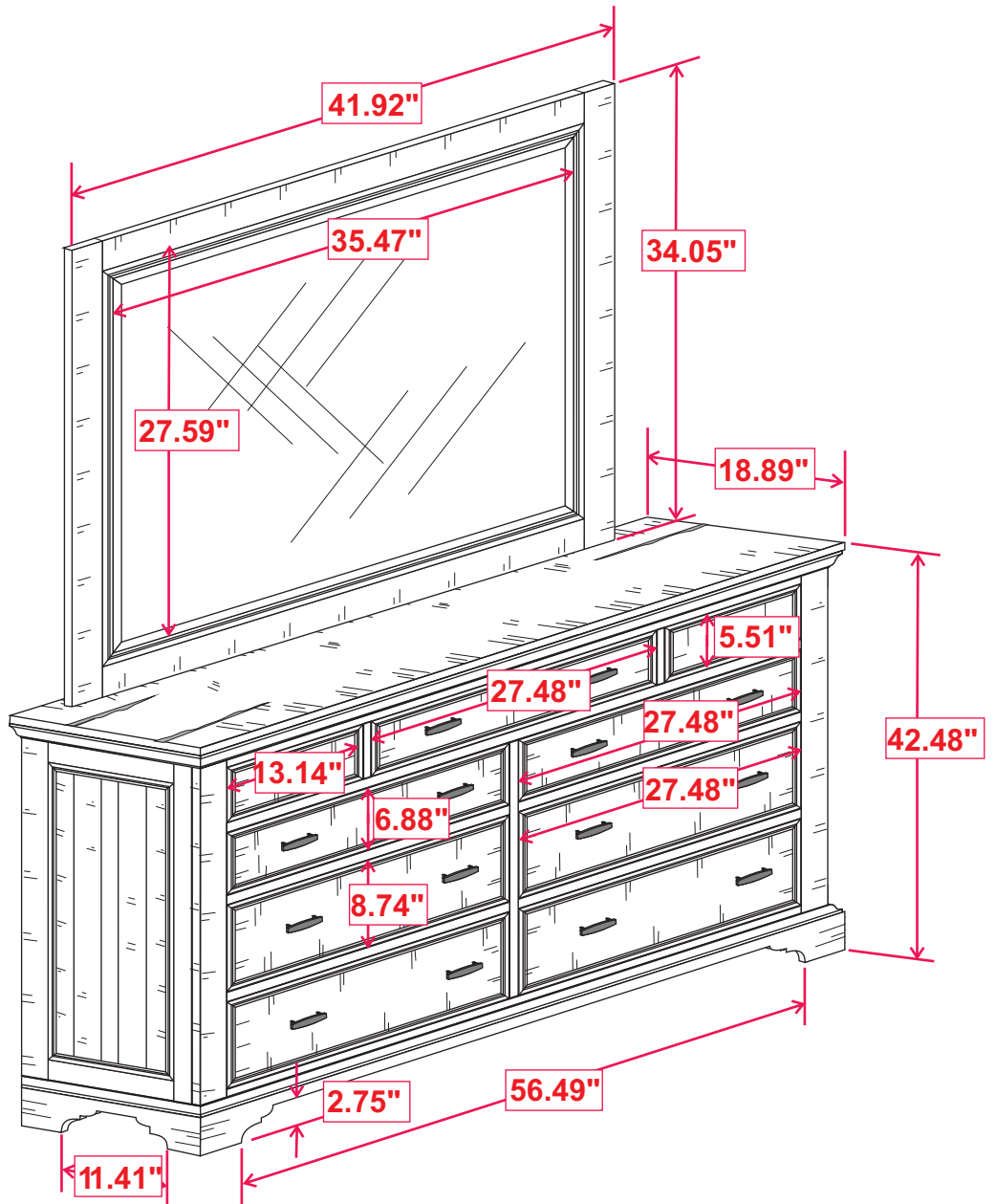


**STEP 3
COMPLETE**



ITEM: 203894

COASTER[®]
FINE FURNITURE



Note : Dimension tolerance $\pm 5\%$