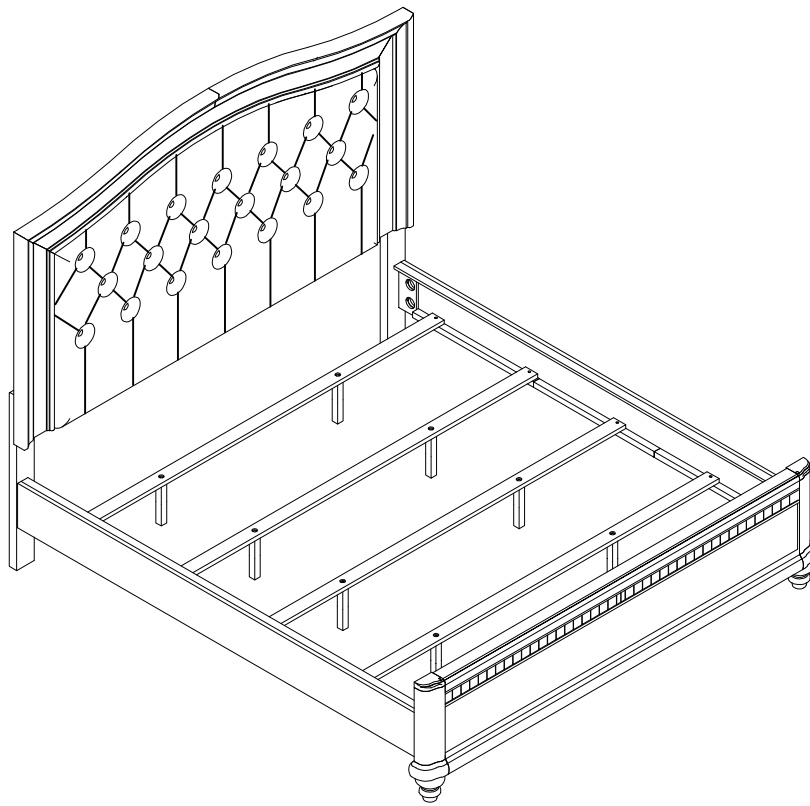


ASSEMBLY INSTRUCTIONS COASTER FINE FURNITURE



Fine Furniture for every stage of life

204181KW (B1-B3) **California King Bed**

REVISION 0 : 06/17/2015
REVISION 1 : 11/03/2015
REVISION 2 : 07/04/2017
REVISION 3 : 11/05/2019

ITEM: 204181KW (B1-B3)

ASSEMBLY INSTRUCTIONS

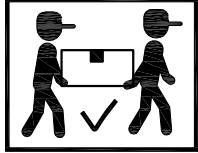
ASSEMBLY TIPS:

- 1.Remove hardware from box and sort by size.
- 2.Please check to see that all hardware and parts are present prior to start of assembly.
- 3.Please follow attached instructions in the same sequence as numbered to assure fast & easy assembly.

WARNING!



- 1.Don't attempt to repair or modify parts that are broken or defective. Please contact the store immediately.
- 2.This product is for home use only and not intended for commercial establishments.



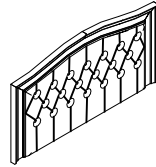
ASSEMBLY TIME

20 MINUTES

PARTS IDENTIFICATION

B1 (BOX 1)

A HEADBOARD PANEL



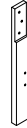
1PC

B LEFT HEADBOARD LEG



1PC

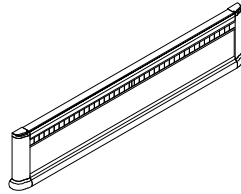
C RIGHT HEADBOARD LEG



1PC

B2 (BOX 2)

D FOOTBOARD PANEL



1PC

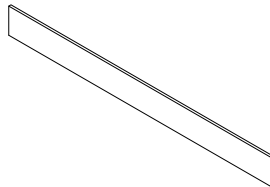
E FOOTBOARD BUN FOOT



2PCS

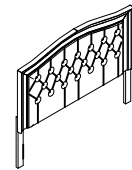
B3 (BOX 3)

F BED RAIL



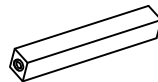
2PCS

HB 204181KW(B1) FROM BOX 1 HEADBOARD COMPLETE



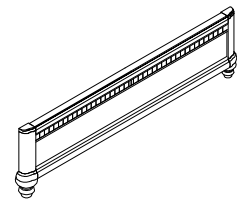
1PC

G BED SLAT SUPPORT WITH LEVELER



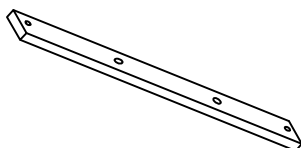
8PCS

FB 204181KW(B2) FROM BOX 2 FOOTBOARD COMPLETE



1PC

H BED SLAT



4PCS

ITEM: 204181KW (B1-B3)

ASSEMBLY INSTRUCTIONS

ASSEMBLY TIPS:

1. Remove hardware from box and sort by size.
2. Please check to see that all hardware and parts are present prior to start of assembly.
3. Please follow attached instructions in the same sequence as numbered to assure fast & easy assembly.

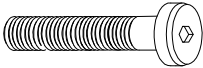





WARNING!


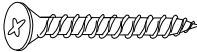

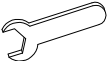

1. Don't attempt to repair or modify parts that are broken or defective. Please contact the store immediately.
2. This product is for home use only and not intended for commercial establishments.

HARDWARE IDENTIFICATION

Z-B1 (BOX 1) - HARDWARE PACK IS LOCATED IN 204181KW (B1)

1	BOLT (5/16" x 60mm - BLK)		6PCS	3	FLAT WASHER (5/16" x 19 x 1.5mm - BLK)		6PCS
2	LOCK WASHER (5/16" - BLK)		6PCS	4	ALLEN WRENCH (4MM - BLK)		1PC

Z-B3 (BOX 3) - HARDWARE PACK IS LOCATED IN 204181KW (B3)

5	THREADED BOLT (5/16" x 75mm - RBW)		8PCS	8	FLAT HEAD SCREW (4 x 32mm - RBW)		8PCS
6	U-SQUARE WASHER (25 x 15 x 2mm - RBW)		8PCS	9	WRENCH (13MM - RBW)		1PC
7	HEX NUT (5/16" x 17mm - RBW)		8PCS				

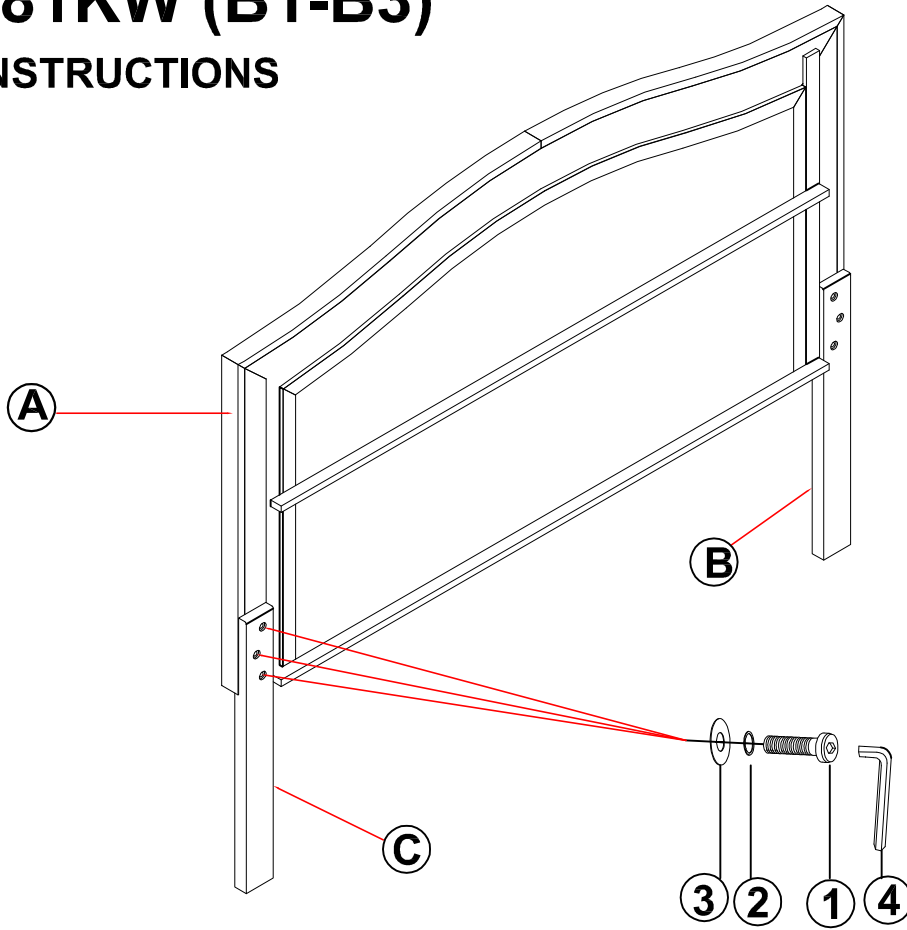
NOTE:
Phillips head screw driver is required in the assembly process; however, manufacturer does not provide this item.

ITEM: 204181KW (B1-B3)

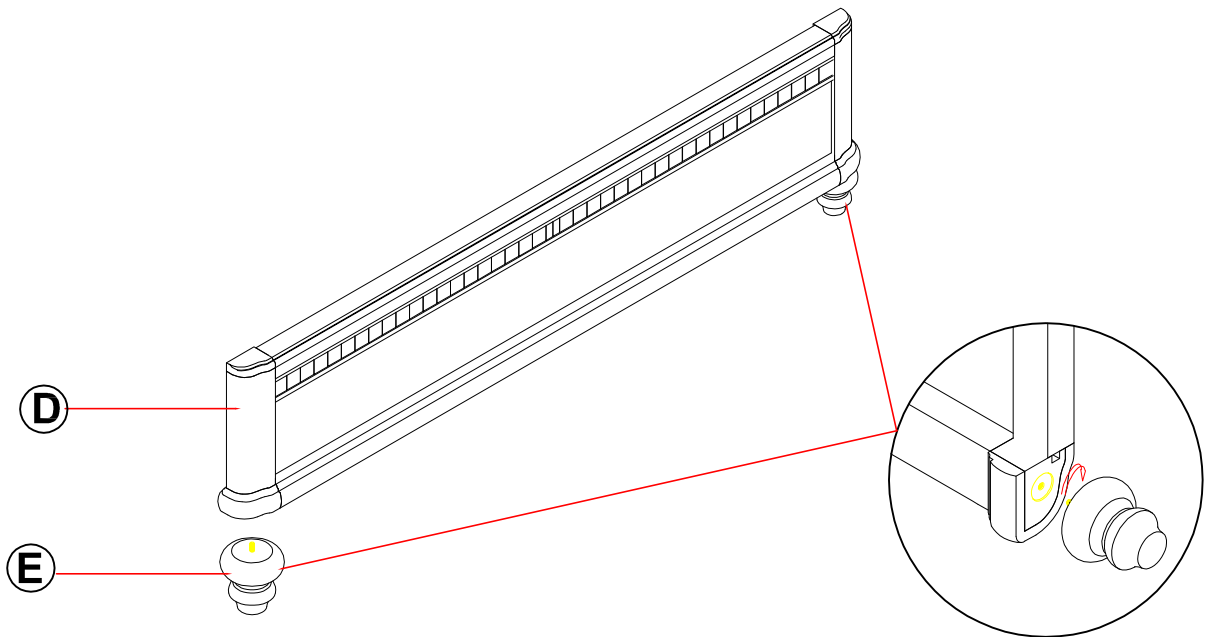
ASSEMBLY INSTRUCTIONS



STEP 1



STEP 2

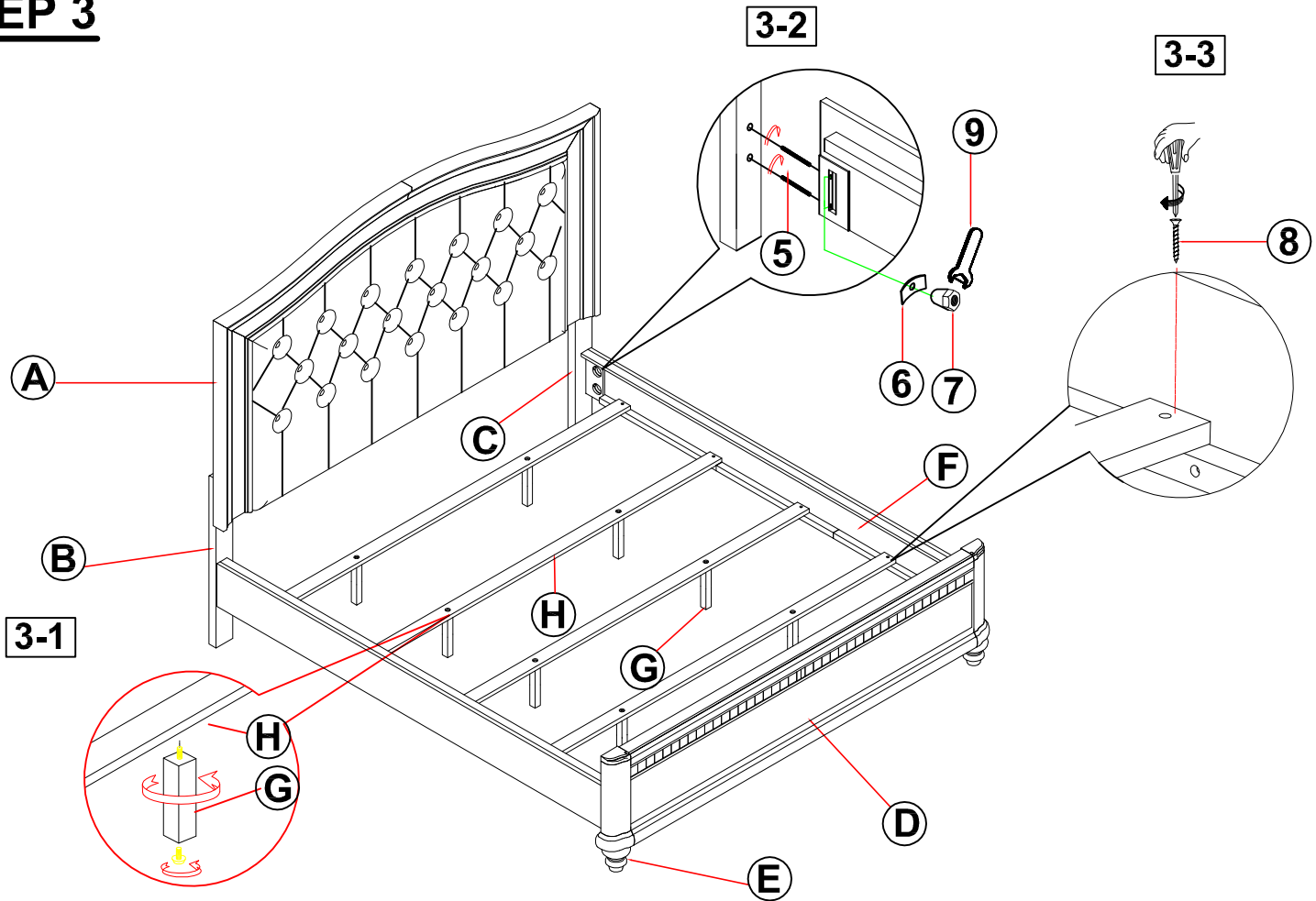


ITEM: 204181KW (B1-B3)

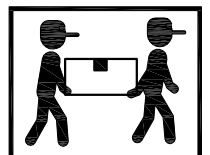
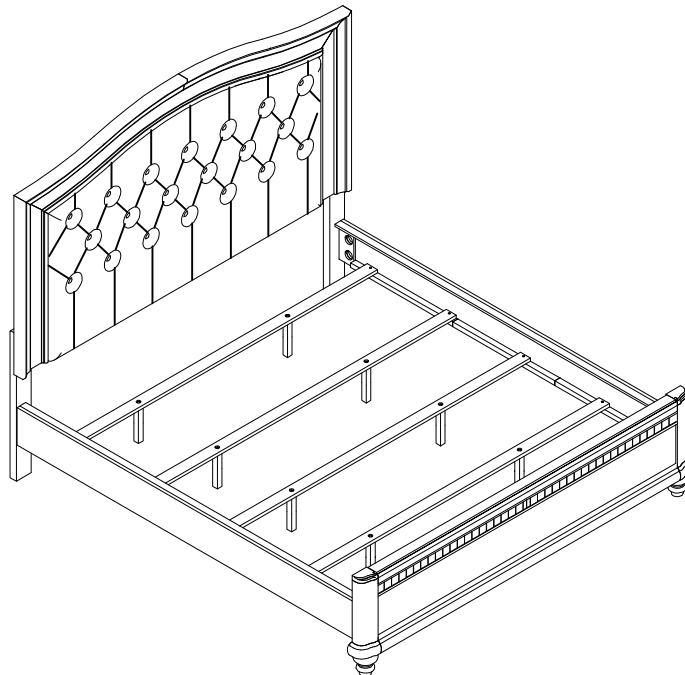
ASSEMBLY INSTRUCTIONS



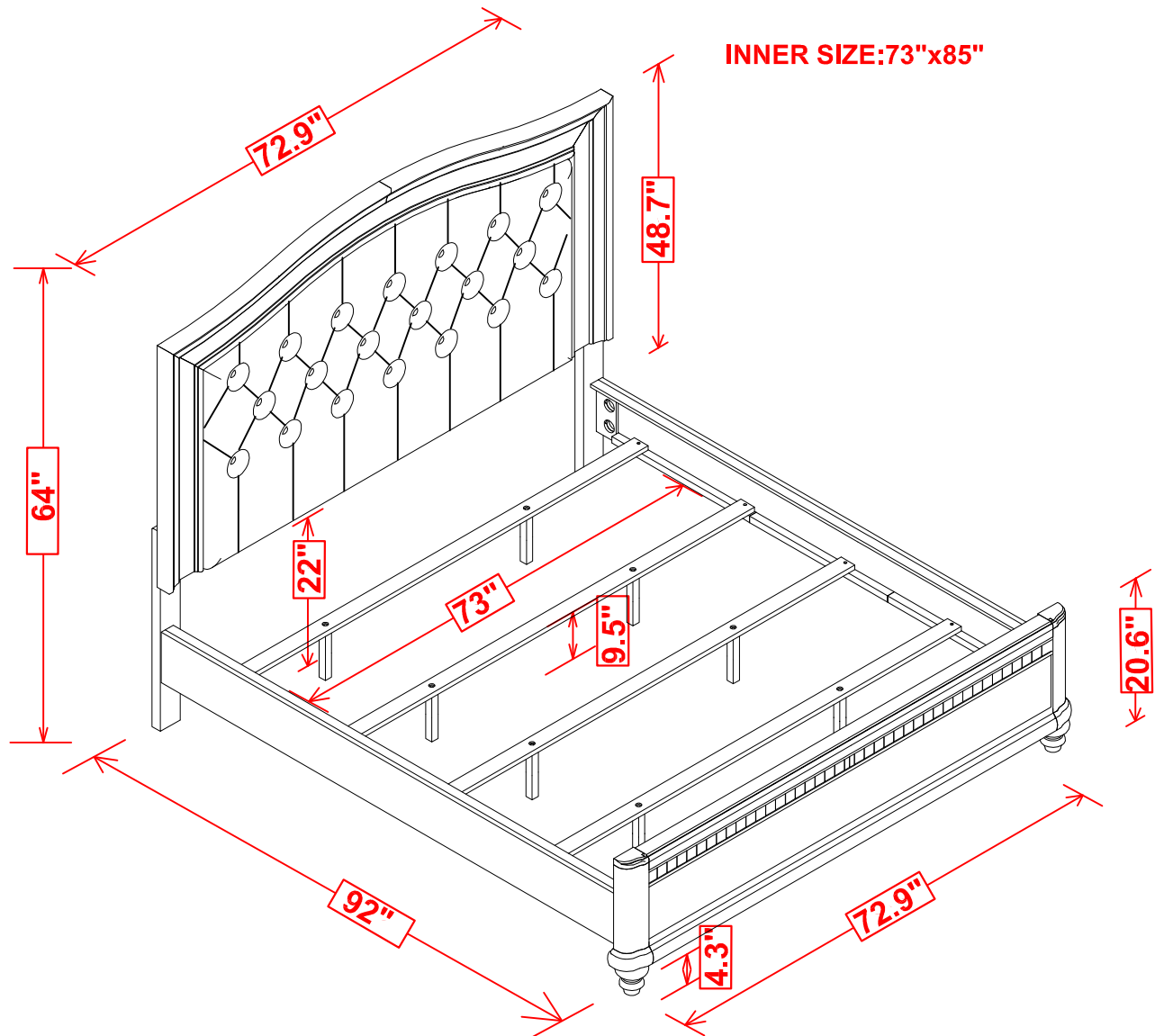
STEP 3



STEP 4 COMPLETE



ITEM:204181KW (B1-B3)



Note : Dimension tolerance $\pm 5\%$