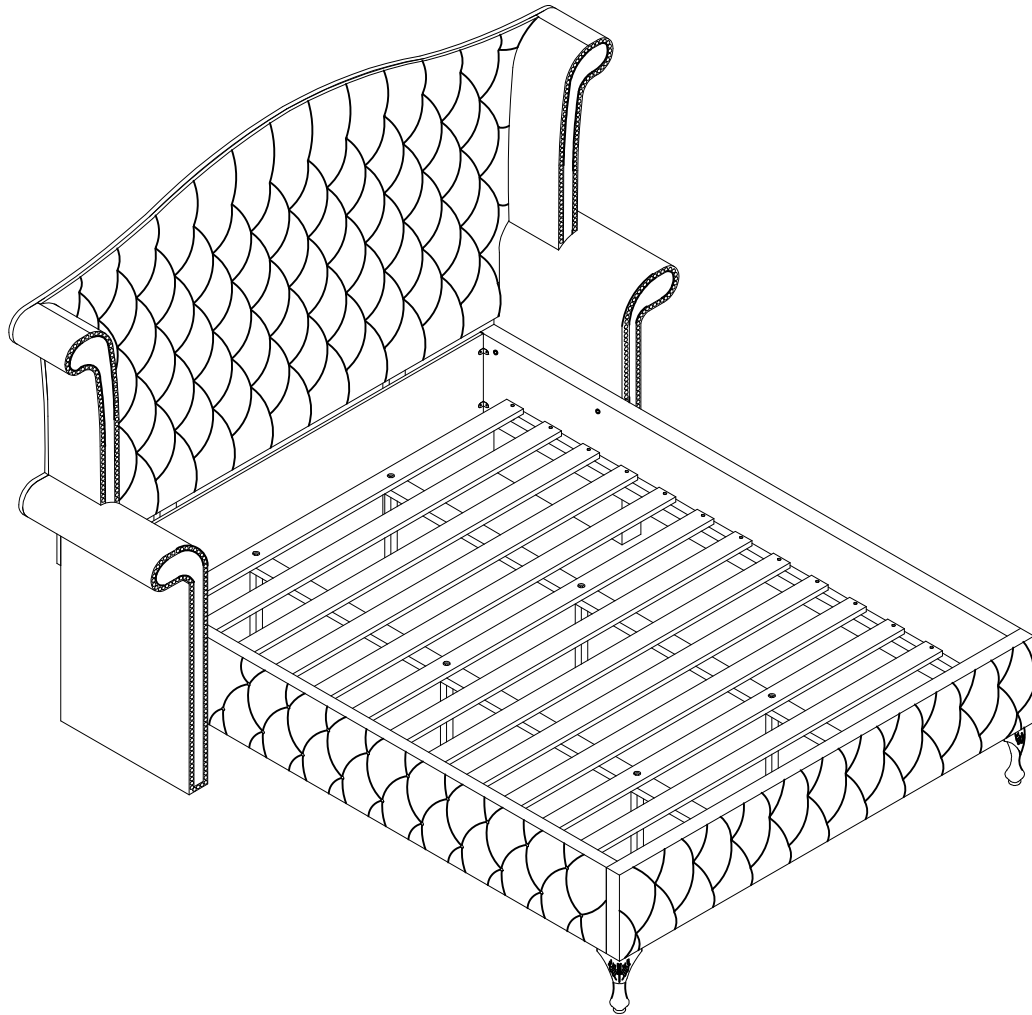


**ASSEMBLY INSTRUCTIONS**  
**COASTER FINE FURNITURE**



*Fine Furniture for every stage of life*

**205101Q (B1-B3)**  
***Queen Bed***

REVISION 0 : 11/28/2016  
REVISION 1 : 10/17/2017  
REVISION 2 : 06/05/2018  
REVISION 3 : 09/04/2019

# ITEM: 205101Q (B1-B3)



## ASSEMBLY INSTRUCTIONS

### ASSEMBLY TIPS:

1. Remove hardware from box and sort by size.
2. Please check to see that all hardware and parts are present prior to start of assembly.
3. Please follow attached instructions in the same sequence as numbered to assure fast & easy assembly.



### WARNING!

1. Don't attempt to repair or modify parts that are broken or defective. Please contact the store immediately.
2. This product is for home use only and not intended for commercial establishments.






ASSEMBLY TIME

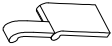


40 MINUTES

## PARTS IDENTIFICATION

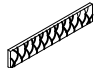

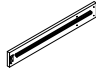






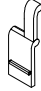
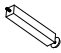
### B1 ( BOX 1 )

AV	HEADBOARD		1PC	CV	HEADBOARD PANEL		1PC
BV	HEADBOARD SUPPORT LEG		2PCS				

### B2 ( BOX 2 )

DV1	RIGHT EAR PANEL		1PC	EV	EAR PANEL SUPPORT		2PCS
DV2	LEFT EAR PANEL		1PC				

### B3 ( BOX 3 )

FV	FOOTBOARD		1PC	KV	FOOTBOARD LEG		2PCS
GV1	LEFT BED RAIL		1PC	LV	CENTER RAIL		2PCS
GV2	RIGHT BED RAIL		1PC	MV	CENTER RAIL SUPPORT		2PCS
HV	BED SLAT		10PCS	HBV	205101Q (B1) FROM BOX 1 HEADBOARD COMPLETE		1PC
IV	BED SLAT WITH HOLES		3PCS	ERV	205101Q (B2) FROM BOX 2 LEFT AND RIGHT EAR PANEL COMPLETE		2PCS
JV	BED SLAT SUPPORT		6PCS				

### NOTE:

Phillips head screw driver is required in the assembly process; however, manufacturer does not provide this item.

# ITEM: 205101Q (B1-B3)



## ASSEMBLY INSTRUCTIONS

### ASSEMBLY TIPS:

1. Remove hardware from box and sort by size.
2. Please check to see that all hardware and parts are present prior to start of assembly.
3. Please follow attached instructions in the same sequence as numbered to assure fast & easy assembly.















### WARNING!

1. Don't attempt to repair or modify parts that are broken or defective. Please contact the store immediately.
2. This product is for home use only and not intended for commercial establishments.

## HARDWARE IDENTIFICATION

### Z-B3 (BOX 3) - HARDWARE PACK IS LOCATED IN 205101Q (B3)

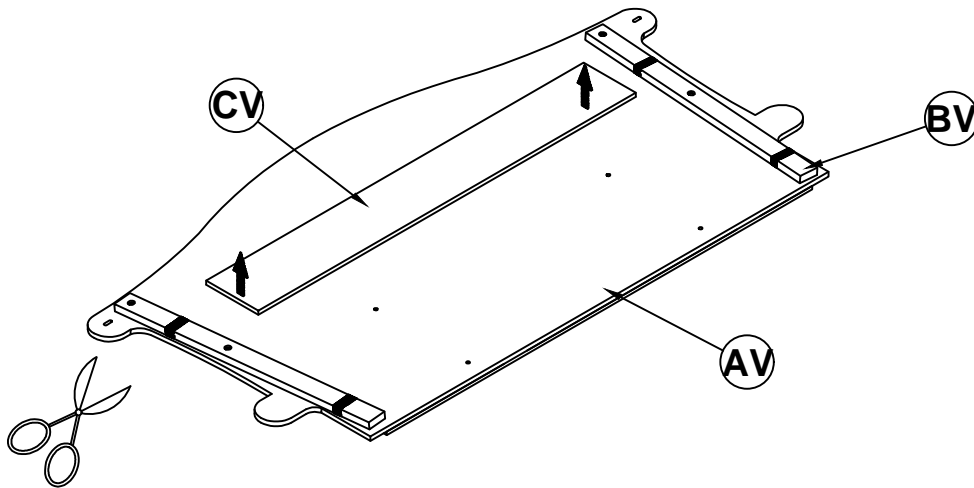
1	<b>ALLEN WRENCH</b> (4MM - RBW)		1PC	7	<b>MEDIUM PAN HEAD SCREW</b> (#4 x 25mm - RBW)		4PCS
2	<b>BOLT 1</b> (Ø1/4" x 30mm - RBW)		4PCS	8	<b>LONG PAN HEAD SCREW</b> (#4 x 38mm - RBW)		32PCS
3	<b>BOLT 2</b> (Ø1/4" x 38mm - RBW)		10PCS	9	<b>BIG FLAT WASHER</b> (Ø1/4" X 25 X 1.5mm - RBW)		22PCS
4	<b>BOLT 3</b> (Ø1/4" x 60mm - RBW)		10PCS	10	<b>SMALL FLAT WASHER</b> (Ø1/4" X 19 X 1.5mm - RBW)		22PCS
5	<b>BOLT 4</b> (Ø1/4" x 90mm - RBW)		8PCS	11	<b>LOCK WASHER</b> (Ø1/4" - RBW)		22PCS
6	<b>SHORT PAN HEAD SCREW</b> (#4 x 20mm - RBW)		4PCS	12	<b>LEVELER</b> (Ø1/4" X 25mm - BLK)		6PCS

### NOTE:

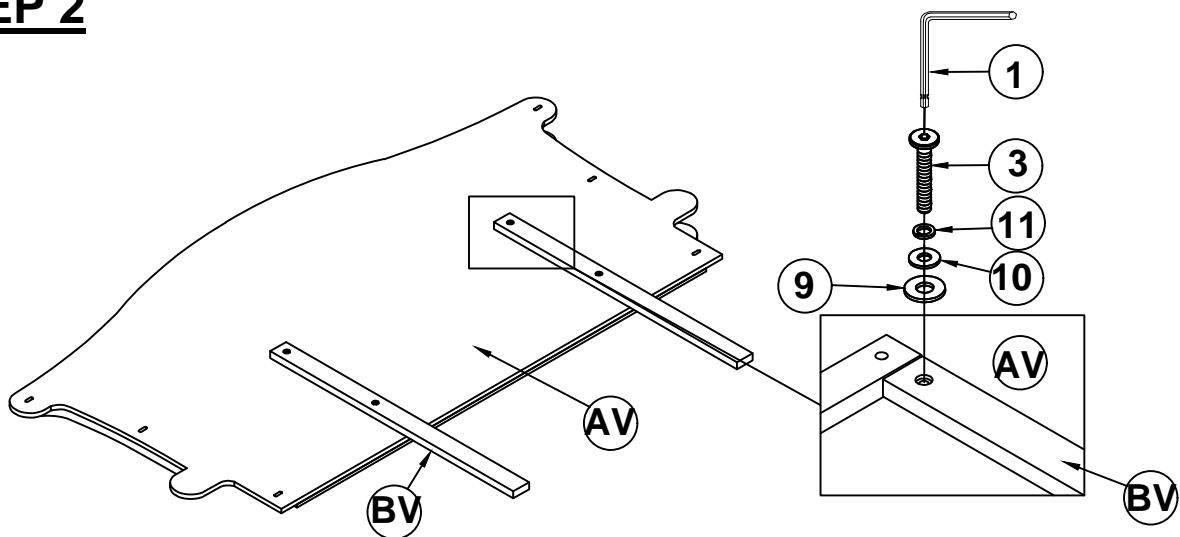
Phillips head screw driver is required in the assembly process; however, manufacturer does not provide this item.

ASSEMBLY INSTRUCTIONS

**STEP 1**

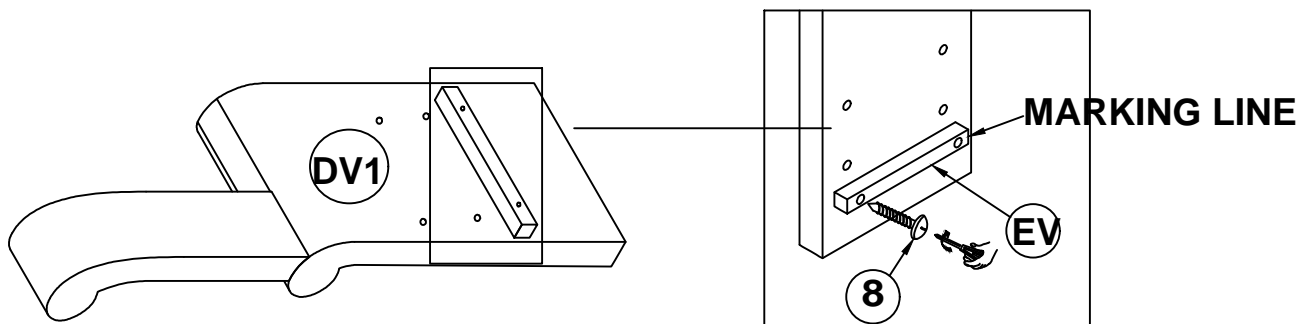


**STEP 2**



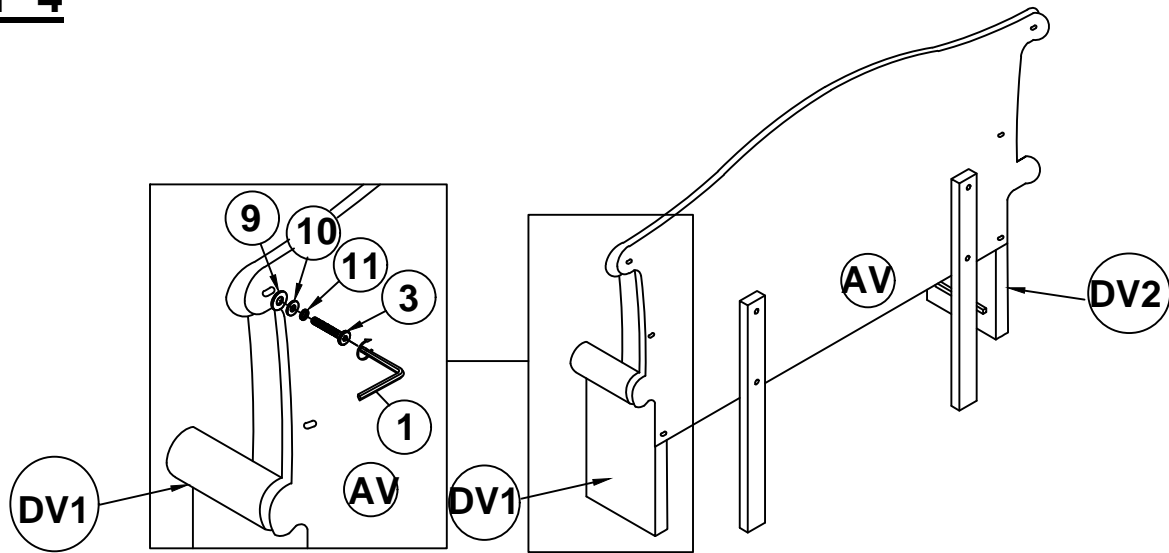
**STEP 3**

**NOTE : THE EAR PANELSUPPORTS ARE TO LIFT UP THE BED RAILS**

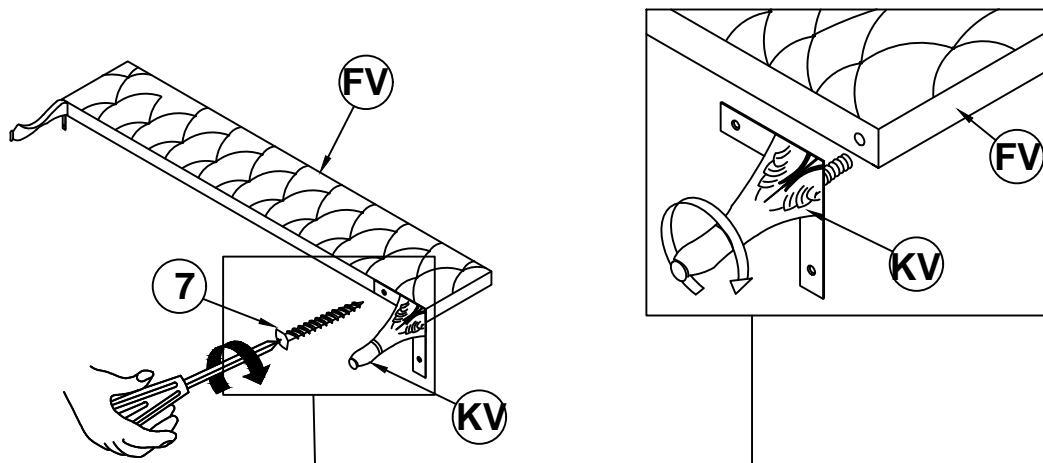


**ASSEMBLY INSTRUCTIONS**

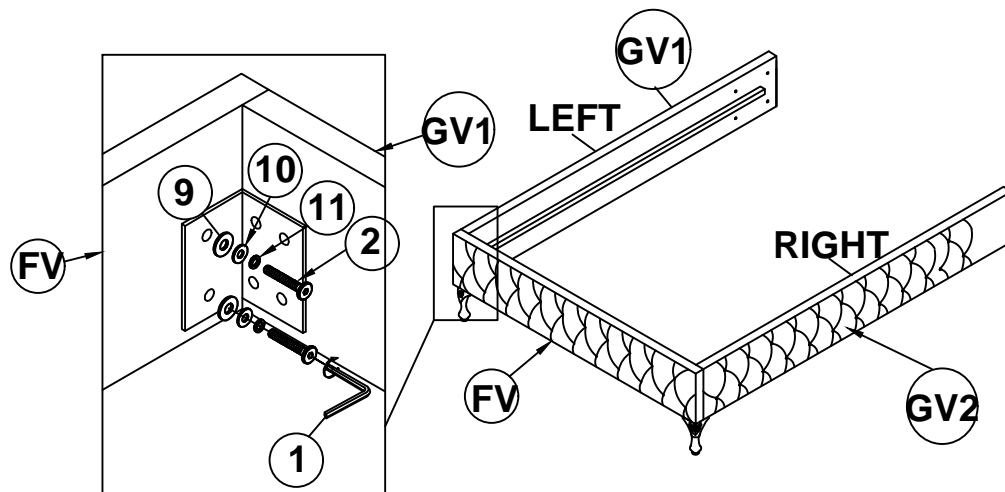
**STEP 4**



**STEP 5**

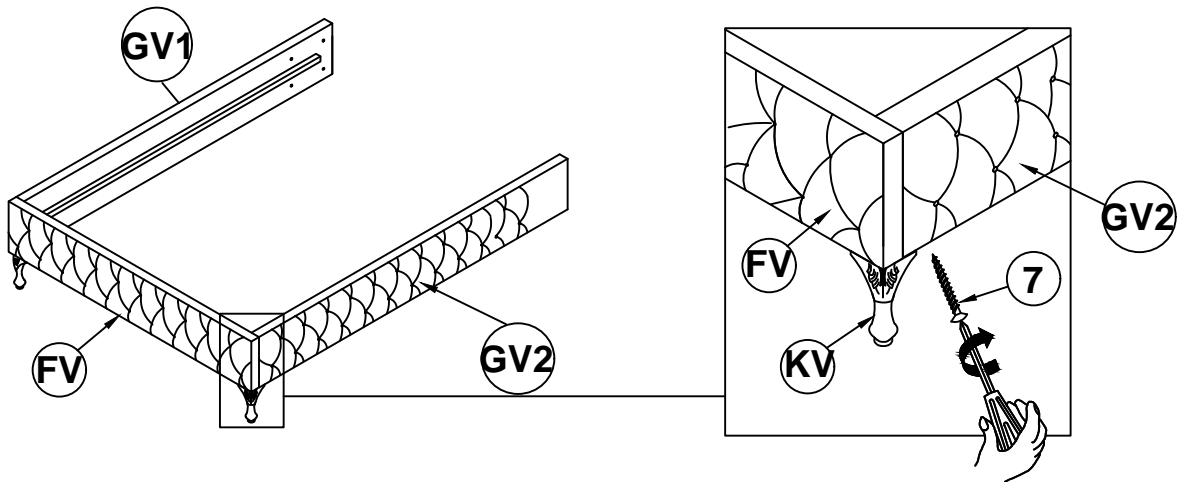


**STEP 6**

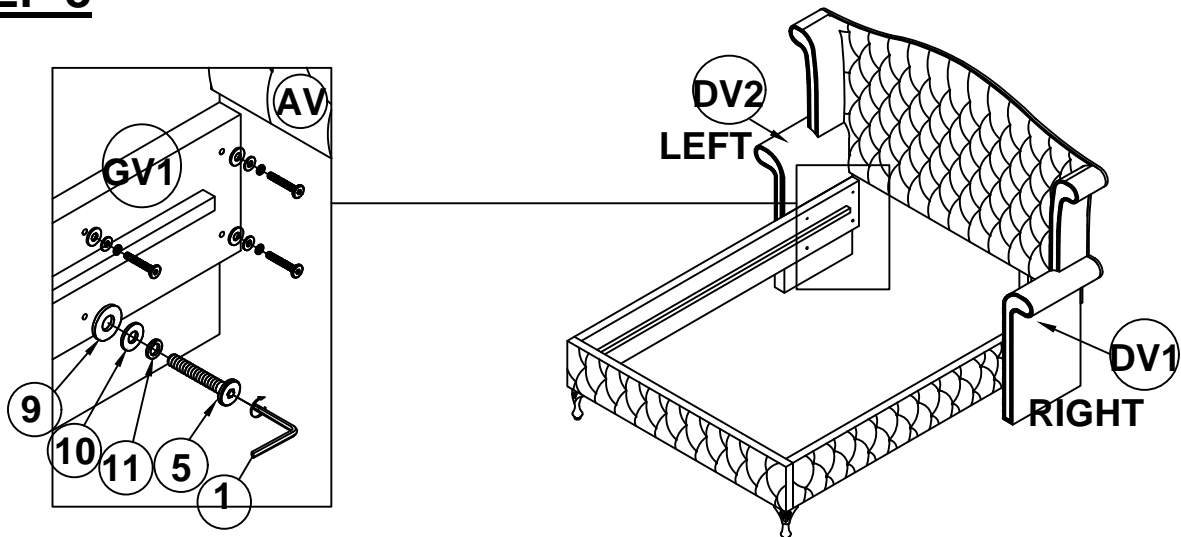


**ASSEMBLY INSTRUCTIONS**

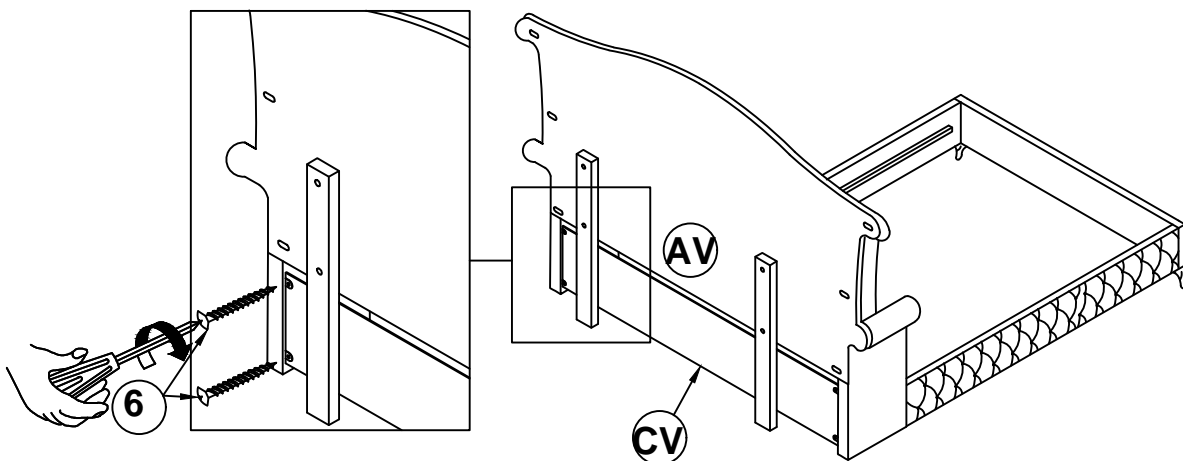
**STEP 7**



**STEP 8**



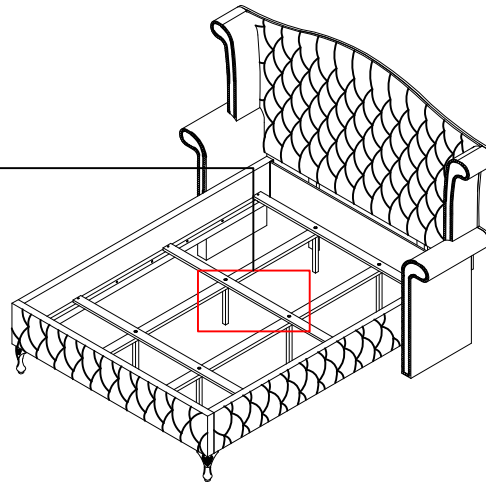
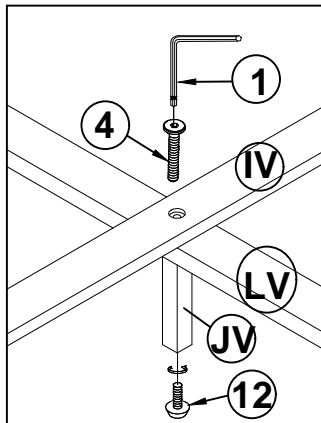
**STEP 9**



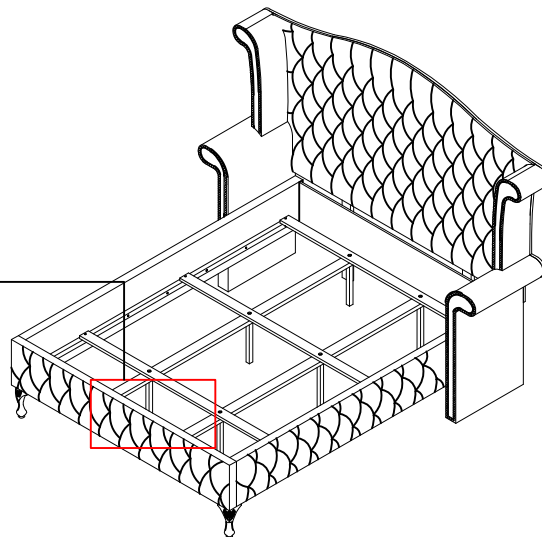
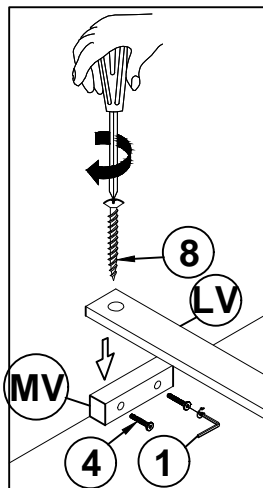
# ITEM: 205101Q (B1-B3)

## ASSEMBLY INSTRUCTIONS

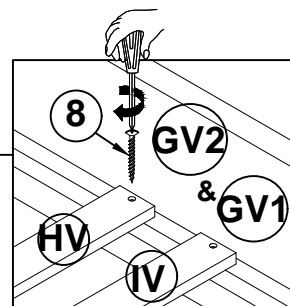
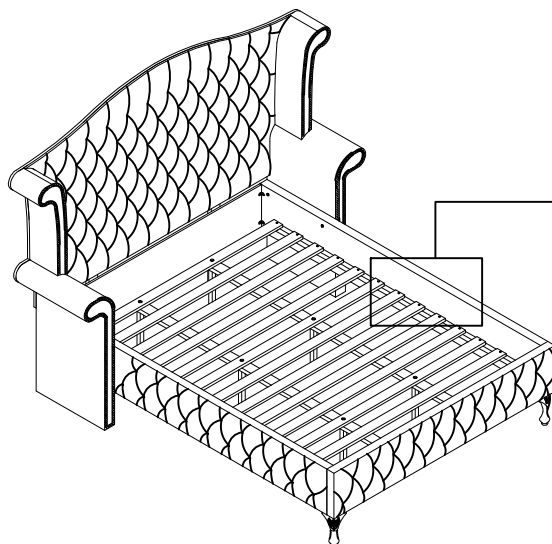
### STEP 10



### STEP 11



### STEP 12



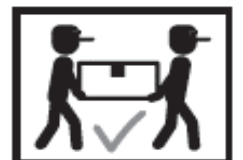
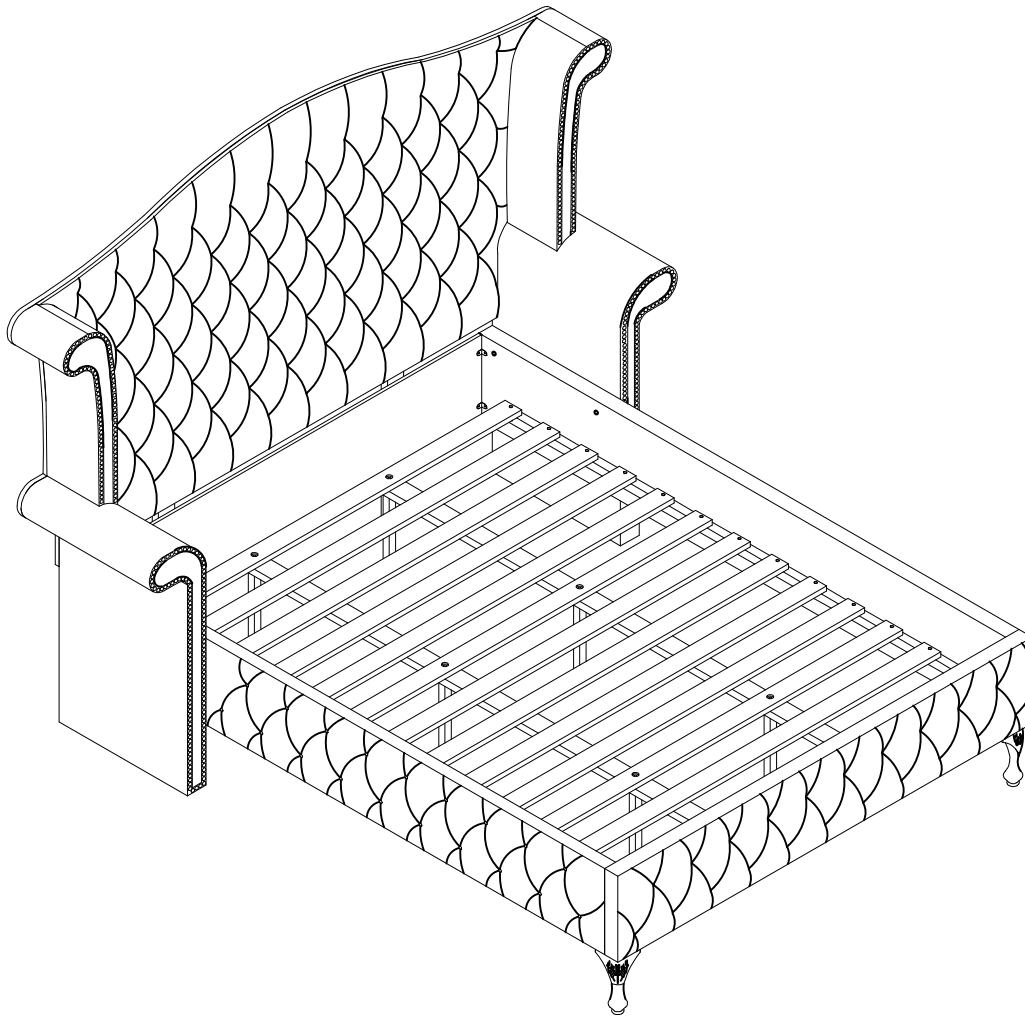
ITEM: **205101Q (B1-B3)**



**ASSEMBLY INSTRUCTIONS**

**STEP 13**

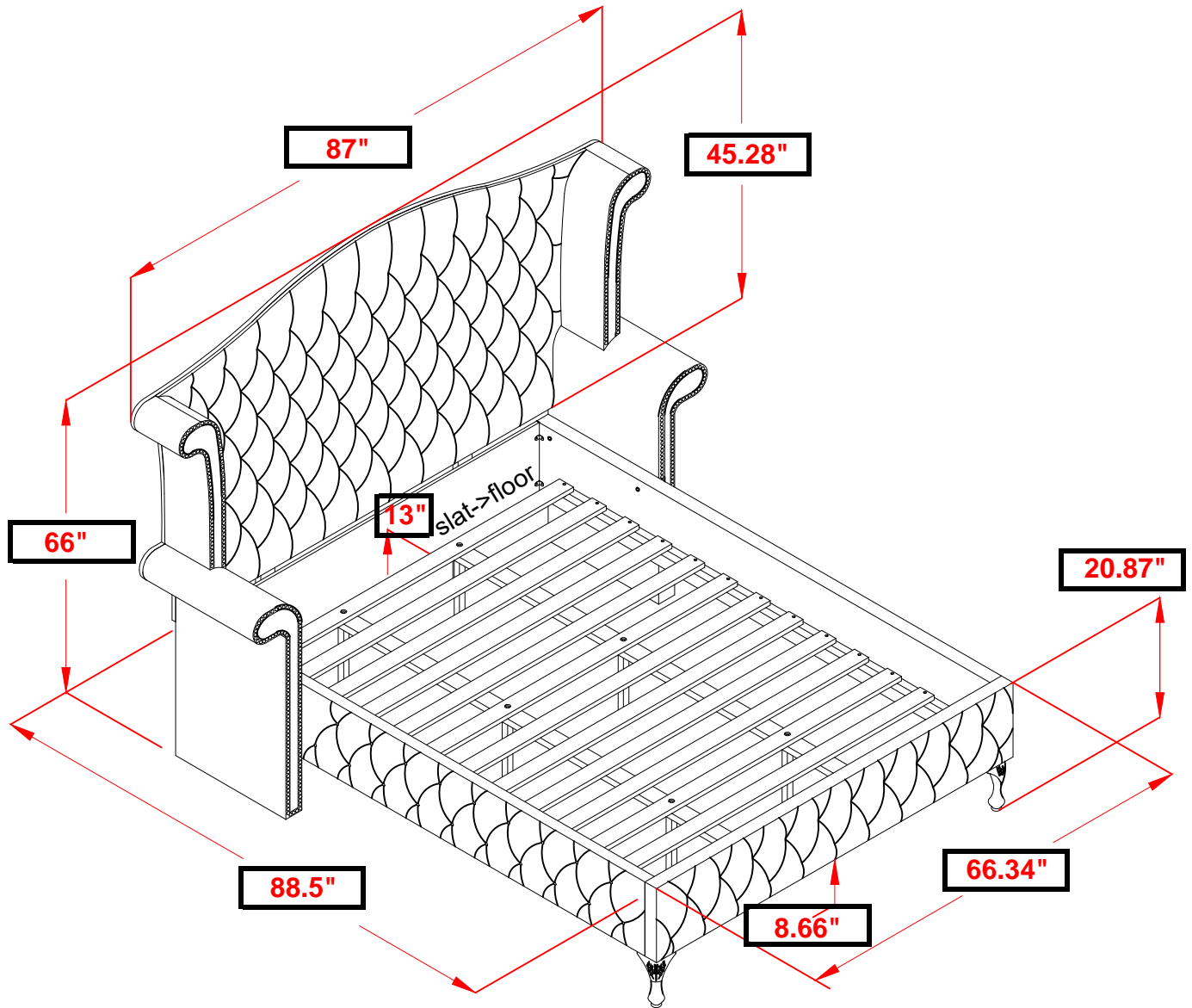
**COMPLETE**





ITEM: 205101Q (B1-B3)

INNER SIZE : 61.02" X 81.1"



Note : Dimension tolerance  $\pm 5\%$