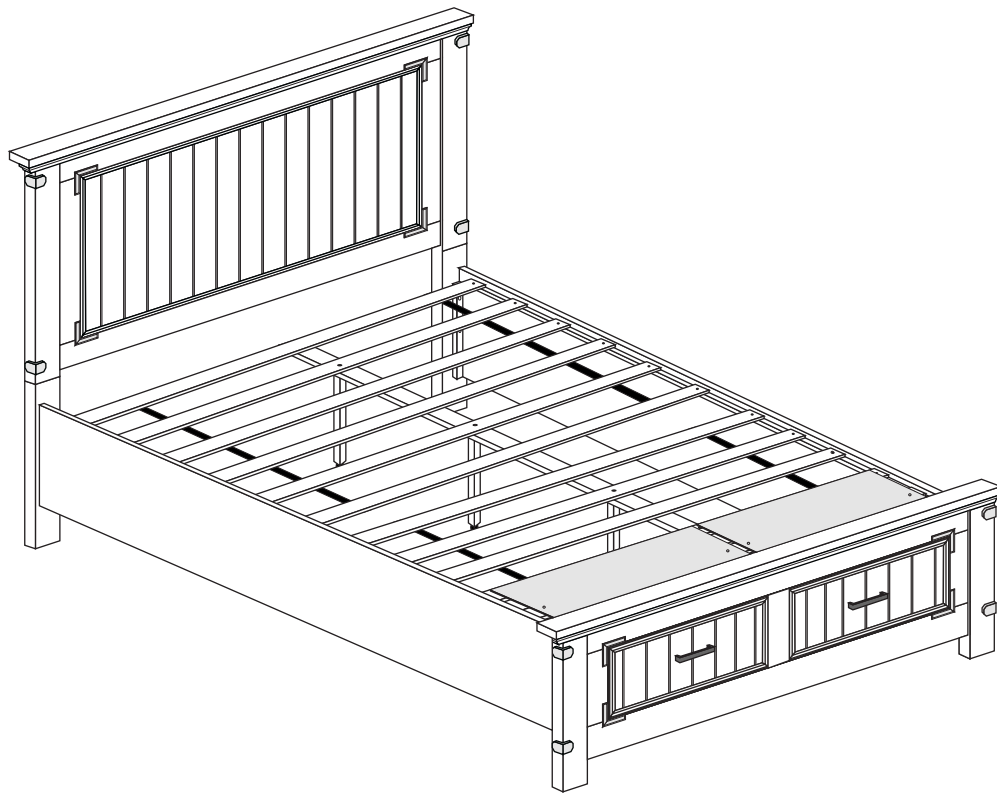


*ASSEMBLY INSTRUCTIONS*  
*COASTER FINE FURNITURE*



*Fine Furniture for every stage of life*

**205260Q (B1-B3)**  
**Queen Storage Bed**

REVISION 0:07/27/2016

REVISION 1:11/20/2018

REVISION 2:11/08/2019

COASTERFURNITURE.COM

# ITEM: 205260Q (B1 - B3)



## ASSEMBLY INSTRUCTIONS

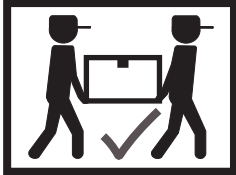
### ASSEMBLY TIPS:

- 1 . Remove hardware from box and sort by size.
- 2 . Please check to see that all hardware and parts are present prior to start of assembly.
- 3 . Please follow attached instructions in the same sequence as numbered to assure fast & easy assembly.



### WARNING!

- 1 . Don't attempt to repair or modify parts that are broken or defective. Please contact the store immediately.
- 2 . This product is for home use only and not intended for commercial establishments.



ASSEMBLY TIME

40 MINUTES

## PARTS IDENTIFICATION

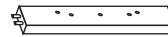
### B1 (BOX 1)

A HEADBOARD PANEL



1PC

B RIGHT HEADBOARD LEG



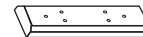
1PC

C LEFT HEADBOARD LEG



1PC

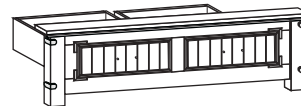
D WOOD CLEAT



2PCS

### B2 (BOX 2)

E STORAGE FOOTBOARD



1PC

### B3 (BOX 3)

F BED RAIL



2PCS

G HEADBOARD ROLL SLAT  
(6PCS)



1SET

H FOOTBOARD ROLL SLAT  
(6PCS)



1SET

I CENTER RAIL



1PC

J CENTER RAIL SUPPORT WITH  
LEVELER ( WITHOUT HOLE)



3PCS

K CENTER RAIL SUPPORT WITH  
LEVELER ( WITH HOLE)



1PC

L CONCEAL PANEL



2PCS

HB 205260Q (B1)  
FROM BOX 1  
HEADBOARD COMPLETE



1PC

E 205260Q (B2)  
FROM BOX 2  
STORAGE FOOTBOARD



1PC

# ITEM:205260Q (B1 - B3)

## ASSEMBLY INSTRUCTIONS



### ASSEMBLY TIPS:

- 1 . Remove hardware from box and sort by size.
- 2 . Please check to see that all hardware and parts are present prior to start of assembly.
- 3 . Please follow attached instructions in the same sequence as numbered to assure fast & easy assembly.









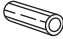


### WARNING!

- 1 . Don't attempt to repair or modify parts that are broken or defective. Please contact the store immediately.
- 2 . This product is for home use only and not intended for commercial establishments.

## HARDWARE IDENTIFICATION

### Z-B3 (BOX 3) - HARDWARE PACK IS LOCATED IN 205260Q (B3)

1	<b>LONG BOLT</b> (M6 x 60mm - RBW)		16PCS
2	<b>SHORT BOLT</b> (M6 x 40mm - RBW)		12PCS
3	<b>BIG FLAT WASHER</b> (M6 x 19mm - RBW)		12PCS
4	<b>SMALL FLAT WASHER</b> (M6 x 13mm - RBW)		12PCS
5	<b>LOCK WASHER</b> (M6 x 13mm - RBW)		24PCS
6	<b>LONG FLAT HEAD SCREW</b> (M4 x 30mm - RBW)		25PCS
7	<b>SHORT FLAT HEAD SCREW</b> (M4 x 16mm - RBW)		8PCS
8	<b>ALLEN WRENCH</b> (M4 x 58mm- BLK)		1PC
9	<b>WOOD DOWEL</b> (Ø 10 x 30mm)		8PCS

### NOTE :

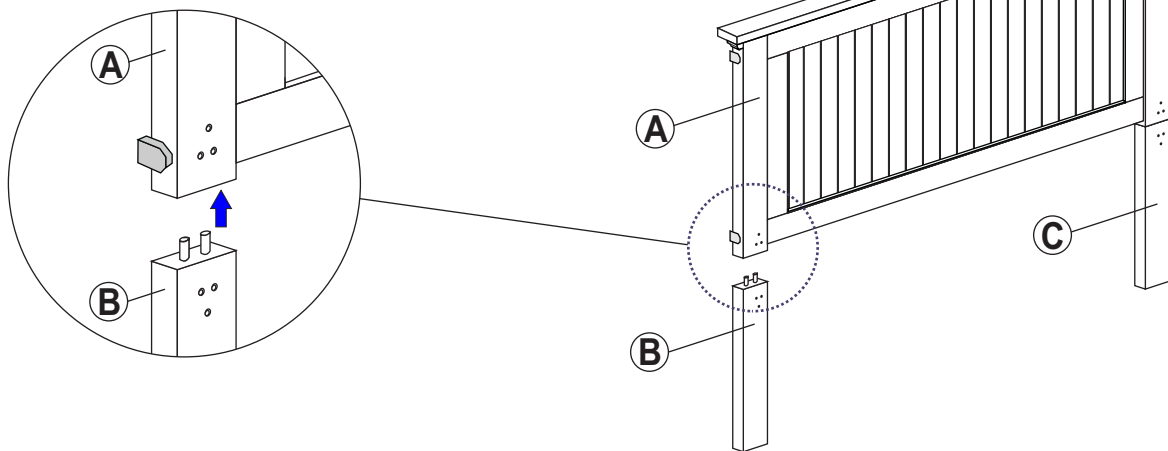
Phillips head screw driver is required in the assembly process; however, manufacturer does not provide this item.

# ITEM: 205260Q (B1 - B3)

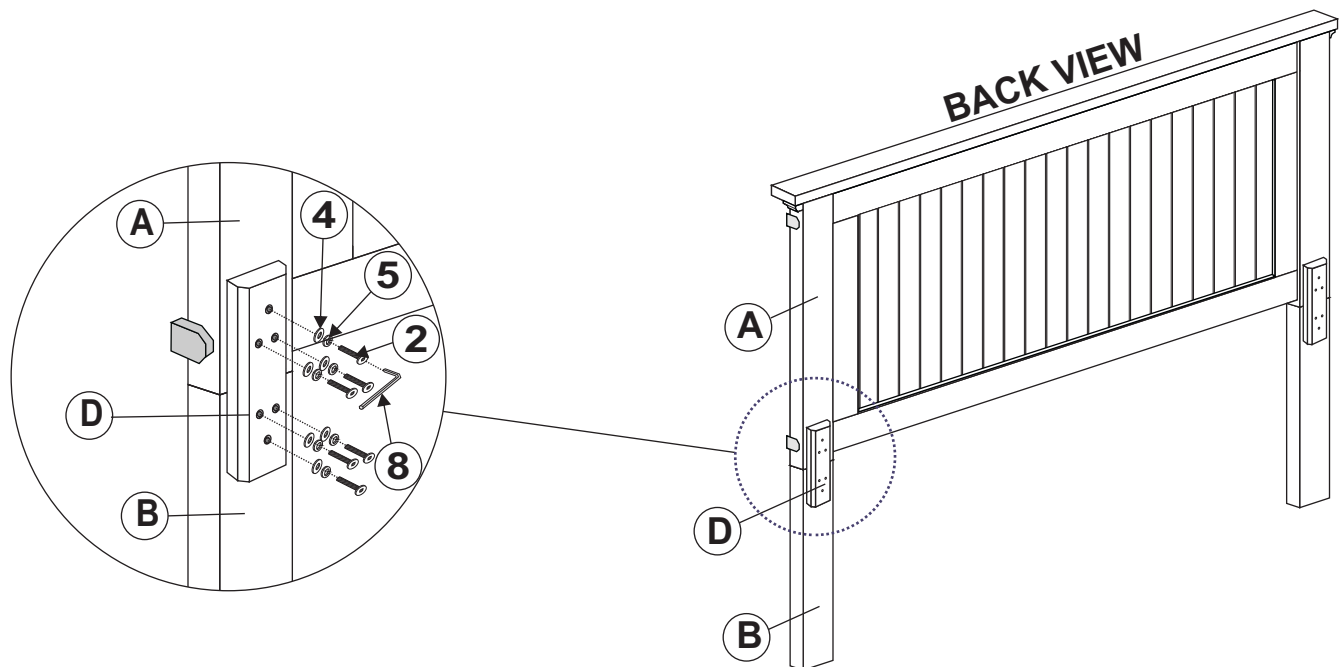
## ASSEMBLY INSTRUCTIONS



### STEP 1



### STEP 2

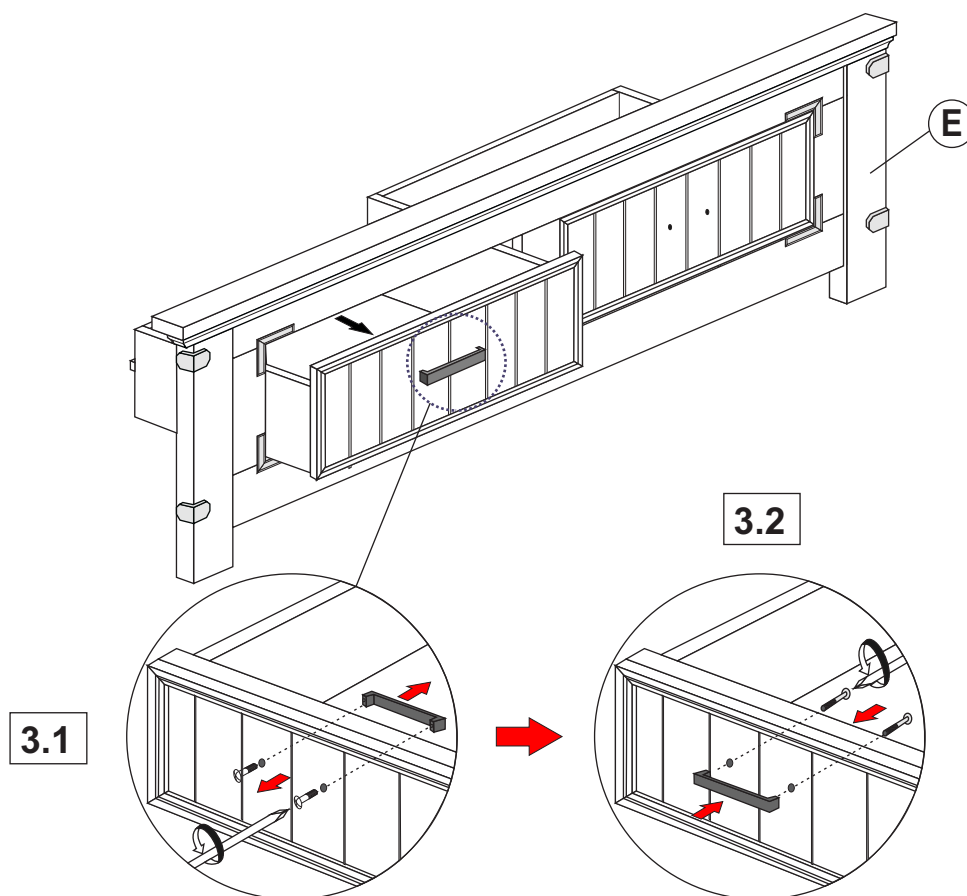


# ITEM: 205260Q (B1 - B3)

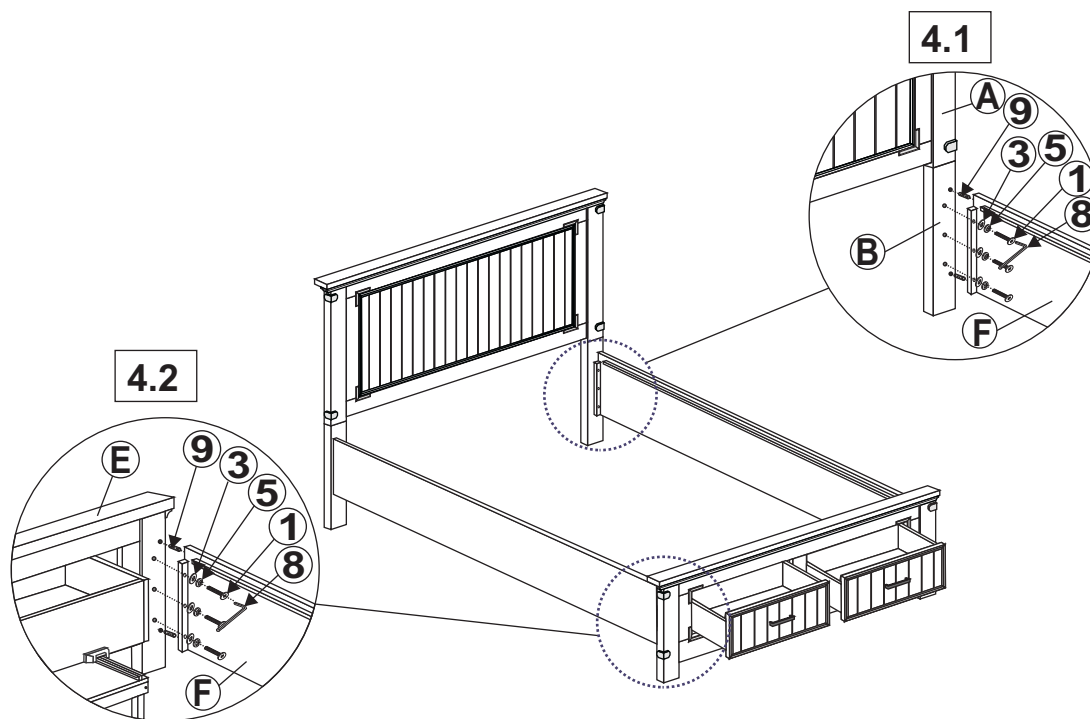
## ASSEMBLY INSTRUCTIONS



### STEP 3



### STEP 4

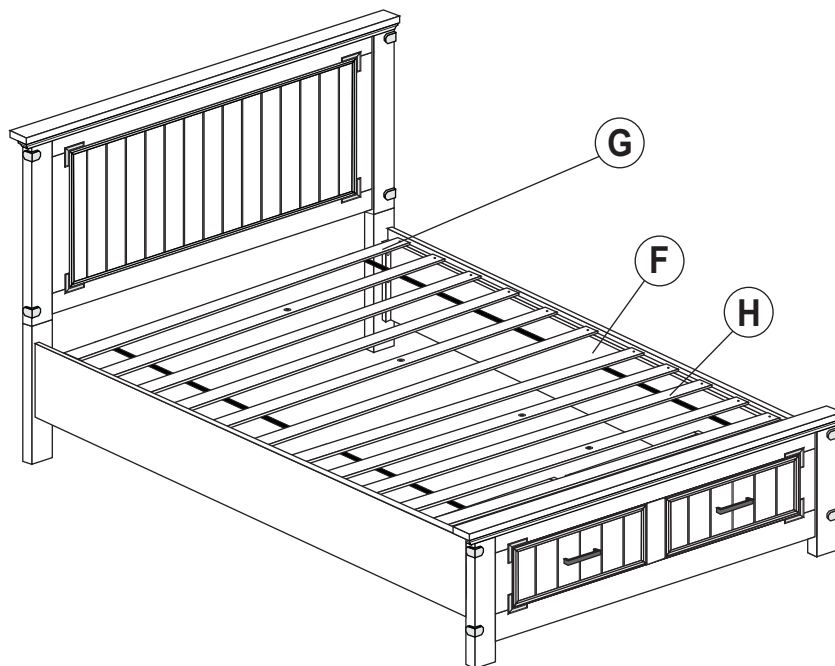


# ITEM: 205260Q (B1 - B3)

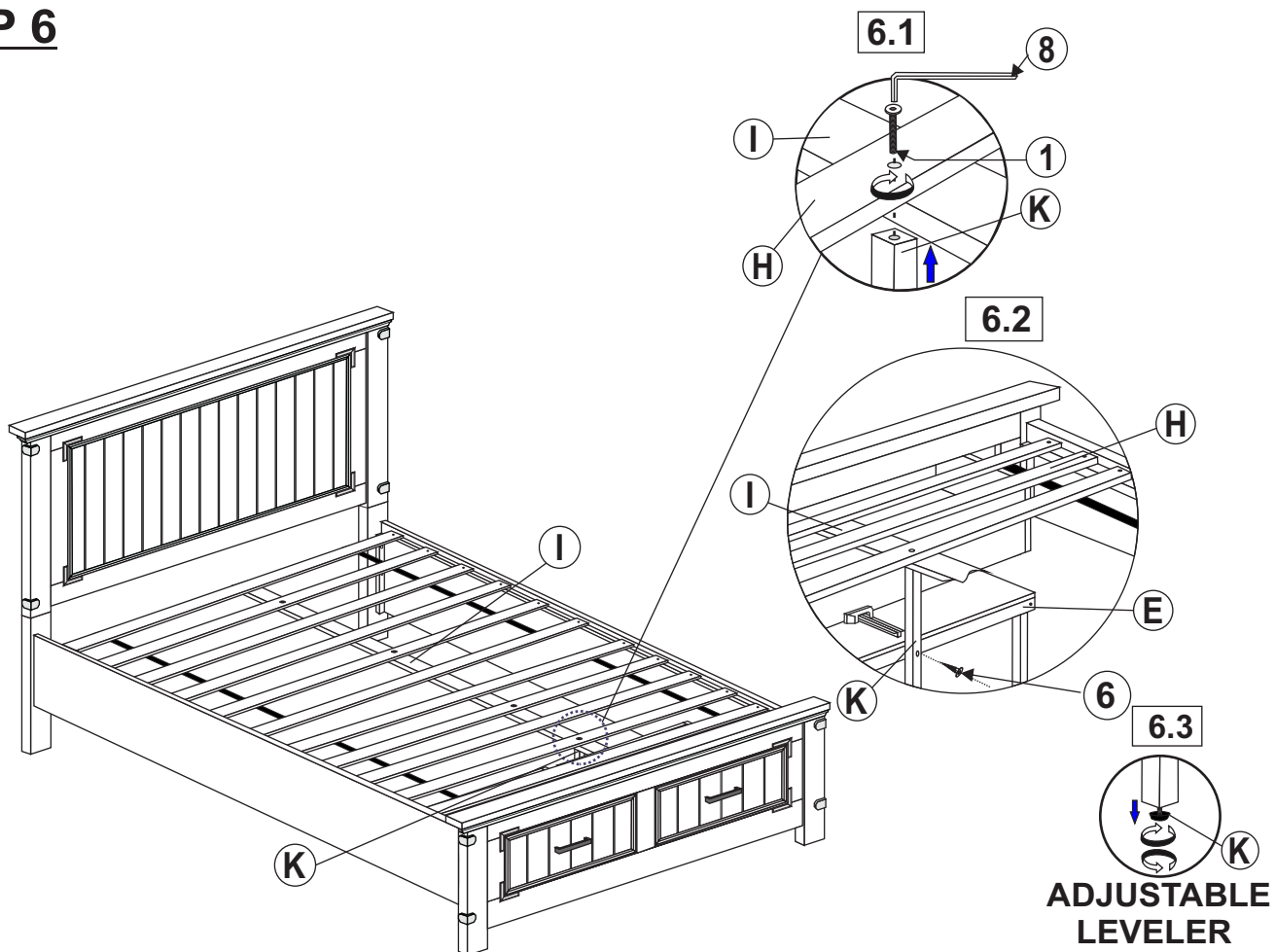
## ASSEMBLY INSTRUCTIONS



### STEP 5



### STEP 6

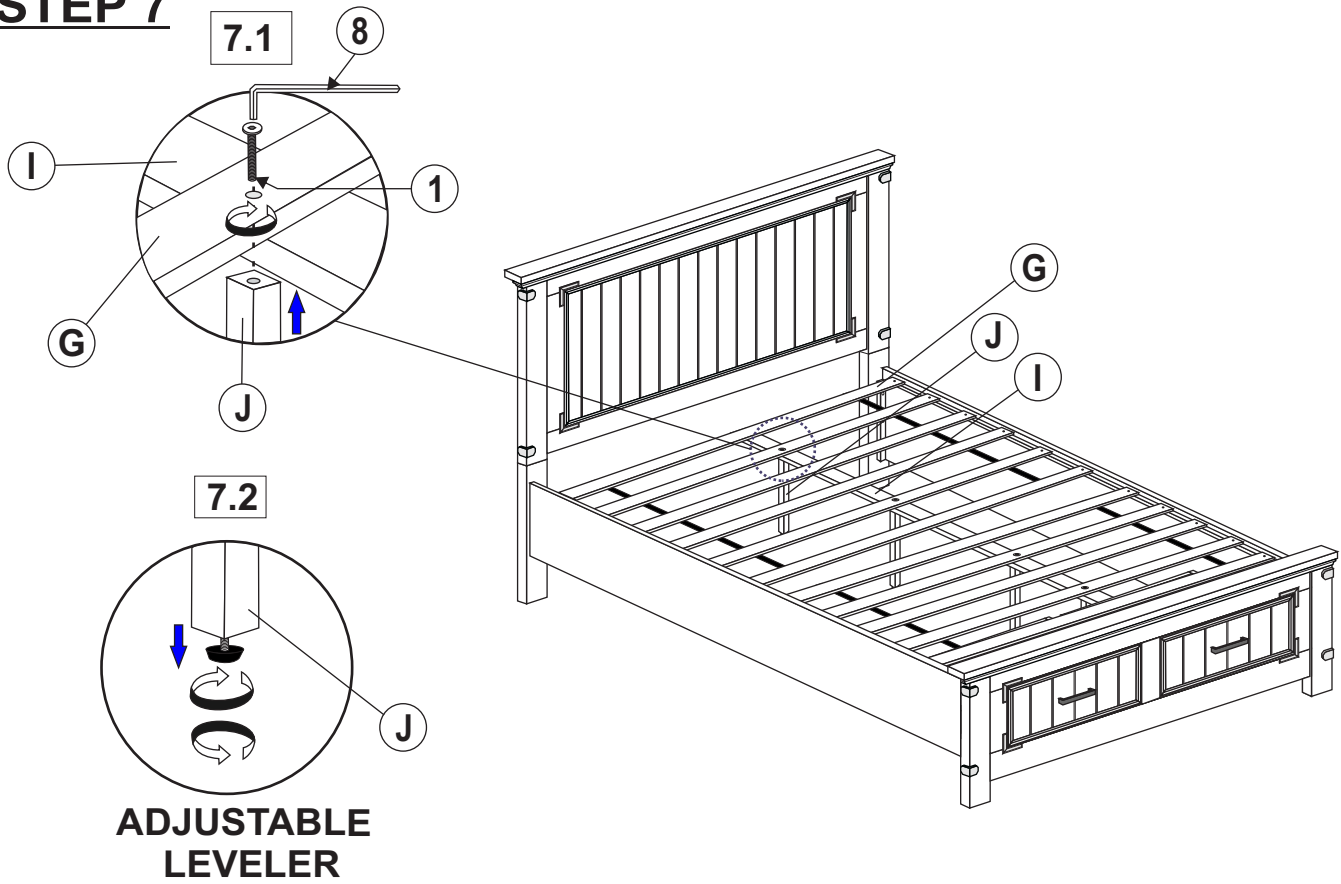


# ITEM: 205260Q (B1 - B3)

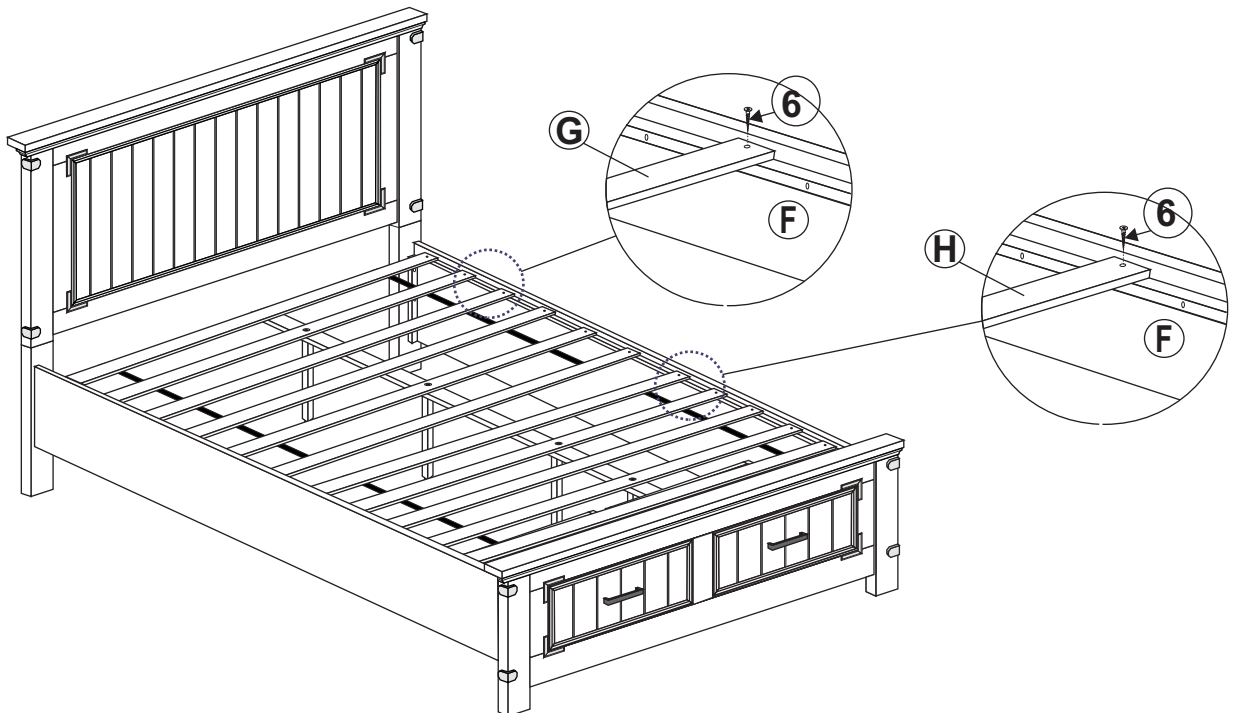
## ASSEMBLY INSTRUCTIONS



### STEP 7



### STEP 8

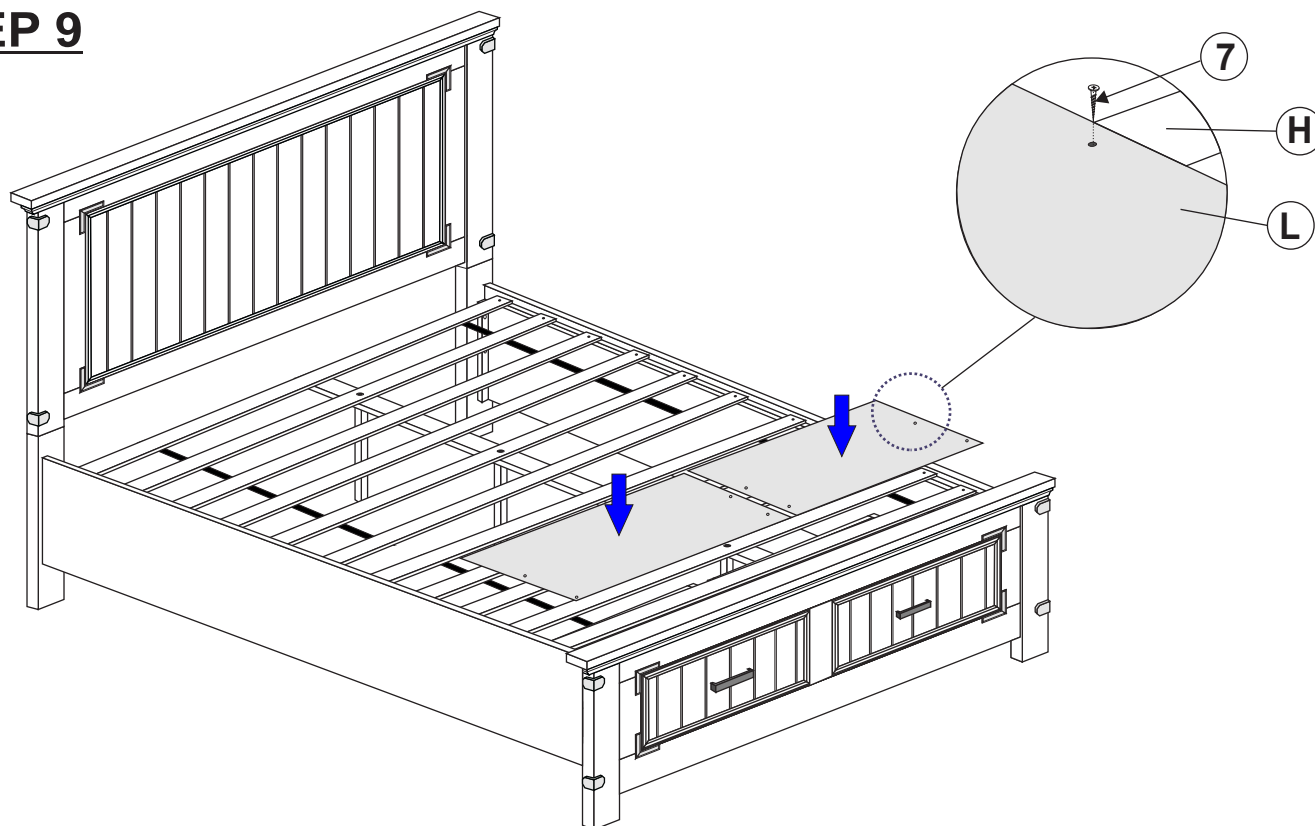


# ITEM: 205260Q (B1 - B3)

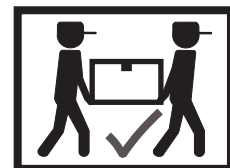
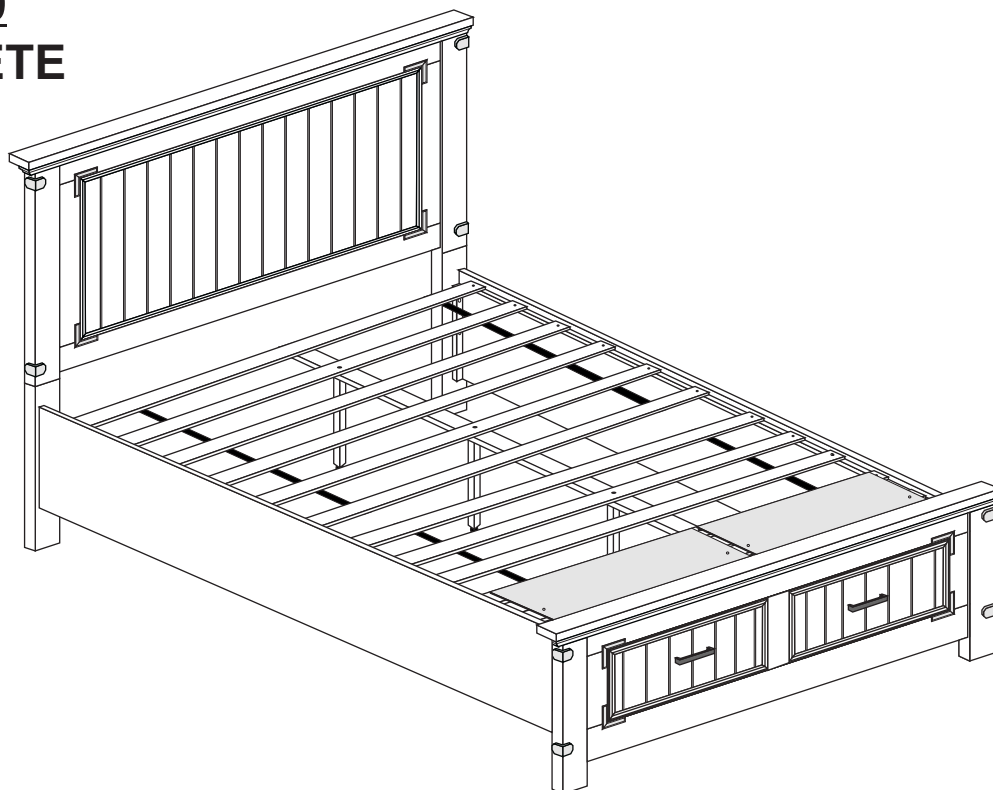
## ASSEMBLY INSTRUCTIONS



### STEP 9

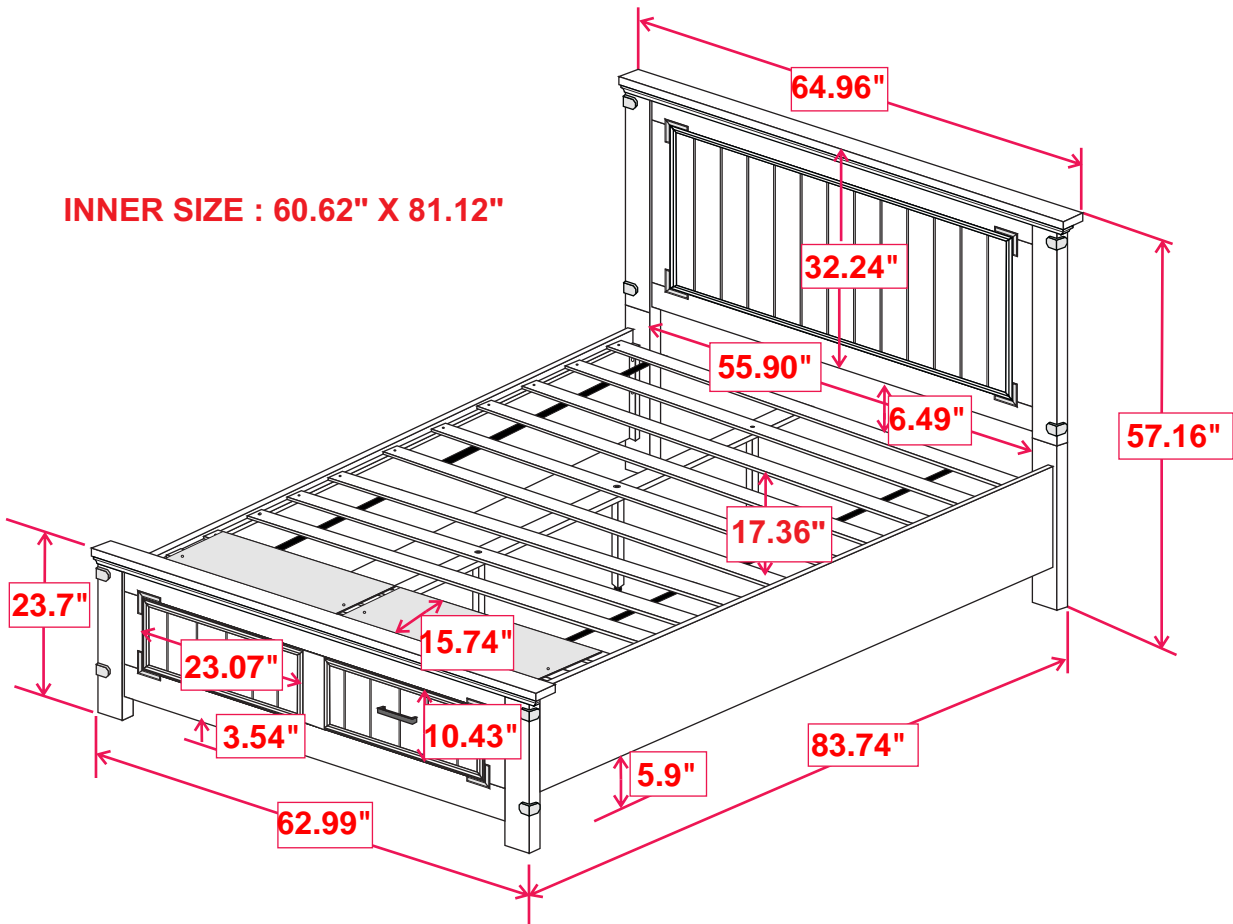


### STEP 10 COMPLETE





ITEM:205260Q (B1 - B3)



Note : Dimension tolerance  $\pm 5\%$