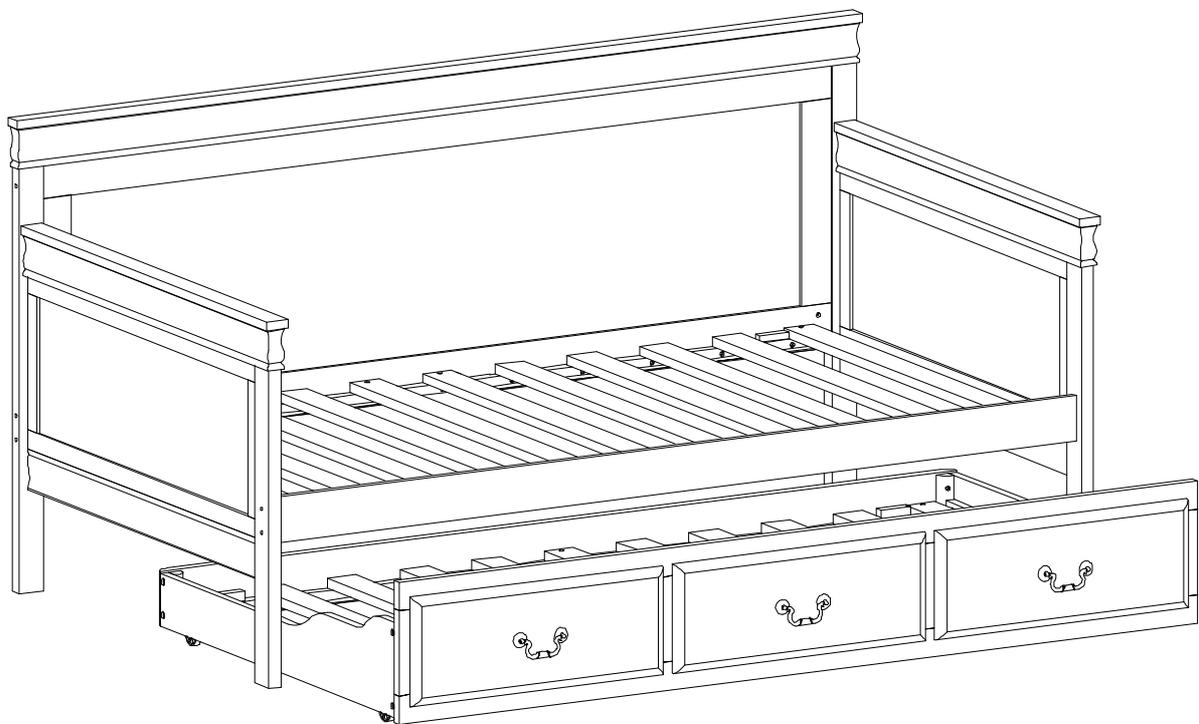




# ASSEMBLY INSTRUCTIONS COASTER FINE FURNITURE



*Fine Furniture for every stage of life*

## **300036BLK (B1-B3)** ***Daybed With Trundle***

REVISION 0 : 12/01/2007  
REVISION 1 : 12/06/2012  
REVISION 2 : 12/16/2019

# ITEM: 300036BLK (B1-B3)



## ASSEMBLY INSTRUCTIONS

### ASSEMBLY TIPS:

1. Remove hardware from box and sort by size.
2. Please check to see that all hardware and parts are present prior to start of assembly.
3. Please follow attached instructions in the same sequence as numbered to assure fast & easy assembly.

### WARNING!



1. Don't attempt to repair or modify parts that are broken or defective. Please contact the store immediately.
2. This product is for home use only and not intended for commercial establishments.



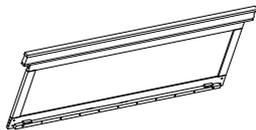
ASSEMBLY TIME

30 MINUTES

## PARTS IDENTIFICATION

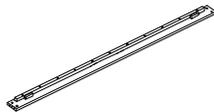
### B1 (BOX 1)

C BACK PANEL



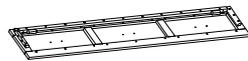
1PC

D BED RAIL



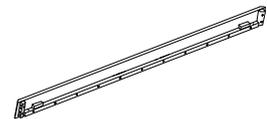
1PC

F TRUNDLE FRONT PANEL



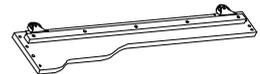
1PC

G TRUNDLE BACK PANEL



1PC

H TRUNDLE RIGHT SIDE PANEL WITH CASTER



1PC

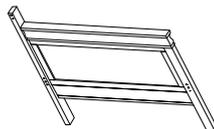
I TRUNDLE LEFT SIDE PANEL WITH CASTER



1PC

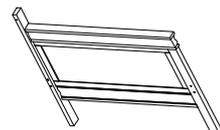
### B2 (BOX 2)

A RIGHT SIDE PANEL



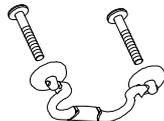
1PC

B LEFT SIDE PANEL



1PC

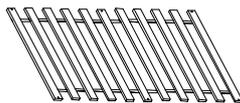
Y HANDLE WITH SCREW



3SETS

### B3 (BOX 3)

E ROLL SLAT (11PCS)



2SETS

# ITEM: 300036BLK (B1-B3)



## ASSEMBLY INSTRUCTIONS

### ASSEMBLY TIPS:

1. Remove hardware from box and sort by size.
2. Please check to see that all hardware and parts are present prior to start of assembly.
3. Please follow attached instructions in the same sequence as numbered to assure fast & easy assembly.

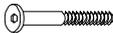
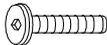
### WARNING!



1. Don't attempt to repair or modify parts that are broken or defective. Please contact the store immediately.
2. This product is for home use only and not intended for commercial establishments.

## HARDWARE IDENTIFICATION

### Z-B2 (BOX 2) HARDWARE PACK IS LOCATED IN 300036BLK (B2)

1	<b>MEDIUM BOLT</b> (M6 x 70 x 13mm - RBW)		4PCS	6	<b>SHORT BOLT</b> (M6 x 30 x 13mm - RBW)		8PCS
2	<b>LONG BOLT</b> (M6 x 100 x 13mm - RBW)		6PCS	7	<b>FLAT HEAD SCREW</b> (4 x 30mm - RBW)		12PCS
3	<b>BARREL NUT</b> (M6 x 13mm - RBW)		8PCS	8	<b>WOOD PLUG</b> (17 x 14 x 11mm)		10PCS
4	<b>LONG WOOD DOWEL</b> (10 x 40mm)		6PCS	9	<b>ALLEN WRENCH</b> (4 x 58mm - BLK)		1PC
5	<b>SHORT WOOD DOWEL</b> (10 x 30mm)		8PCS				

### NOTE :

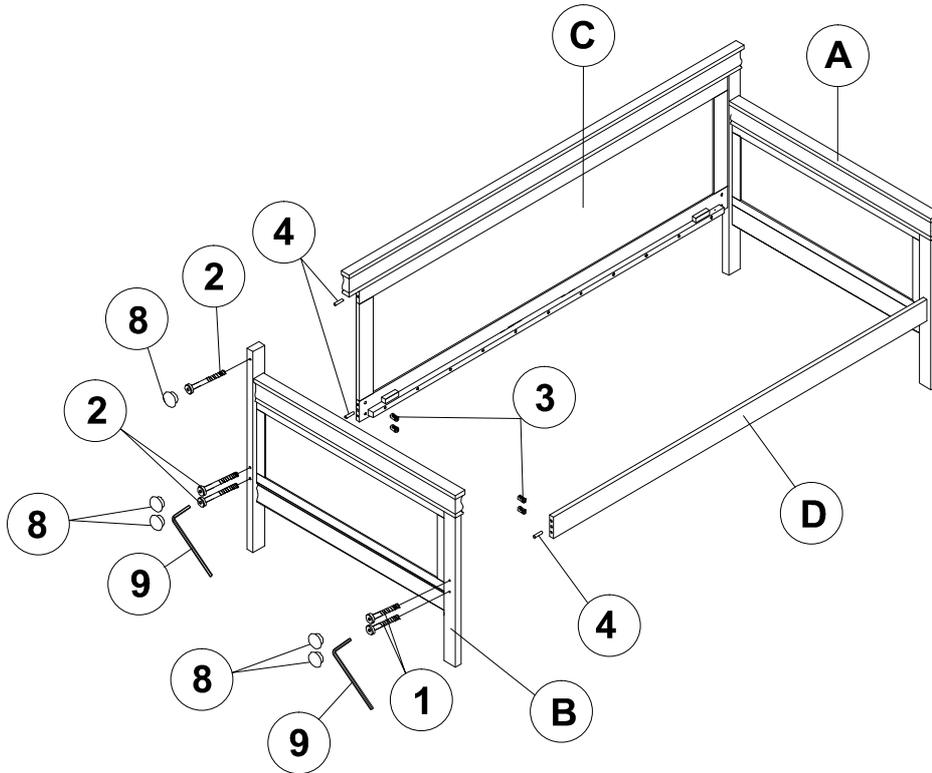
Phillips head screw driver is required in the assembly process; however, manufacturer does not provide this item.

ITEM: **300036BLK (B1-B3)**

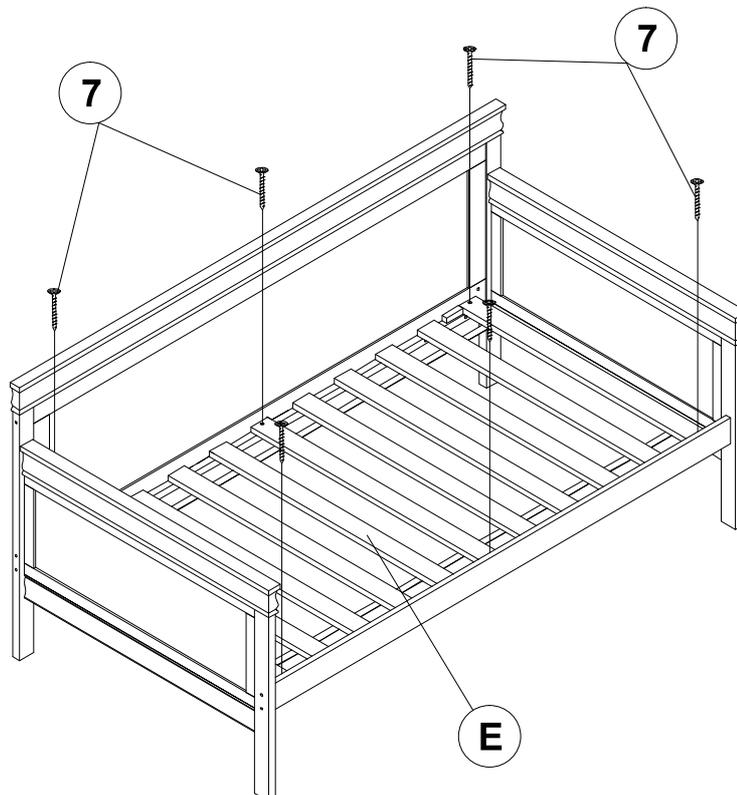


**ASSEMBLY INSTRUCTIONS**

**STEP 1**



**STEP 2**

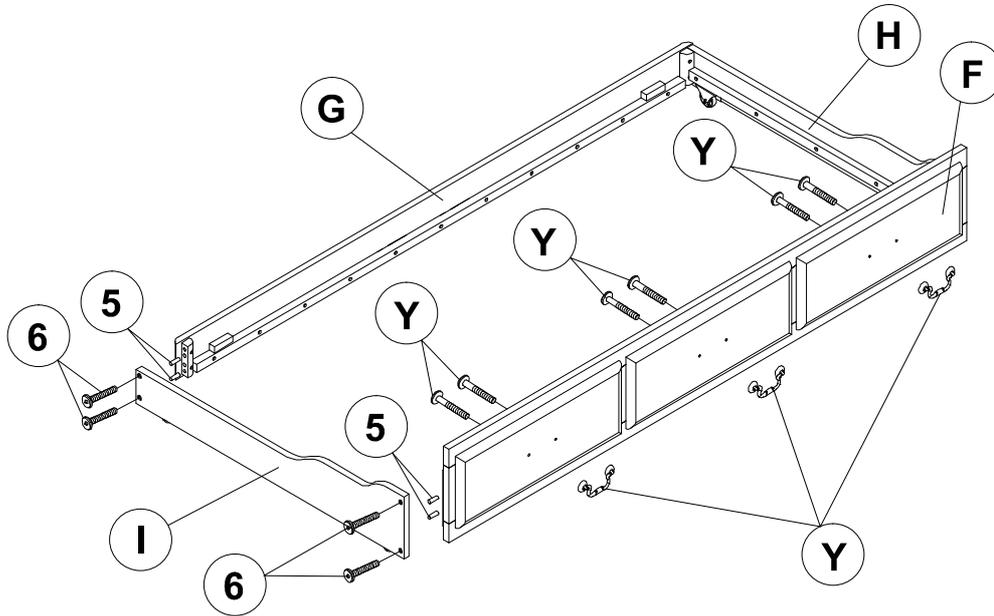


# ITEM: 300036BLK (B1-B3)

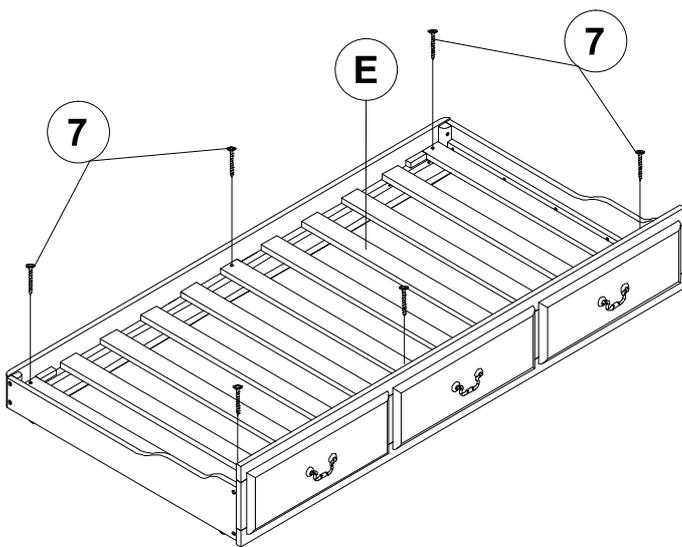


## ASSEMBLY INSTRUCTIONS

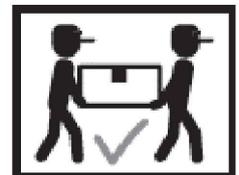
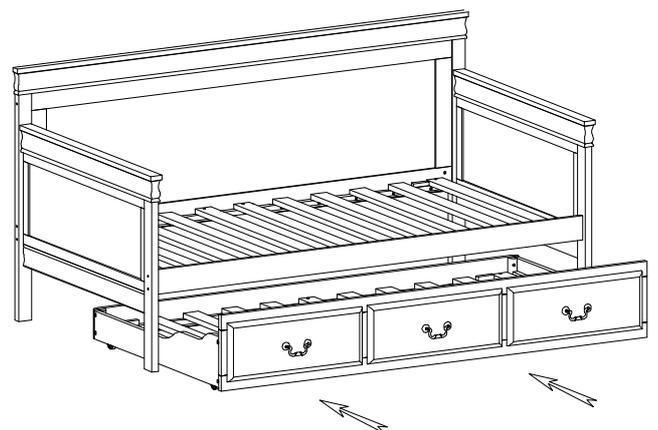
### STEP 3



### STEP 4



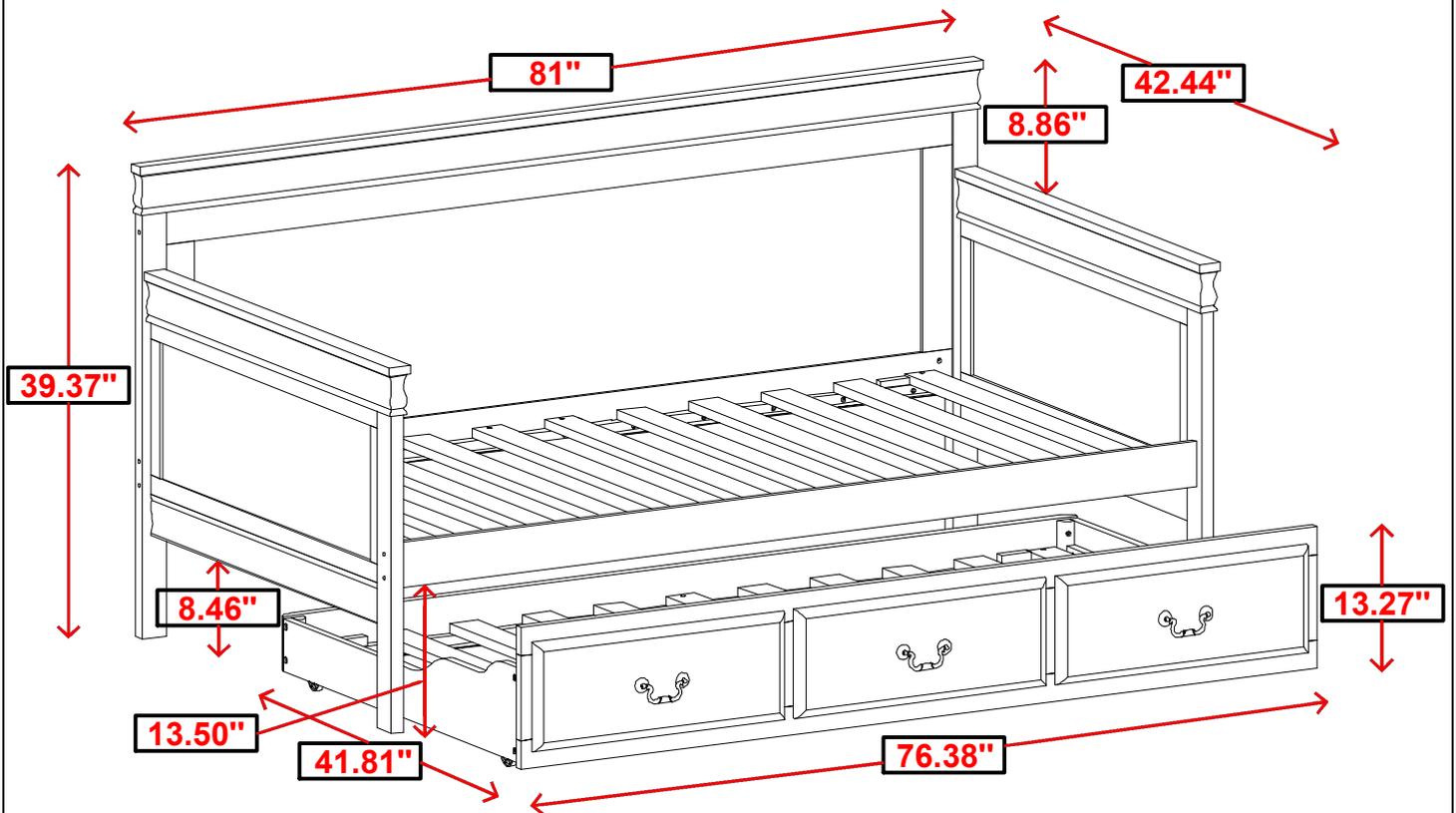
### STEP 5 COMPLETE



# ITEM: 300036BLK (B1-B3)



**INNER SIZE FOR DAYBED: 76.57" X 39.57"**  
**INNER SIZE FOR TRUNDLE: 74.69" X 40.35"**



**Note:** Dimension tolerance  $\pm 5\%$