

ASSEMBLY INSTRUCTIONS
COASTER FINE FURNITURE



Fine Furniture for every stage of life

300106 (B1-B3)
Twin Daybed With
Trundle

REVISION 0 : 06/28/2016
REVISION 1 : 09/17/2019

ITEM: 300106 (B1-B3)



ASSEMBLY INSTRUCTIONS

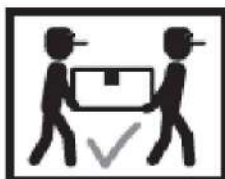
ASSEMBLY TIPS:

1. Remove hardware from box and sort by size.
2. Please check to see that all hardware and parts are present prior to start of assembly.
3. Please follow attached instructions in the same sequence as numbered to assure fast & easy assembly.

WARNING!



1. Don't attempt to repair or modify parts that are broken or defective. Please contact the store immediately.
2. This product is for home use only and not intended for commercial establishments.



ASSEMBLY TIME

30 MINUTES

PARTS IDENTIFICATION

B1 (BOX 1)

A	LEFT HEADBOARD		1PC
B	RIGHT HEADBOARD		1PC
C	ROLL SLAT (13PCS)		2SETS

D	LEFT SIDE PANEL WITH CASTER		1PC
E	RIGHT SIDE PANEL WITH CASTER		1PC

B2 (BOX 2)

F	BED RAIL		2PCS
G	FRONT FRAME		1PC
H	BACK PANEL		1PC

I	CROSSBAR		3PCS
J	TRESTLE BAR		1PC
K	DRAWER FRONT		3PCS

B3 (BOX 3)

L	DRAWER BOX		3PCS
---	------------	--	------

X	KNOB WITH SCREW		6SETS
---	-----------------	--	-------

NOTE :

Phillips head screw driver is required in the assembly process; however, manufacturer does not provide this item.

ITEM: 300106 (B1-B3)

ASSEMBLY INSTRUCTIONS

ASSEMBLY TIPS:

1. Remove hardware from box and sort by size.
2. Please check to see that all hardware and parts are present prior to start of assembly.
3. Please follow attached instructions in the same sequence as numbered to assure fast & easy assembly.

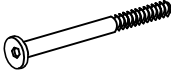
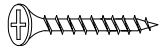

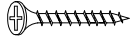



WARNING!



1. Don't attempt to repair or modify parts that are broken or defective. Please contact the store immediately.
2. This product is for home use only and not intended for commercial establishments.

HARDWARE IDENTIFICATION

Z-B3 (BOX 3) HARDWARE PACK IS LOCATED IN 300106 (B3)

1	BOLT (1/4 x 70 x 15mm - RBW)		12PCS	5	LONG FLAT HEAD SCREW (4 x 30mm - RBW)		30PCS
2	BARREL NUT (1/4 x 15mm - RBW)		12PCS	6	SHORT FLAT HEAD SCREW (3.5 x 20mm - RBW)		12PCS
3	LONG WOOD DOWEL (10 x 40mm)		6PCS	7	ALLEN WRENCH (4 x 80mm - RBW)		1PC
4	SHORT WOOD DOWEL (8 x 20mm)		6PCS				

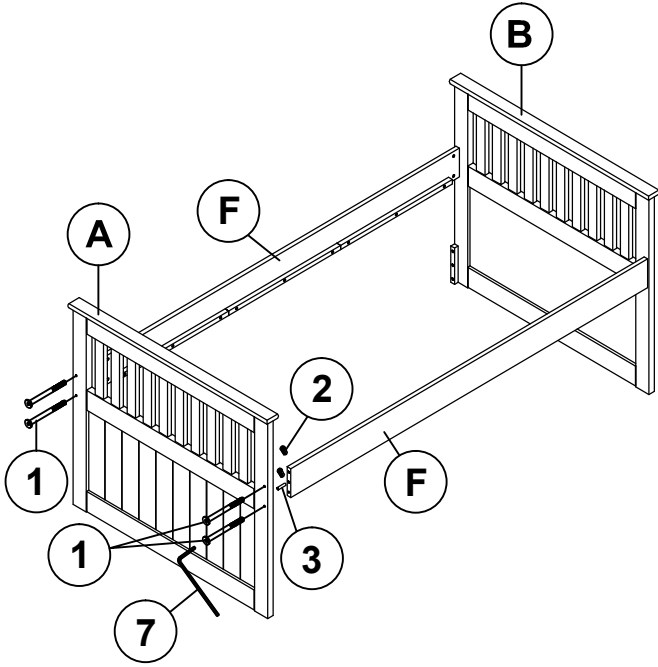
NOTE :

Phillips head screw driver is required in the assembly process; however, manufacturer does not provide this item.

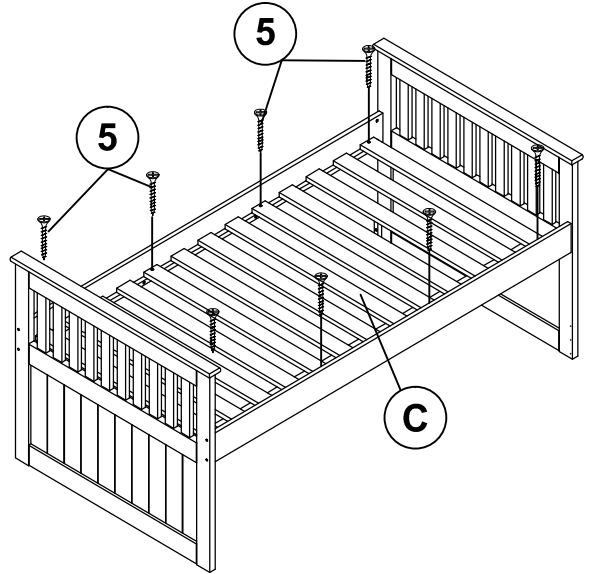
ITEM: 300106 (B1-B3)

ASSEMBLY INSTRUCTIONS

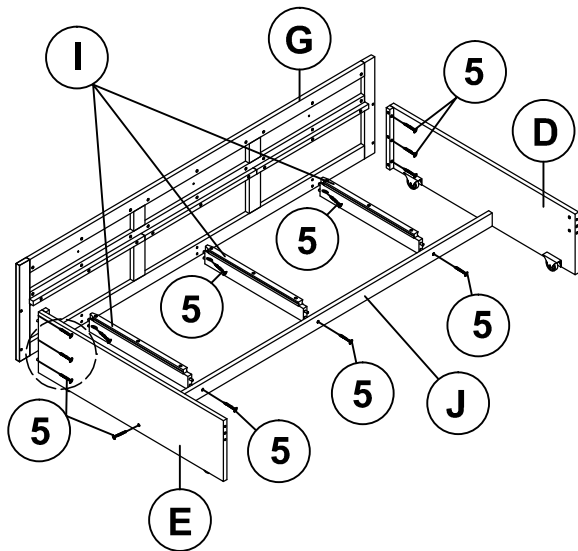
STEP 1



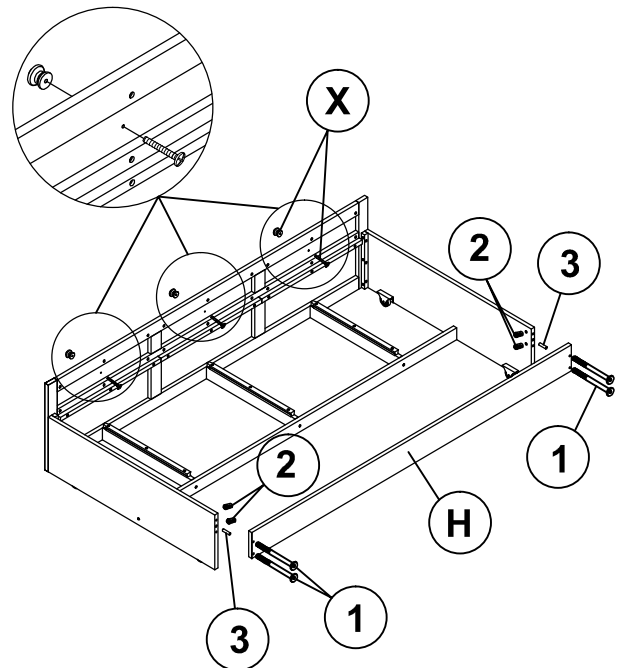
STEP 2



STEP 3



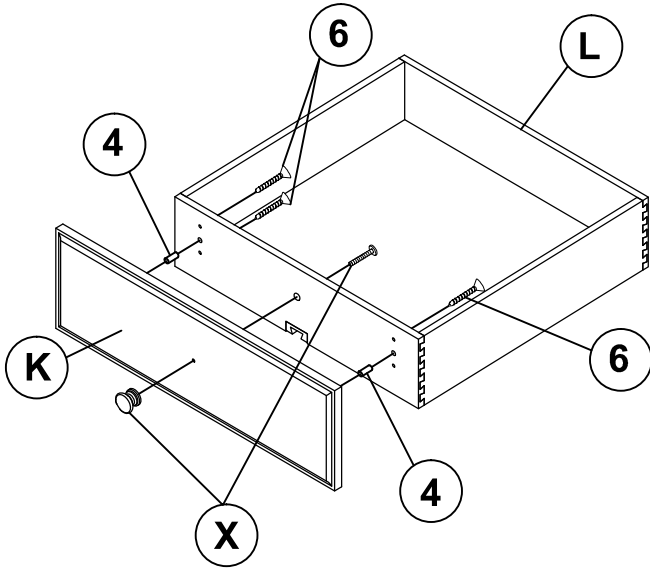
STEP 4



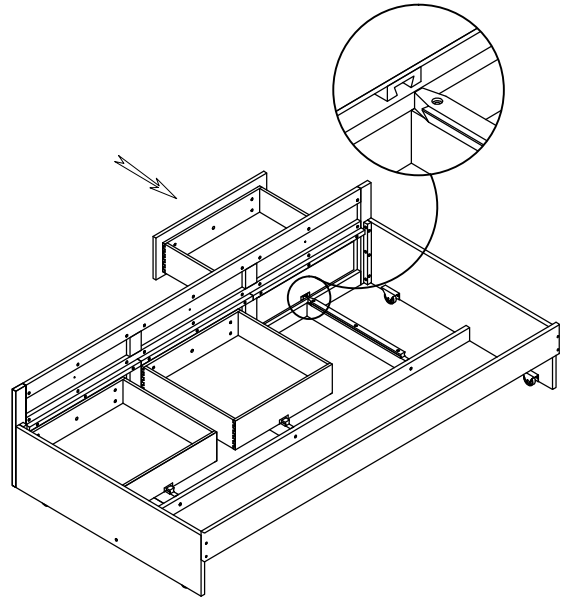
ITEM: 300106 (B1-B3)

ASSEMBLY INSTRUCTIONS

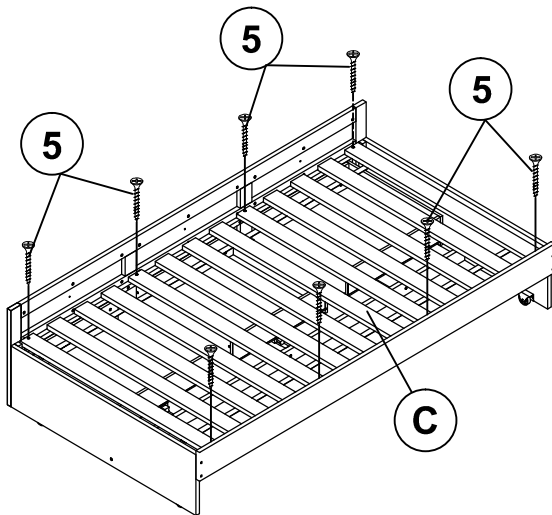
STEP 5



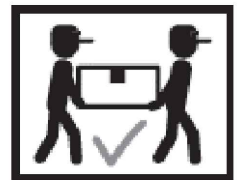
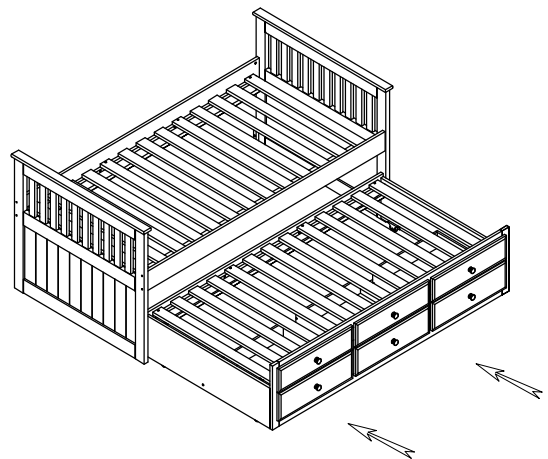
STEP 6



STEP 7



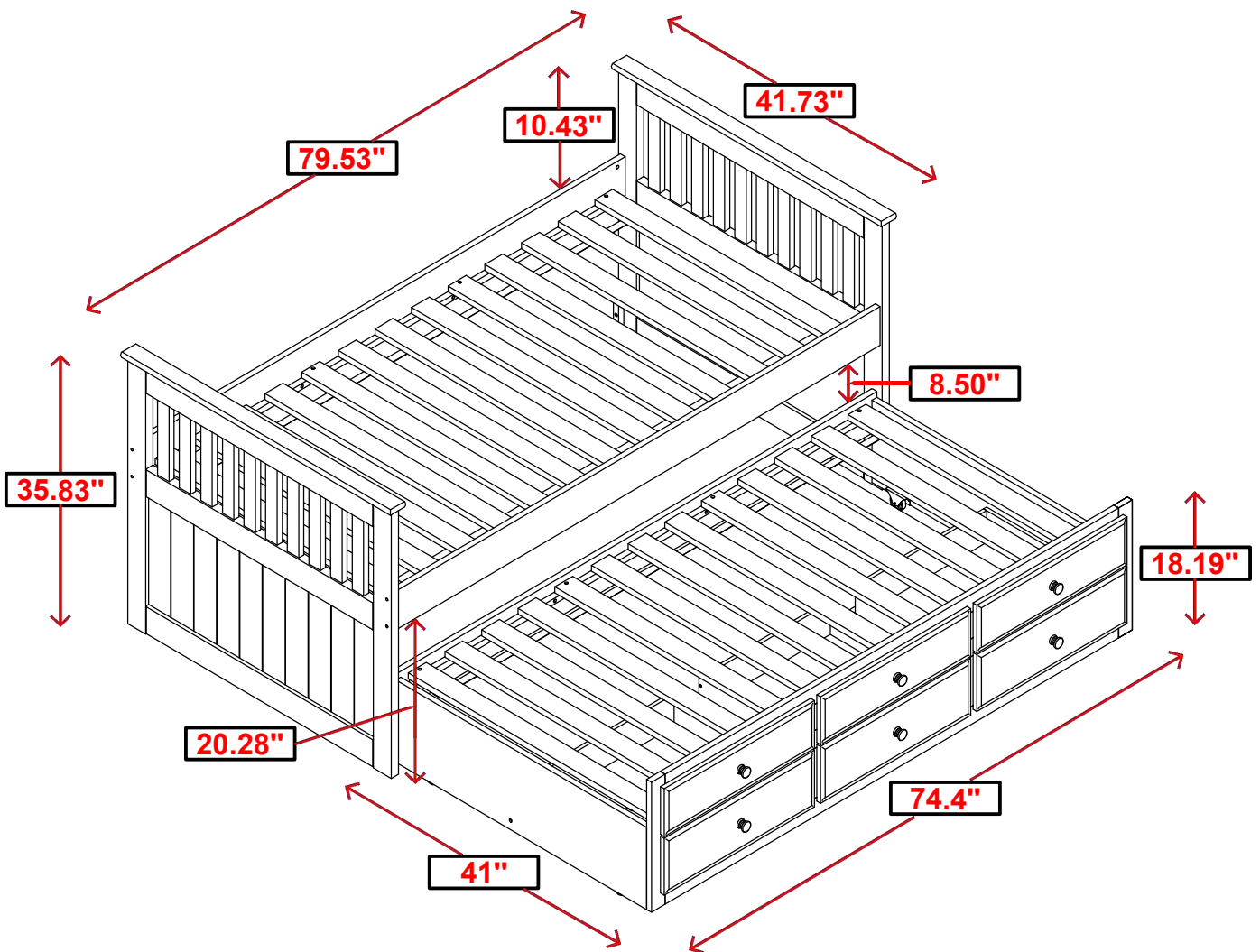
STEP 8 COMPLETE



ITEM: **300106 (B1-B3)**



INNER SIZE FOR DAYBED: 38.78" X 76"
INNER SIZE FOR TRUNDLE: 38.75" X 74.25"



Note: Dimension tolerance $\pm 5\%$