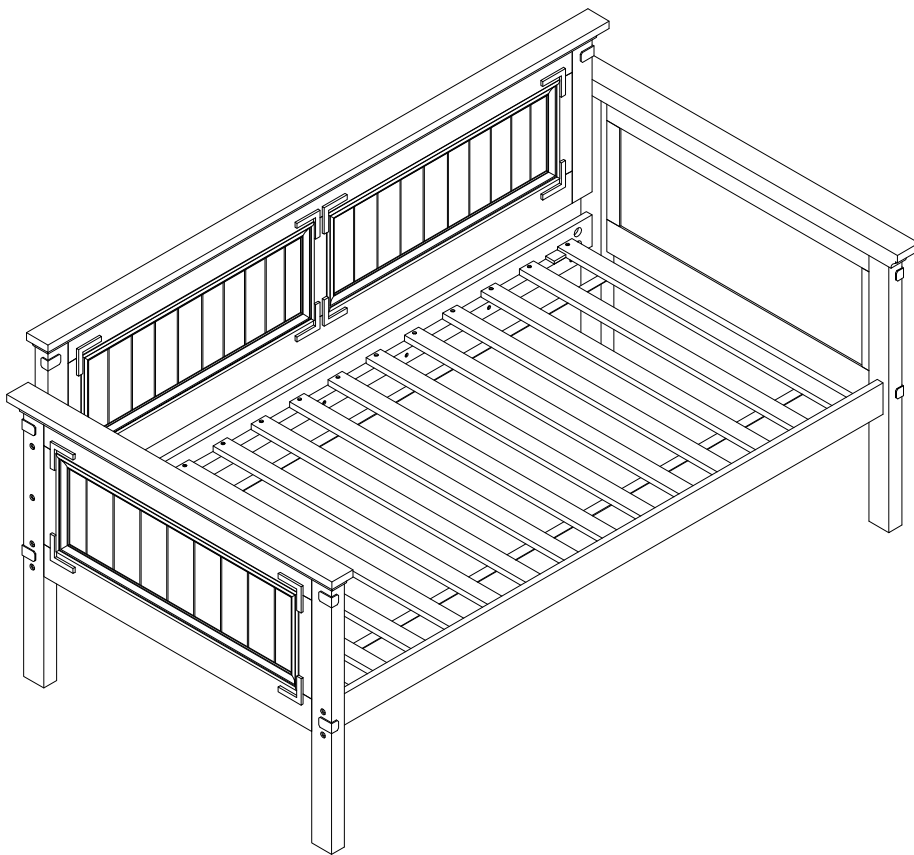


*ASSEMBLY INSTRUCTIONS*  
*COASTER FINE FURNITURE*



*Fine Furniture for every stage of life*

**300675 (B1&B2)**  
**Twin Daybed**

REVISION 0 : 09/06/2017  
REVISION 1 : 11/08/2019

# ITEM: 300675 (B1&B2)

## ASSEMBLY INSTRUCTIONS

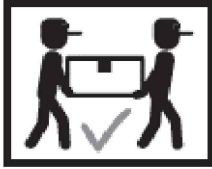
### ASSEMBLY TIPS:

1. Remove hardware from box and sort by size.
2. Please check to see that all hardware and parts are present prior to start of assembly.
3. Please follow attached instructions in the same sequence as numbered to assure fast & easy assembly.



### WARNING!

1. Don't attempt to repair or modify parts that are broken or defective. Please contact the store immediately.
2. This product is for home use only and not intended for commercial establishments.

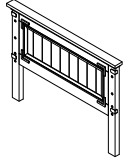
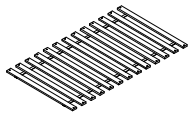
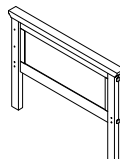


**ASSEMBLY TIME**

**30 MINUTES**

## PARTS IDENTIFICATION

### B1 ( BOX 1)







A	LEFT SIDE FRAME		1PC	C	ROLL SLAT (13PCS)		1 SET
B	RIGHT SIDE FRAME		1PC				

### B2 ( BOX 2)

D	BED RAIL		2PCS	E	BACK PANEL		1PC
---	----------	---	------	---	------------	---	-----

## HARDWARE IDENTIFICATION

### Z-B2 (BOX2) - HARDWARE PACK IS LOCATED IN 300675 (B2)

1	LONG BOLT (1/4 x 90mm Φ 15 - BLK)		8PCS	4	FLAT HEAD SCREW (4 x 35mm - BLK)		8PCS
2	HALF ROUND NUT (1/4 x 22mm - BLK)		8PCS	5	WOOD DOWEL (8 x 30mm)		8PCS
3	SHORT BOLT (1/4 x 70mm Φ 15 - BLK)		4PCS	6	ALLEN WRENCH (4MM - BLK)		8PCS

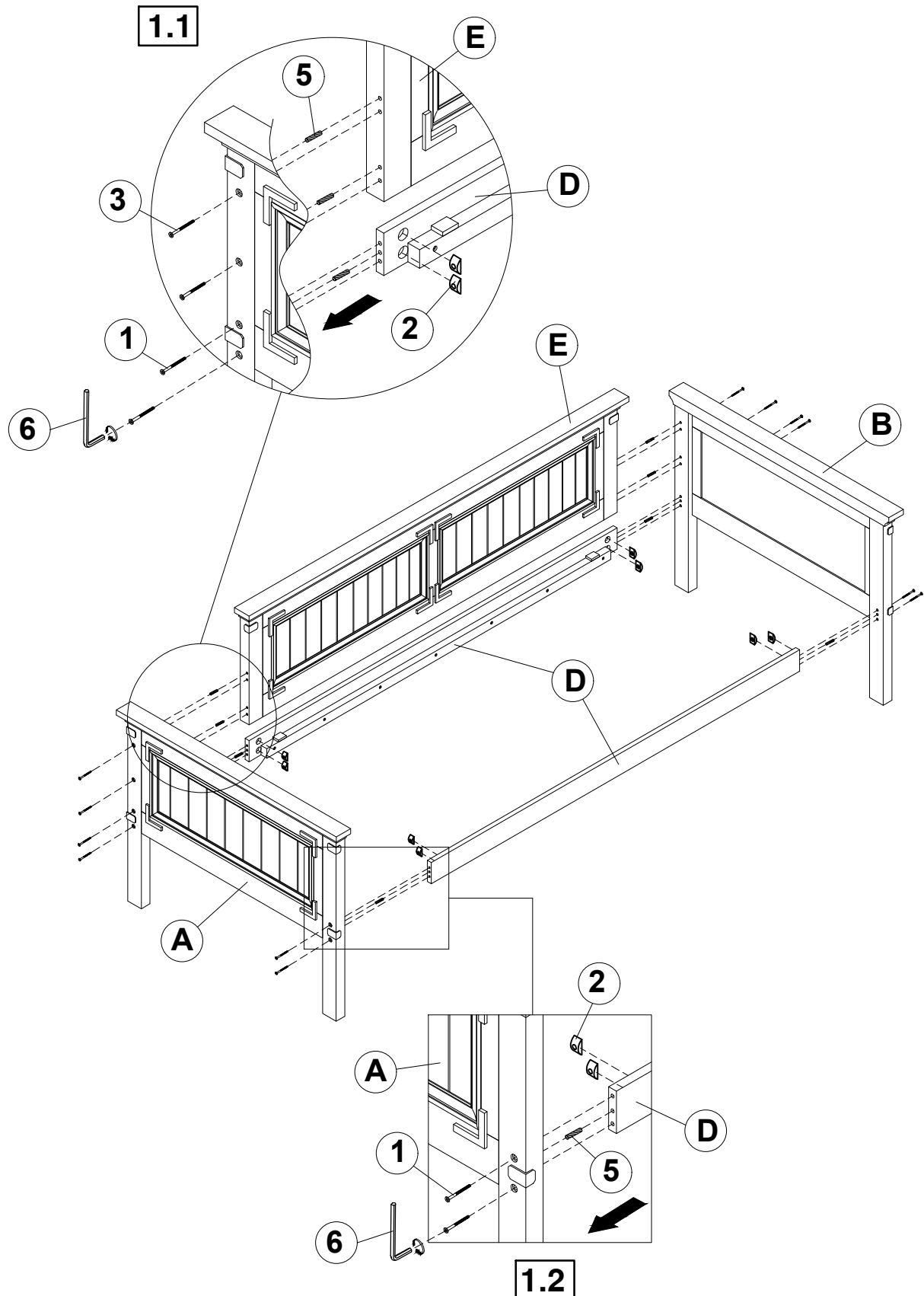
### NOTE:

Phillips head screw driver is required in the assembly process; however, manufacturer does not provide this item.

# ITEM: 300675 (B1&B2)

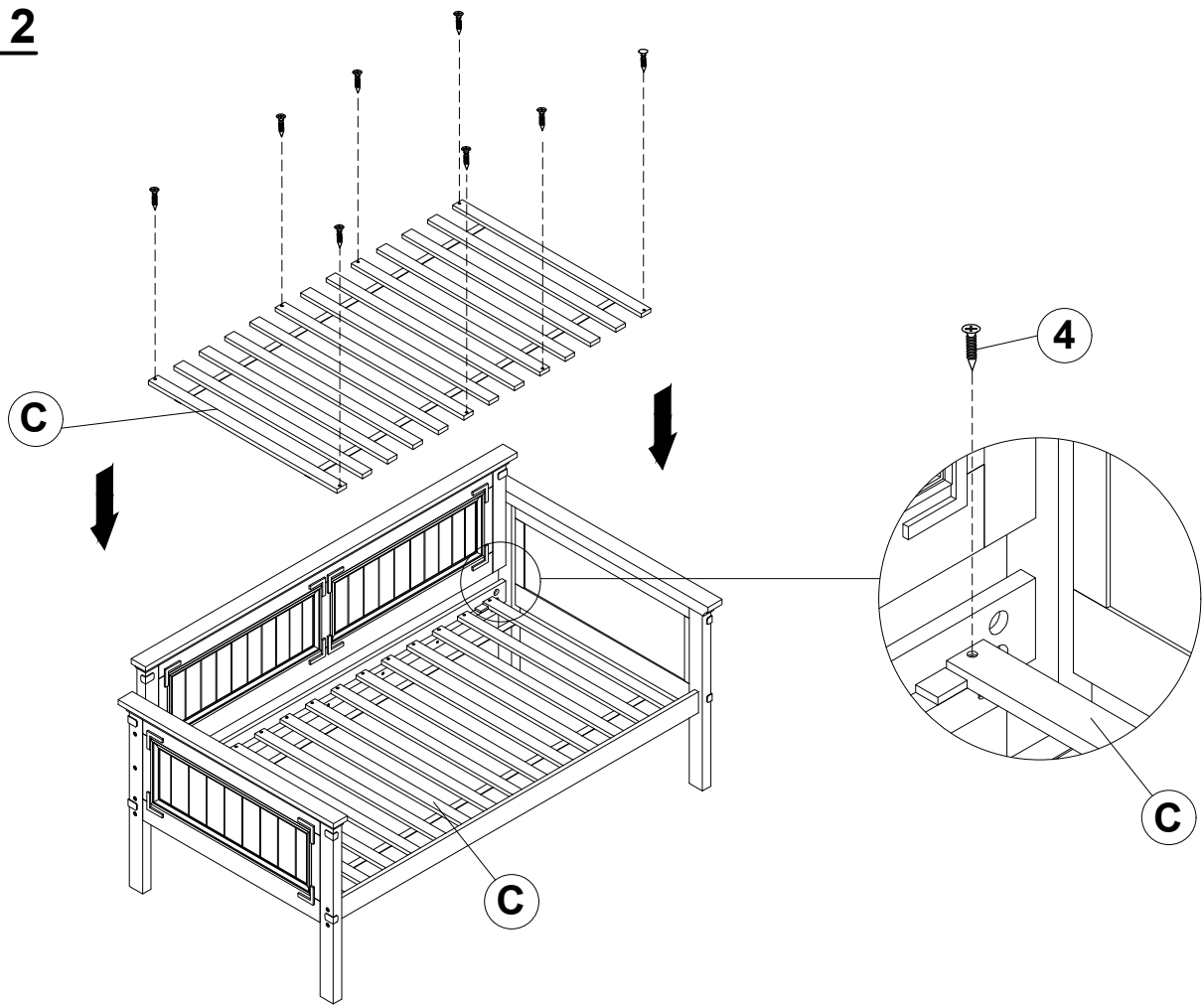
## ASSEMBLY INSTRUCTIONS

### STEP 1

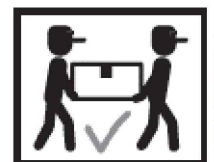
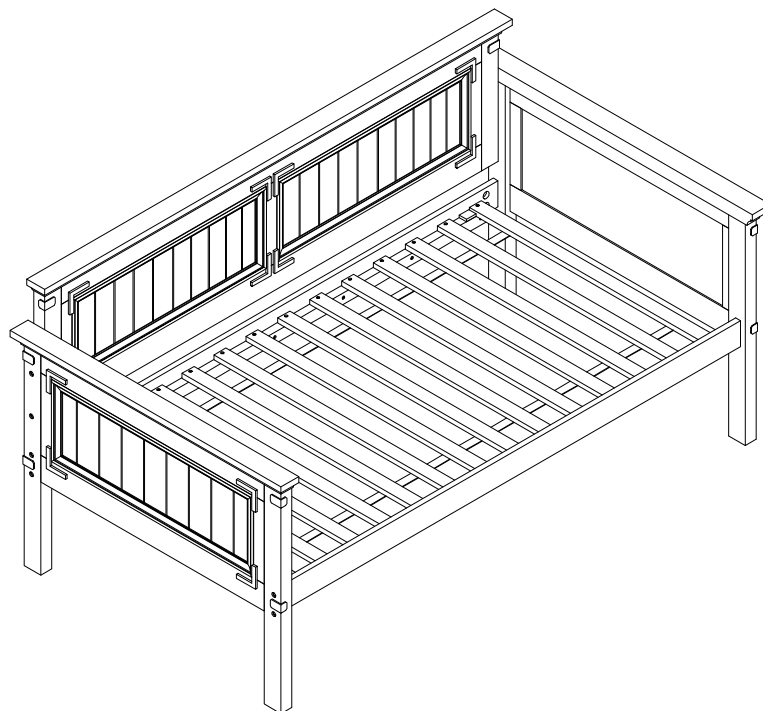


ITEM: **300675 (B1&B2)**  
**ASSEMBLY INSTRUCTIONS**

**STEP 2**

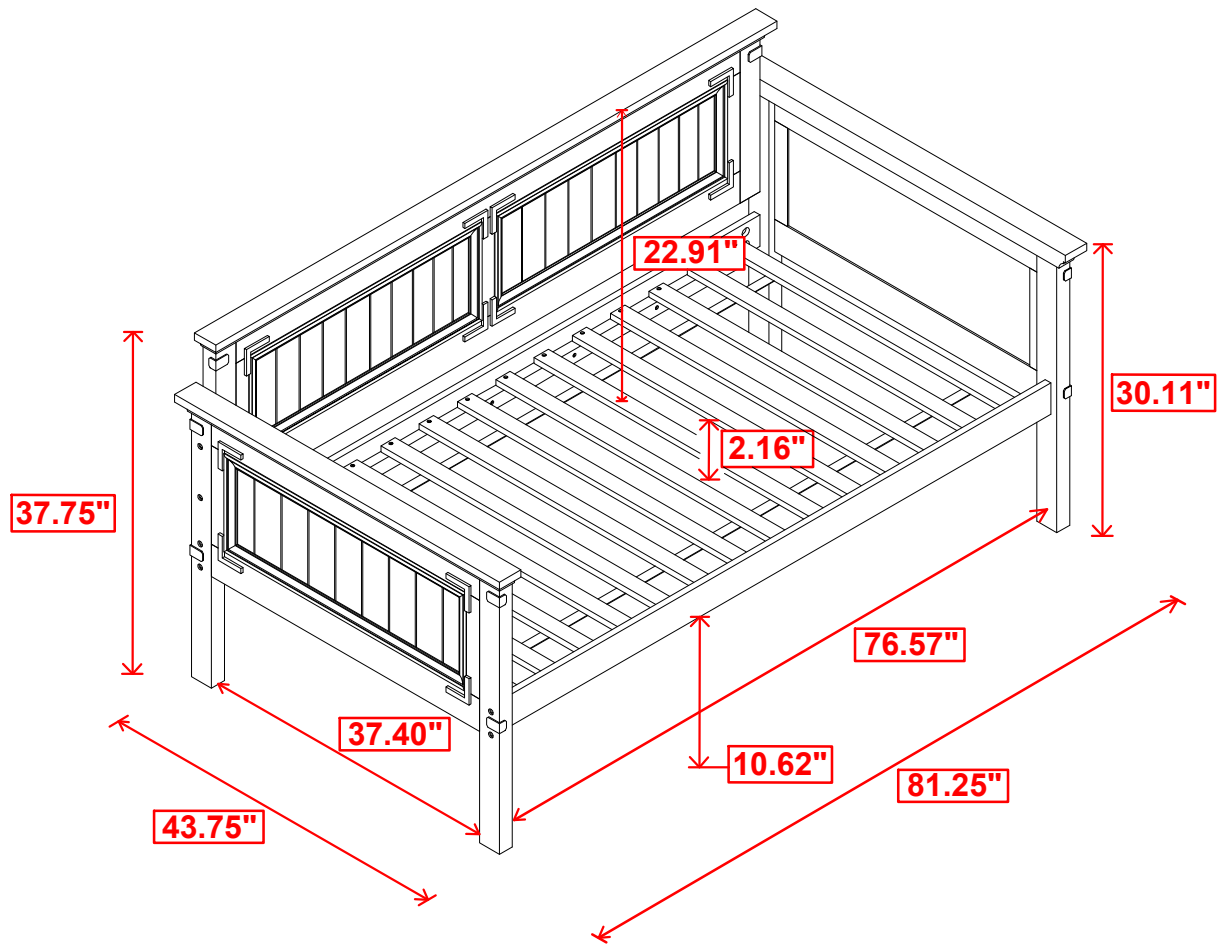


**STEP 3**  
**COMPLETE**



ITEM: 300675 (B1&B2)

INNER SIZE: 76.5" X 39.25"



**Note:** Dimension tolerance  $\pm 5\%$