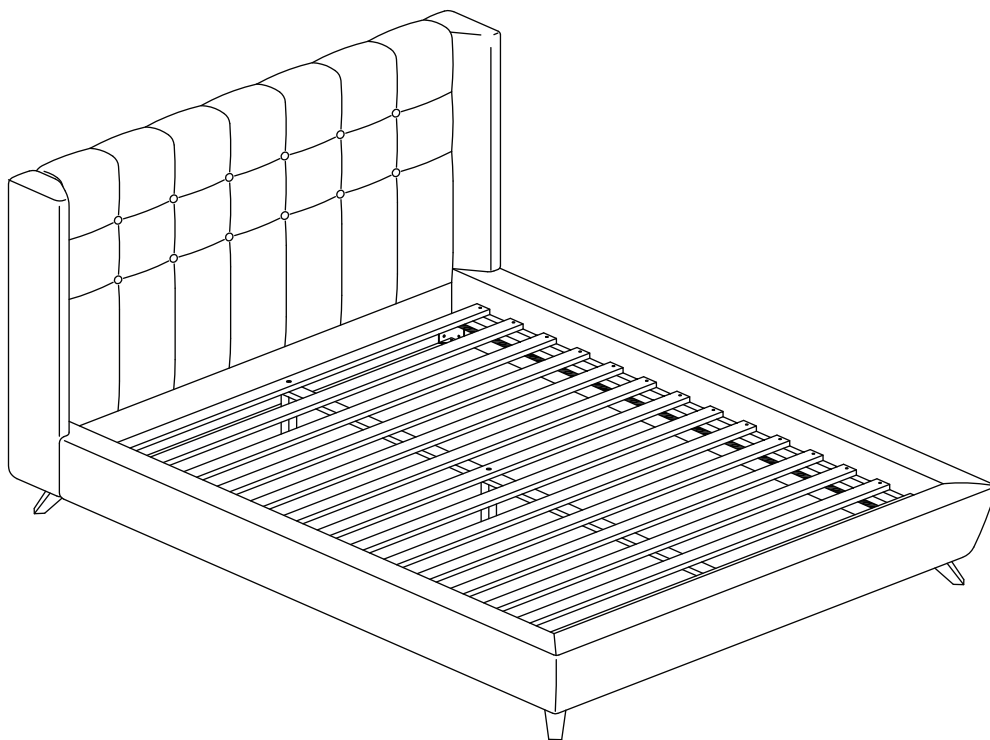


**ASSEMBLY INSTRUCTIONS**  
**COASTER FINE FURNITURE**



*Fine Furniture for every stage of life*

**301061Q (B1&B2)**  
**Queen Bed**

# ITEM: 301061Q (B1&B2)



## ASSEMBLY INSTRUCTIONS

### ASSEMBLY TIPS:

1. Remove hardware from box and sort by size.
2. Please check to see that all hardware and parts are present prior to start of assembly.
3. Please follow attached instructions in the same sequence as numbered to assure fast & easy assembly.



### WARNING!

1. Don't attempt to repair or modify parts that are broken or defective. Please contact the store immediately.
2. This product is for home use only and not intended for commercial establishments.



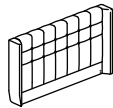
ASSEMBLY TIME

30 MINUTES

## PARTS IDENTIFICATION

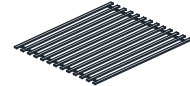
### B1 (BOX 1)

A HEADBOARD



1PC

B ROLL SLAT  
(13pcs)



1SET

### B2 (BOX 2)

C FOOTBOARD



1PC

G RIGHT BED RAIL  
(WITH "G" LABEL)



1PC

D BRACKET



4PCS

H CENTER RAIL



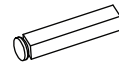
1PC

E LEG



4PCS

I CENTER RAIL  
SUPPORT  
WITH LEVELER



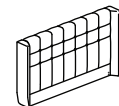
3PCS

F LEFT BED RAIL  
(WITH "F" LABEL)



1PC

A 301061Q (B1)  
FROM BOX 1  
HEADBOARD



1SET

### NOTE:

Phillips head screw driver is required in the assembly process; however, manufacturer does not provided this item.

# ITEM: 301061Q (B1&B2)



## ASSEMBLY INSTRUCTIONS

### ASSEMBLY TIPS:

1. Remove hardware from box and sort by size.
2. Please check to see that all hardware and parts are present prior to start of assembly.
3. Please follow attached instructions in the same sequence as numbered to assure fast & easy assembly.


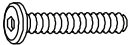
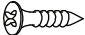




### WARNING!

1. Don't attempt to repair or modify parts that are broken or defective. Please contact the store immediately.
2. This product is for home use only and not intended for commercial establishments.

## HARDWARE IDENTIFICATION

### Z-B2 (BOX 2) - HARDWARE PACK IS LOCATED IN 301061Q (B2)

1	<b>SHORT BOLT</b> (M8 x 30MM - RBW)		20PCS
2	<b>LONG BOLT</b> (M6 x 50MM - RBW)		3PCS
3	<b>FLAT HEAD SCREW</b> (M4 x 32MM - RBW)		26PCS
4	<b>SMALL ALLEN WRENCH</b> (M4 x 100MM - BLK)		1PC
5	<b>BIG ALLEN WRENCH</b> (M5 x 65MM - BLK)		1PC

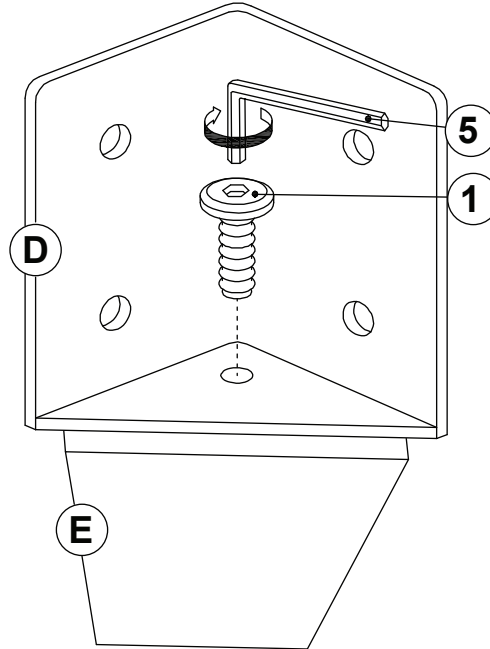
### NOTE:

Phillips head screw driver is required in the assembly process; however, manufacturer does not provided this item.

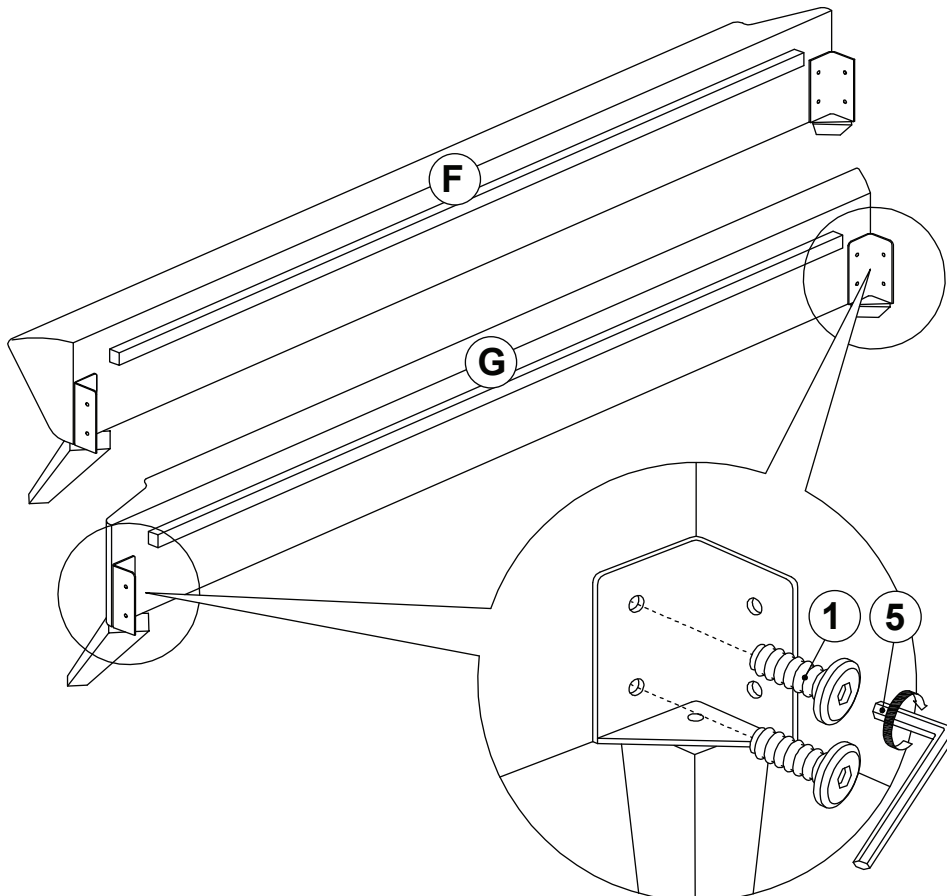
ITEM: **301061Q (B1&B2)**

**ASSEMBLY INSTRUCTIONS**

**STEP 1**



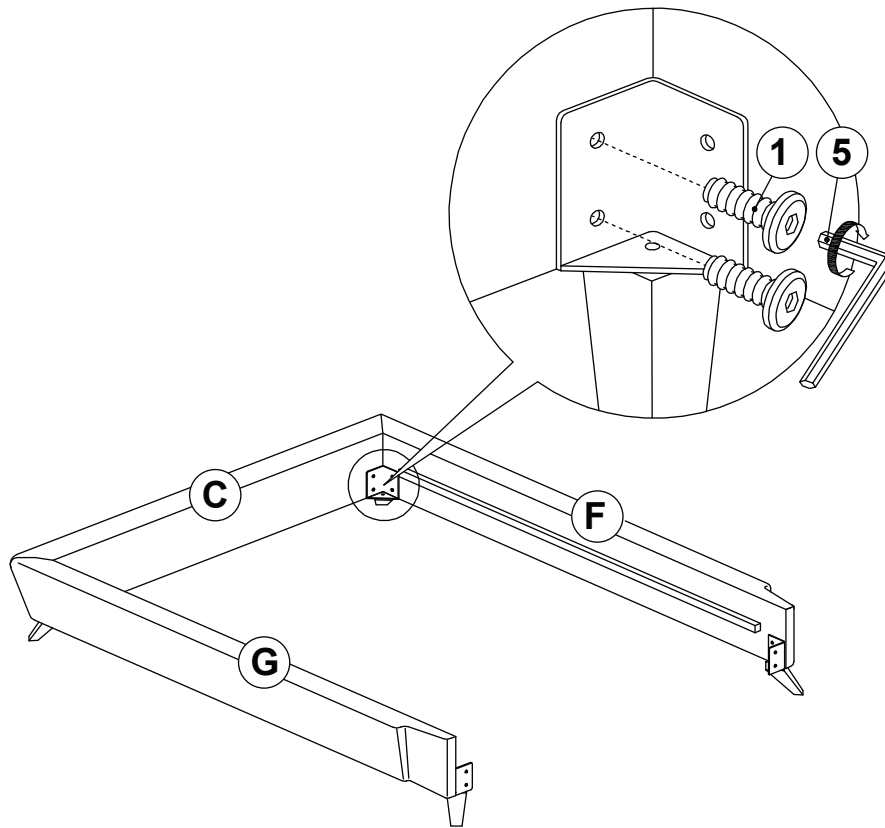
**STEP 2**



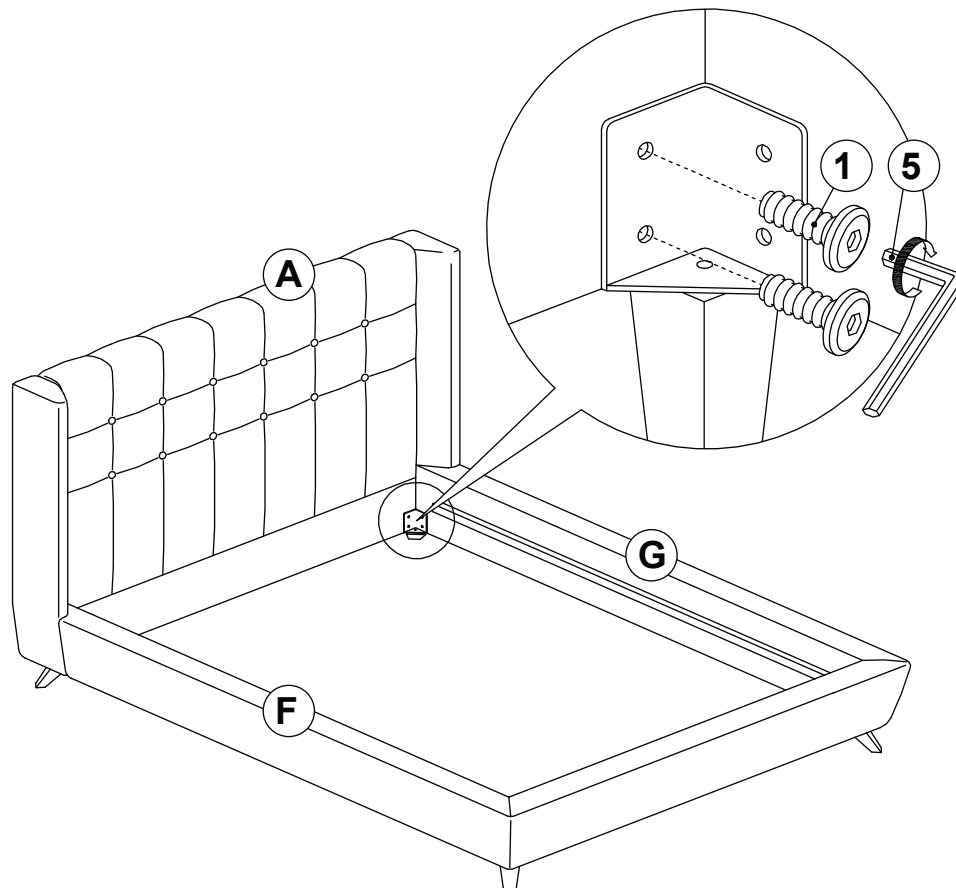
# ITEM: 301061Q (B1&B2)

## ASSEMBLY INSTRUCTIONS

### STEP 3



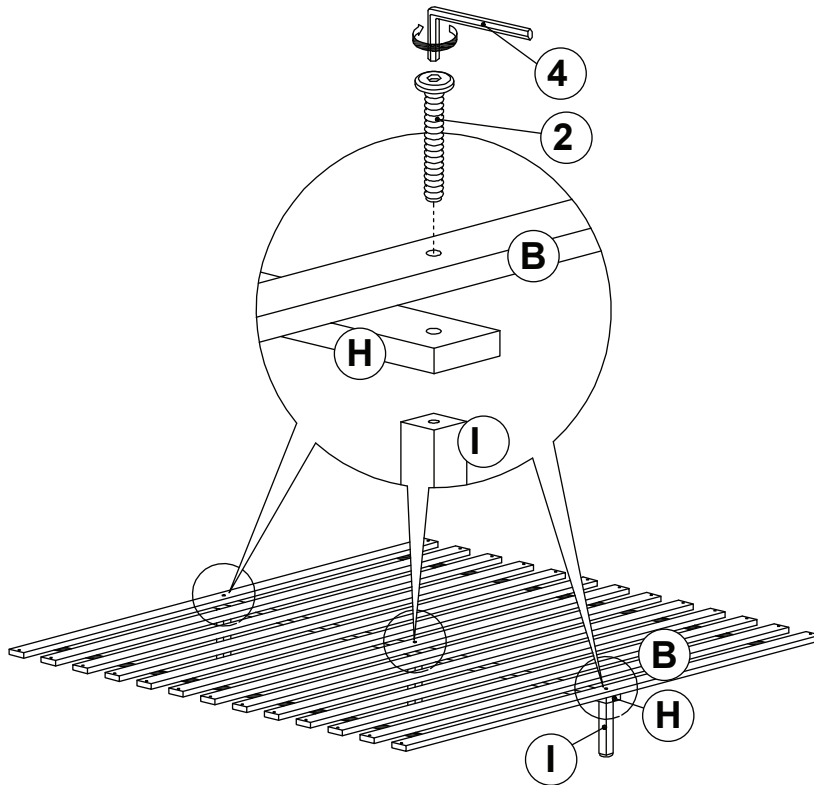
### STEP 4



# ITEM: 301061Q (B1&B2)

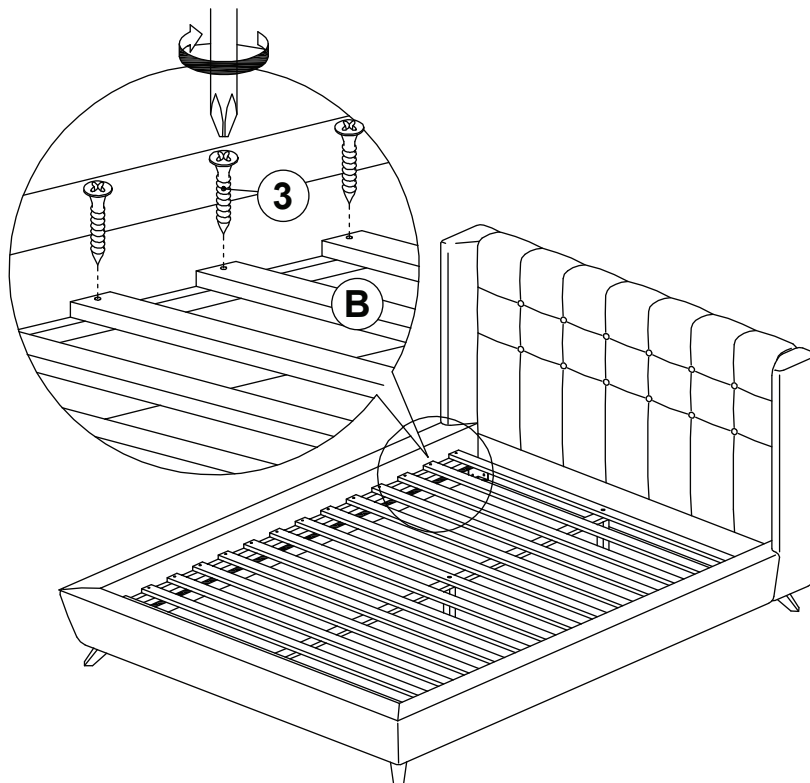
## ASSEMBLY INSTRUCTIONS

### STEP 5

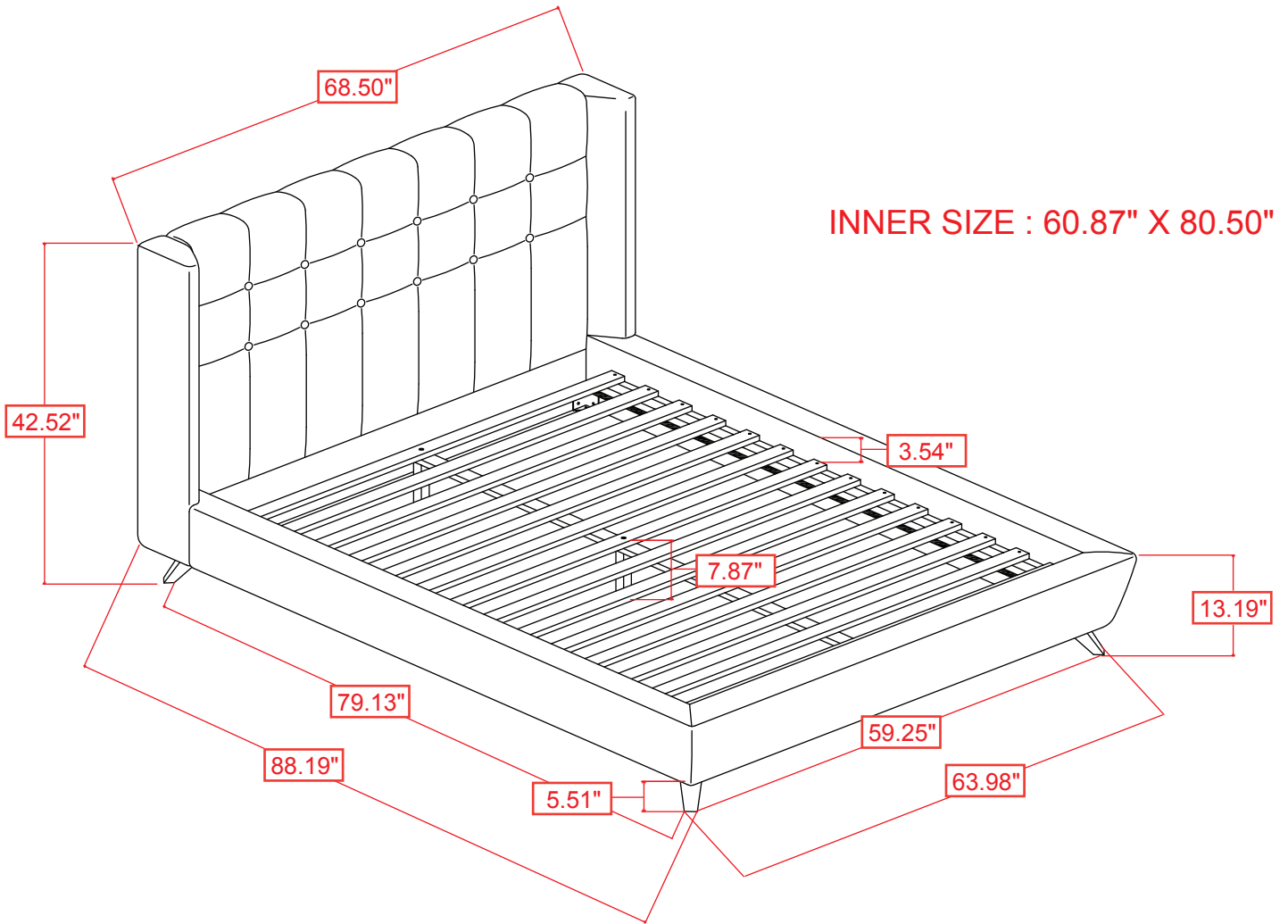


### STEP 6

### COMPLETE



# ITEM: 301061Q (B1&B2)



Note : Dimension tolerance  $\pm 5\%$