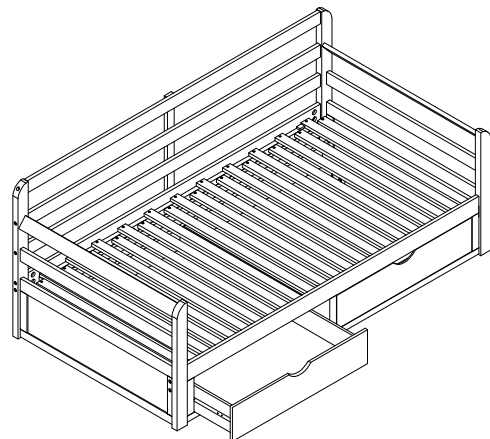
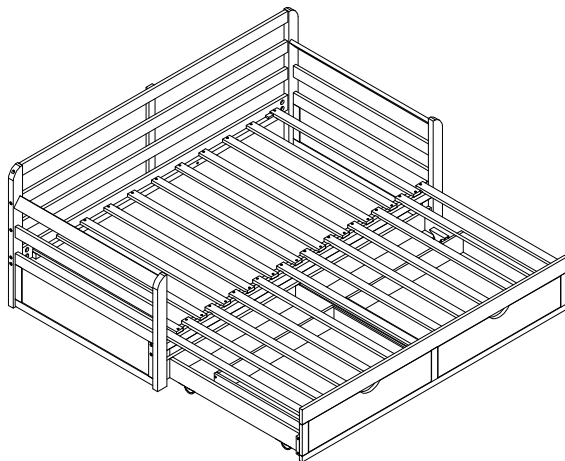


ASSEMBLY INSTRUCTIONS
COASTER FINE FURNITURE



Fine Furniture for every stage of life

305706 (B1&B2)
Day Bed

ITEM: 305706 (B1&B2)



ASSEMBLY INSTRUCTIONS

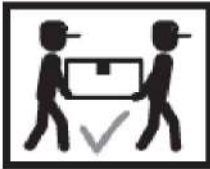
ASSEMBLY TIPS:

1. Remove hardware from box and sort by size.
2. Please check to see that all hardware and parts are present prior to start of assembly.
3. Please follow attached instructions in the same sequence as numbered to assure fast & easy assembly.



WARNING!

1. Don't attempt to repair or modify parts that are broken or defective. Please contact the store immediately.
2. This product is for home use only and not intended for commercial establishments.

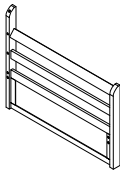
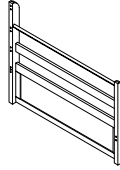




ASSEMBLY TIME








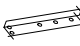
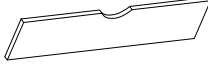
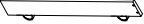






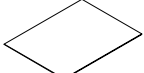
30 MINUTES

PARTS IDENTIFICATION

B1 (BOX 1)

A	LEFT SIDE FRAME		1PC	C	RIGHT SIDE FRAME		1PC
B	GREY BED SLAT		2PCS	D	BED SLAT		21PCS

B2 (BOX 2)

E	BACK RAIL		1PC	N	TRUNDLE FRONT PANEL		1PC
F	FRONT RAIL		1PC	O	TRUNDLE LOWER BACK PANEL		1PC
G	GUARDRAIL		3PCS	P	TRUNDLE UPPER BACK PANEL		1PC
H	GUARDRAIL SUPPORT		1PC	Q	TRUNDLE BACK RAIL SUPPORT		2PCS
I	DRAWER FRONT PANEL		2PCS	R	TRUNDLE LEFT SIDE PANEL WITH CASTER		1PC
J	DRAWER BACK PANEL		2PCS	S	TRUNDLE RIGHT SIDE PANEL WITH CASTER		1PC
K	DRAWER LEFT PANEL		2PCS	T	TRUNDLE MIDDLE PANEL (WITH "T" LABEL)		1PC
L	DRAWER RIGHT PANEL		2PCS	U	TRUNDLE MIDDLE PANEL (WITH "U" LABEL)		1PC
M	DRAWER BOTTOM PANEL		2PCS				

NOTE:

Phillips head screw driver is required in the assembly process; however, manufacturer does not provide this item.

ITEM: 305706 (B1&B2)

ASSEMBLY INSTRUCTIONS



ASSEMBLY TIPS:

1. Remove hardware from box and sort by size.
2. Please check to see that all hardware and parts are present prior to start of assembly.
3. Please follow attached instructions in the same sequence as numbered to assure fast & easy assembly.



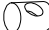



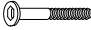




WARNING!

1. Don't attempt to repair or modify parts that are broken or defective. Please contact the store immediately.
2. This product is for home use only and not intended for commercial establishments.

HARDWARE IDENTIFICATION

Z-B2 (BOX2) - HARDWARE PACK IS LOCATED IN 305706 (B2)

1	BOLT 4 (1/4 x 110mm Φ 14 - BLK)		10PCS	6	BOLT 3 (1/4 x 80mm Φ 14 - BLK)		4PCS
2	BARREL NUT (1/4 x 12mm - BLK)		18PCS	7	SHORT WOOD DOWEL (10 x 40mm)		18PCS
3	BOLT 2 (1/4 x 60mm Φ 14 - BLK)		4PCS	8	LONG WOOD DOWEL (10 x 50mm)		2PCS
4	BOLT 1 (1/4 x 30mm Φ 14 - BLK)		14PCS	9	ALLEN WRENCH (4 x 58MM - BLK)		1PC
5	FLAT HEAD SCREW (4 x 35mm - BLK)		64PCS				

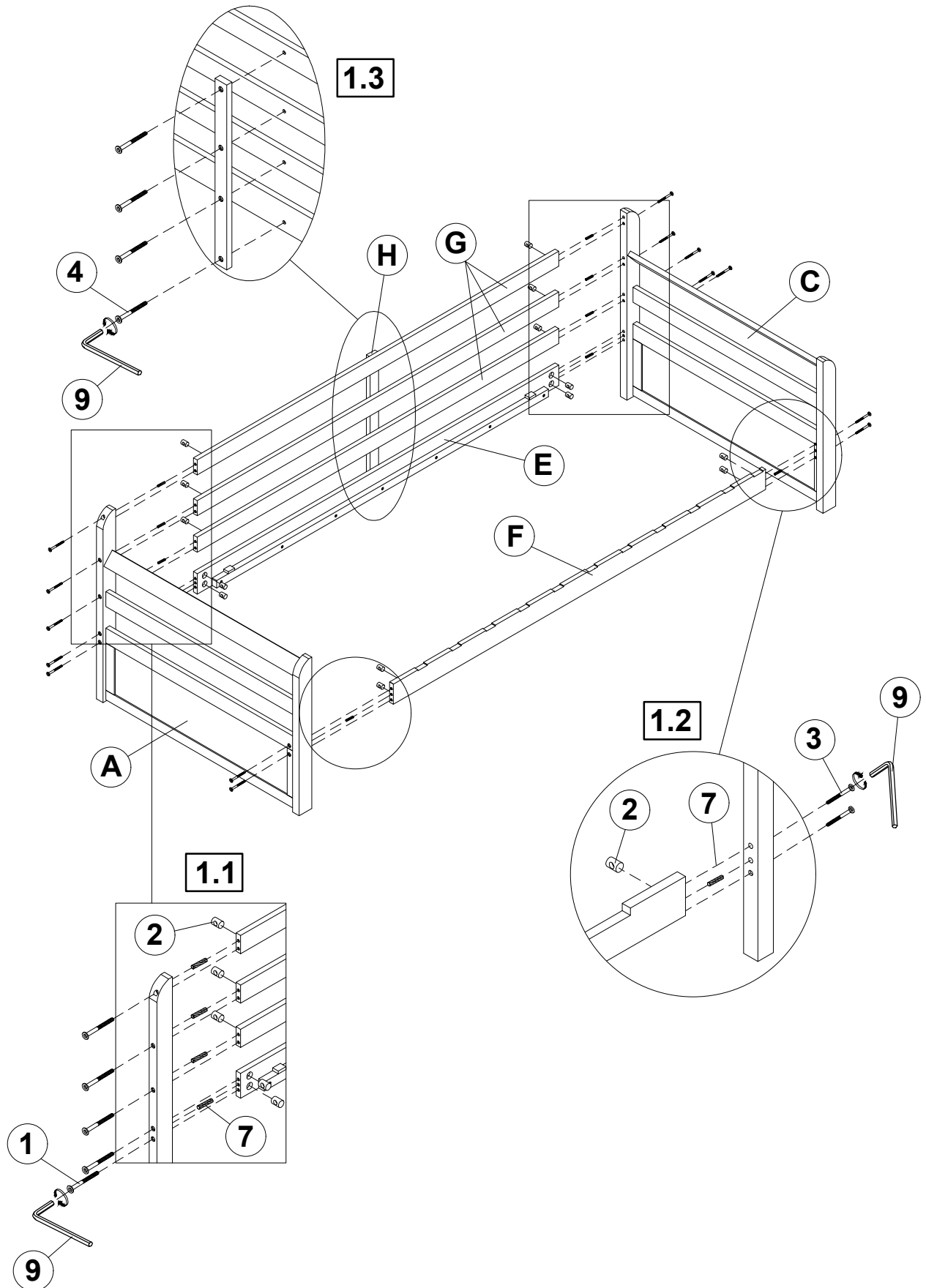
NOTE:

Phillips head screw driver is required in the assembly process; however, manufacturer does not provide this item.

ITEM: 305706 (B1&B2)

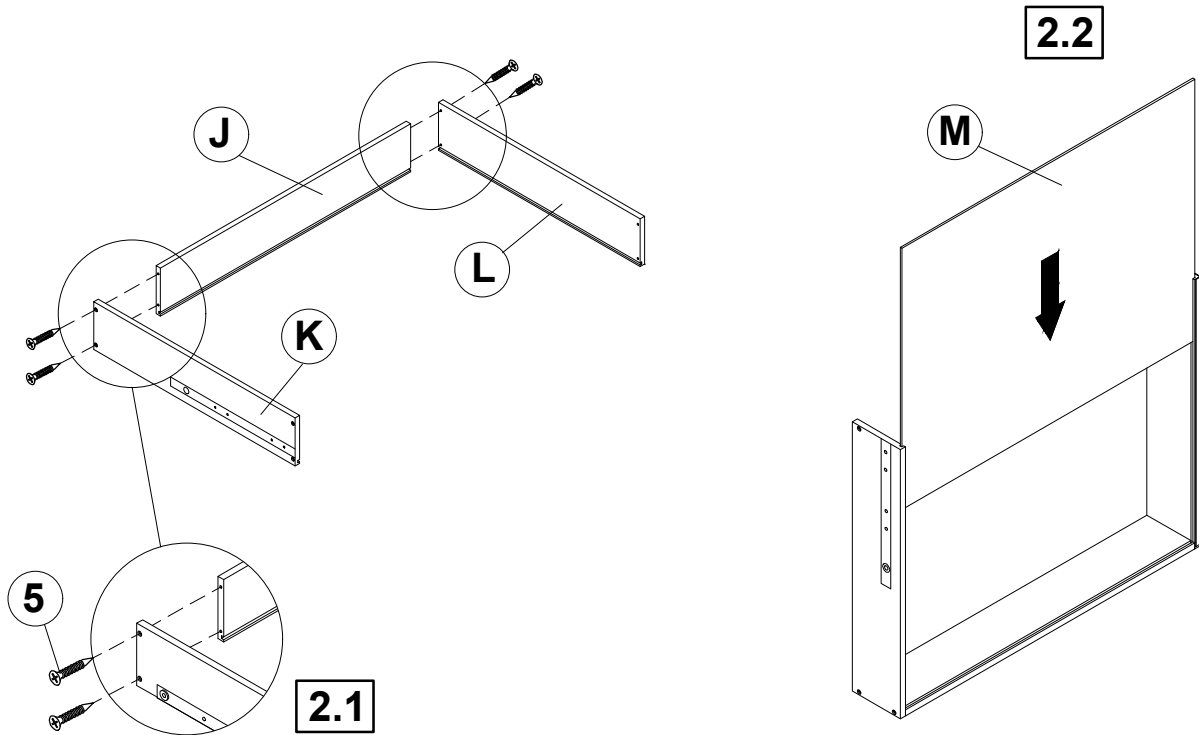
ASSEMBLY INSTRUCTIONS

STEP 1

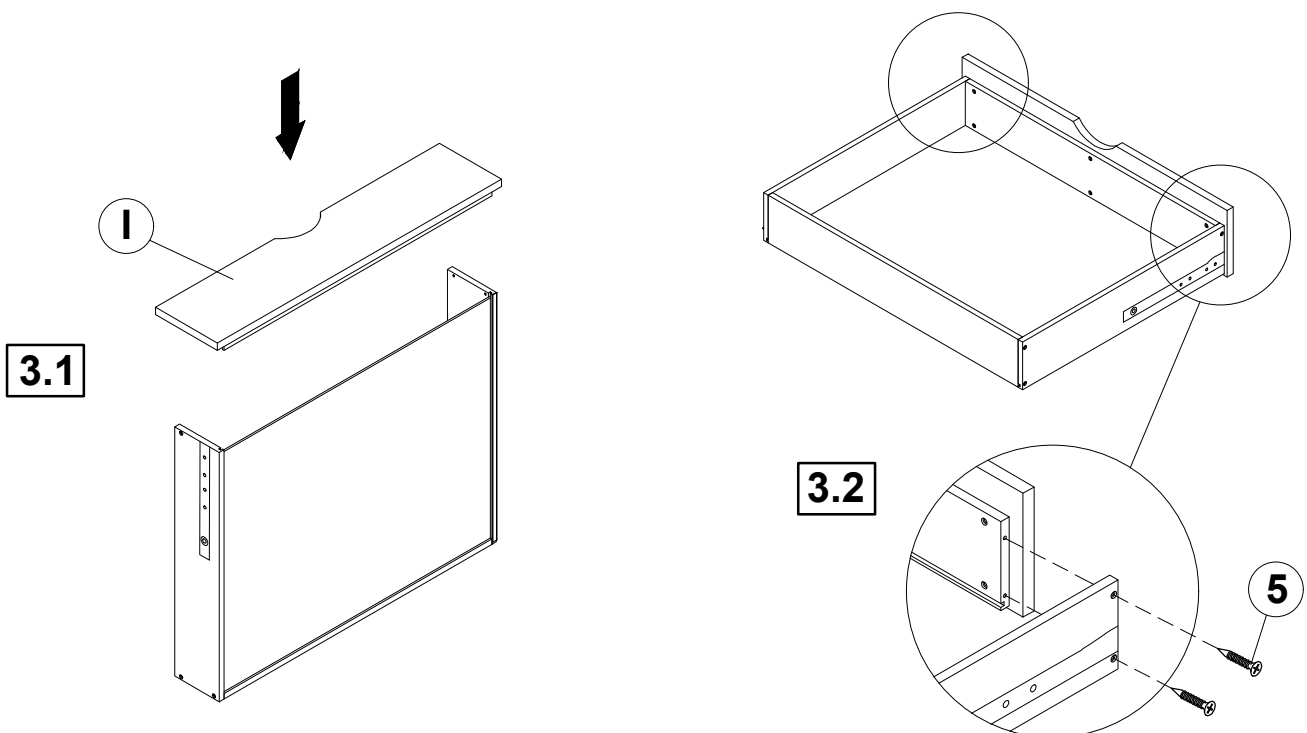


ITEM: **305706 (B1&B2)**
ASSEMBLY INSTRUCTIONS

STEP 2



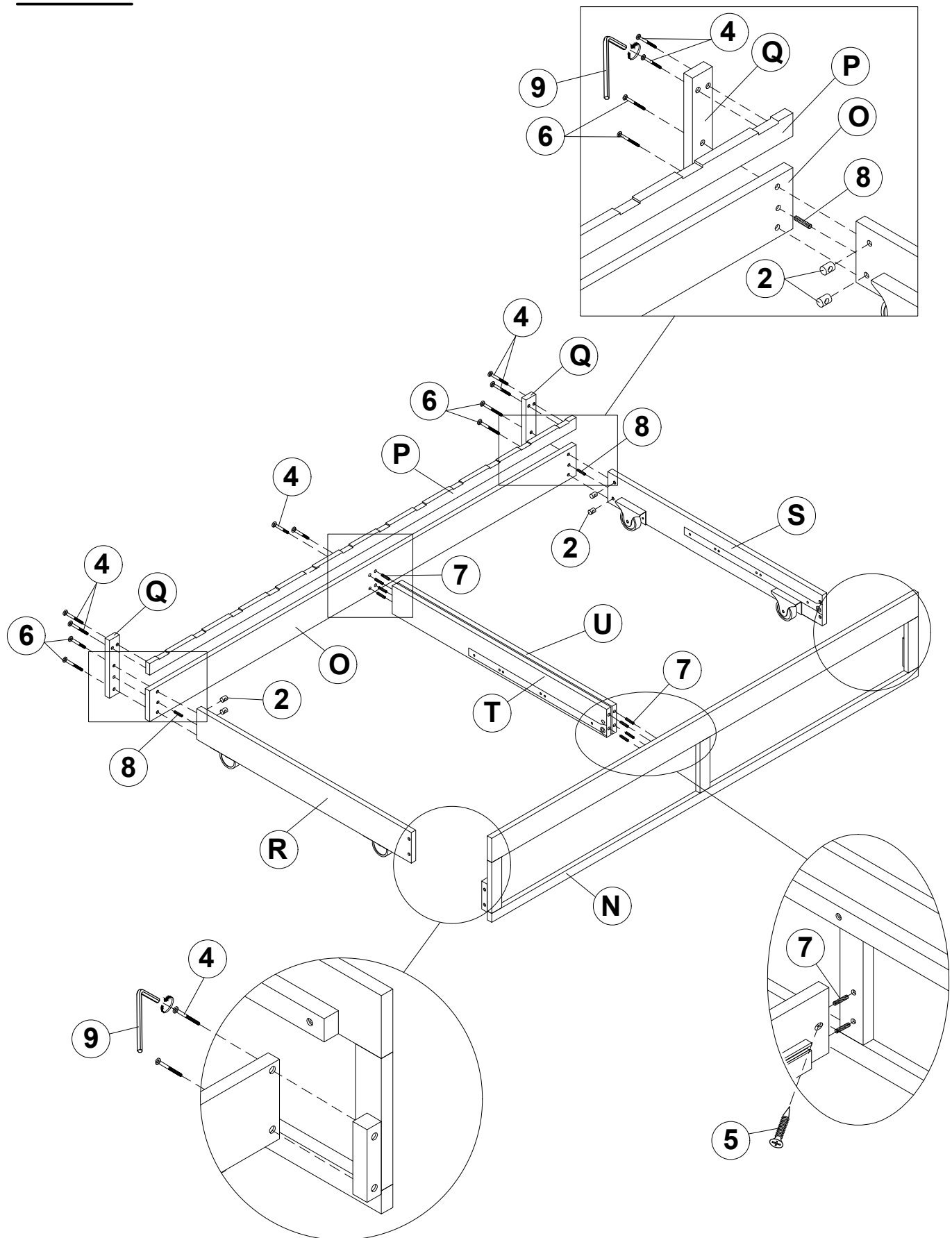
STEP 3



ITEM: 305706 (B1-B2)

ASSEMBLY INSTRUCTIONS

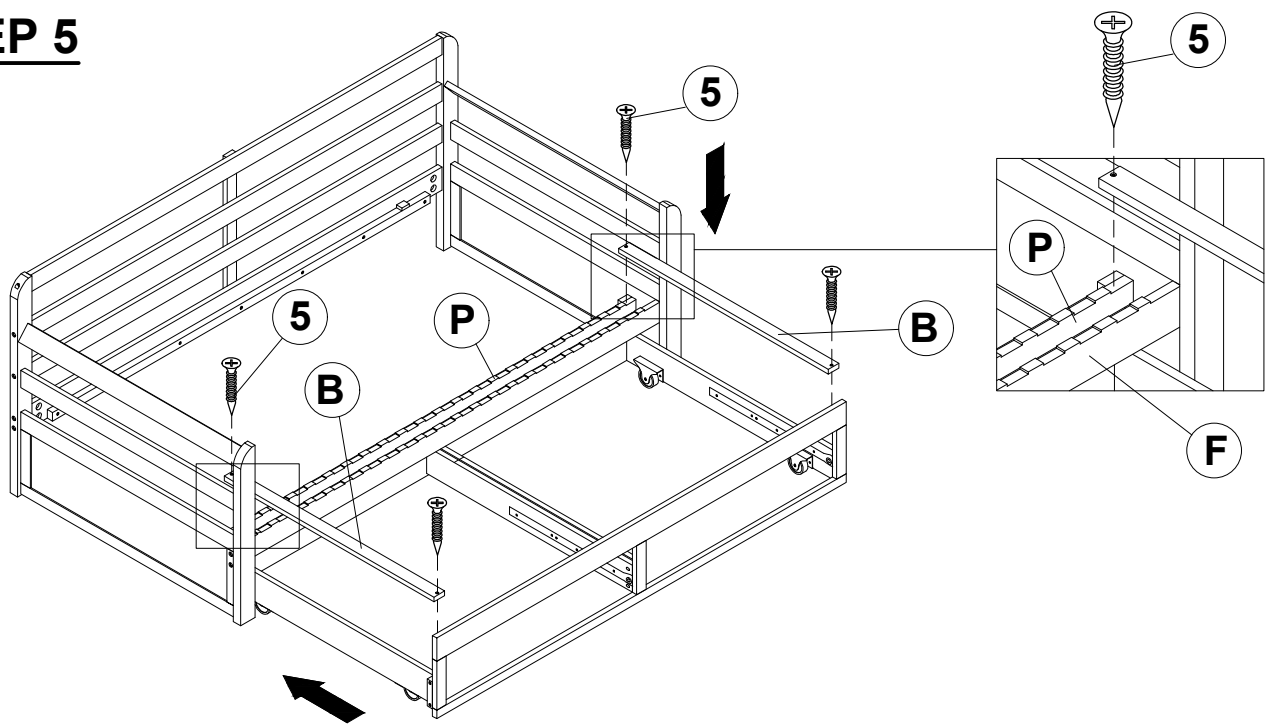
STEP 4



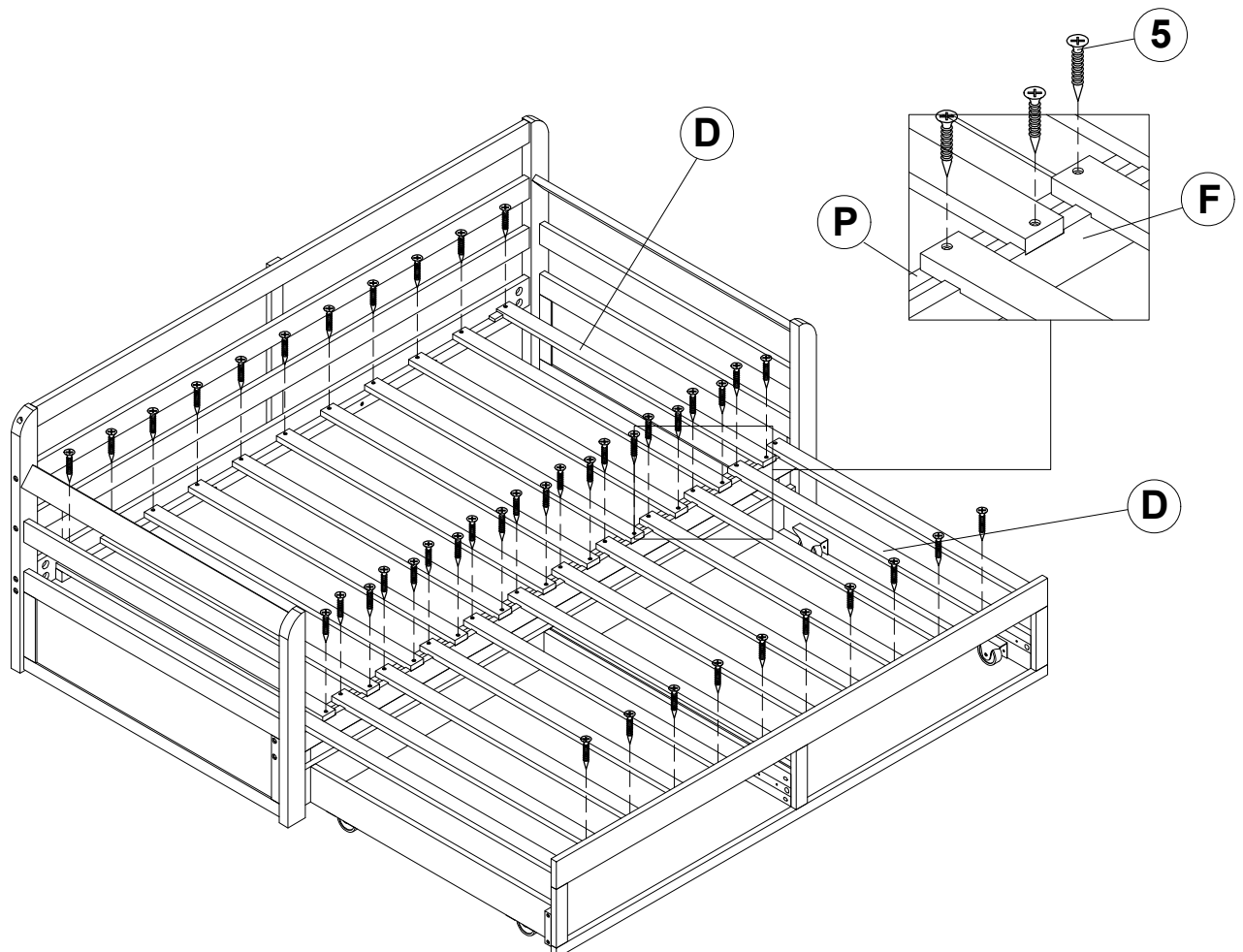
ITEM: 305706 (B1&B2)

ASSEMBLY INSTRUCTIONS

STEP 5

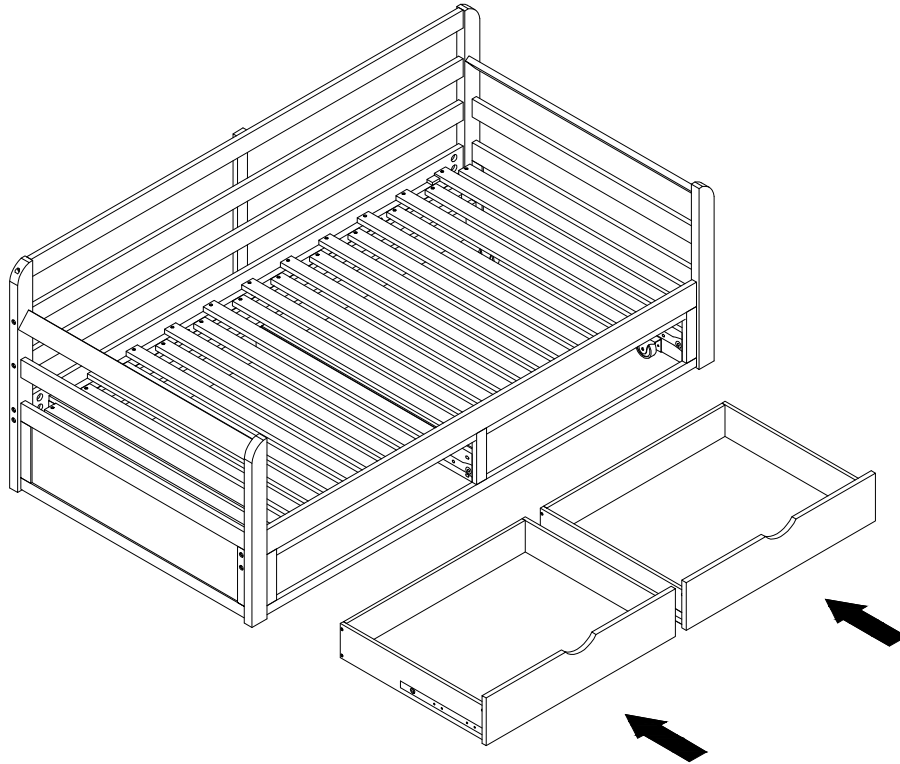


STEP 6

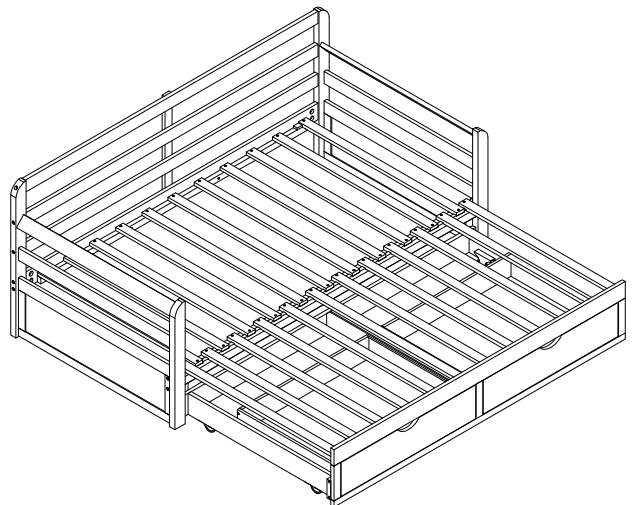
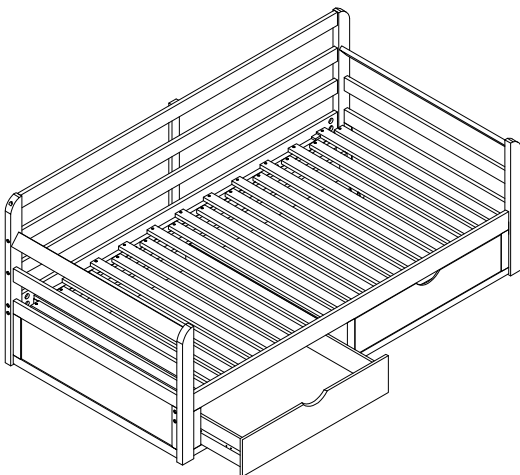


ITEM: **305706 (B1&B2)**
ASSEMBLY INSTRUCTIONS

STEP 7



STEP 8
COMPLETE

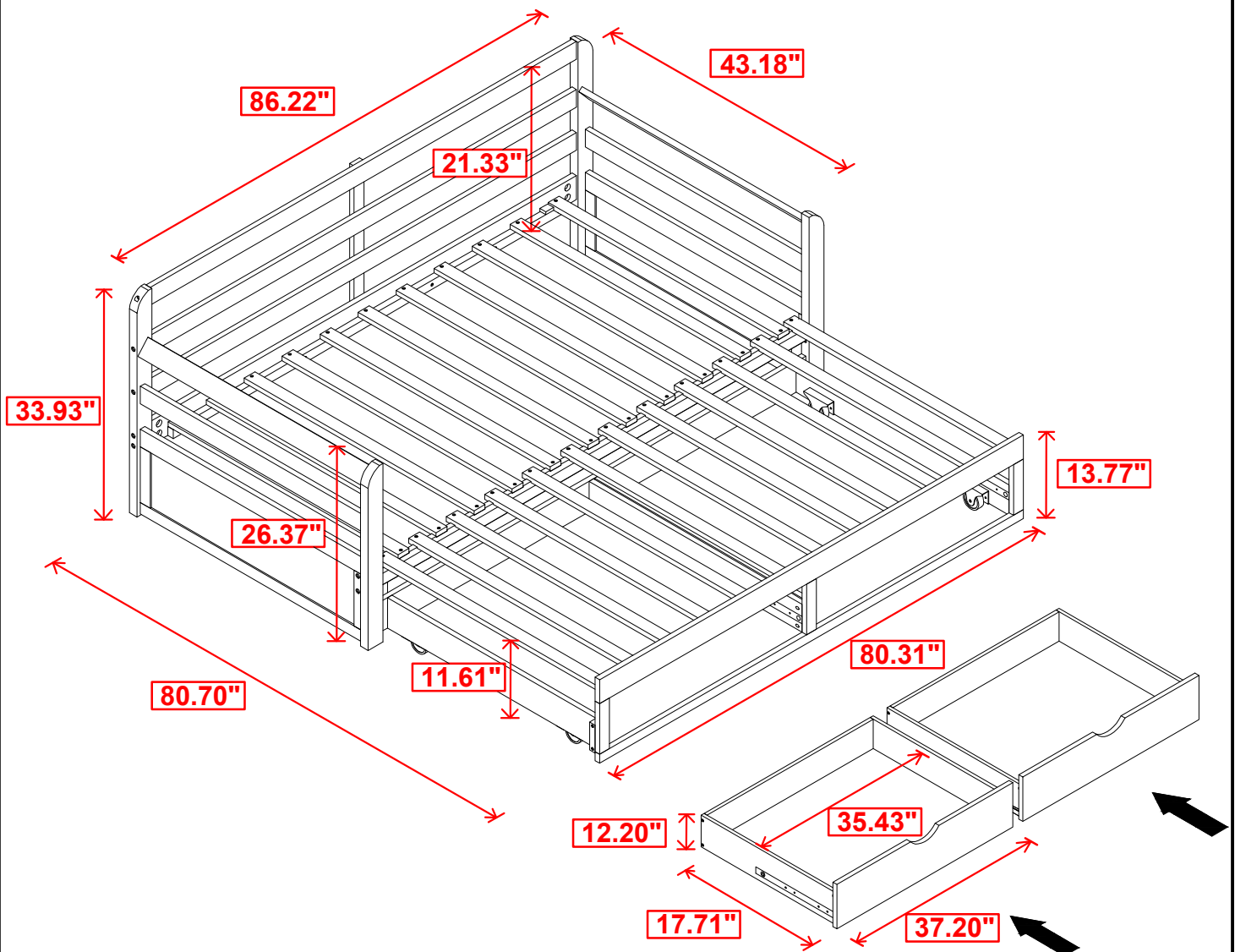


ITEM: 305706 (B1&B2)

INNER SIZE OF TWINXL DAYBED : 80.70" X 41.33"

INNER SIZE OF KING DAYBED : 80.70" X 78.93"

INNER SIZE OF DRAWER : 35.43" X 15.74"



Note: Dimension tolerance $\pm 5\%$