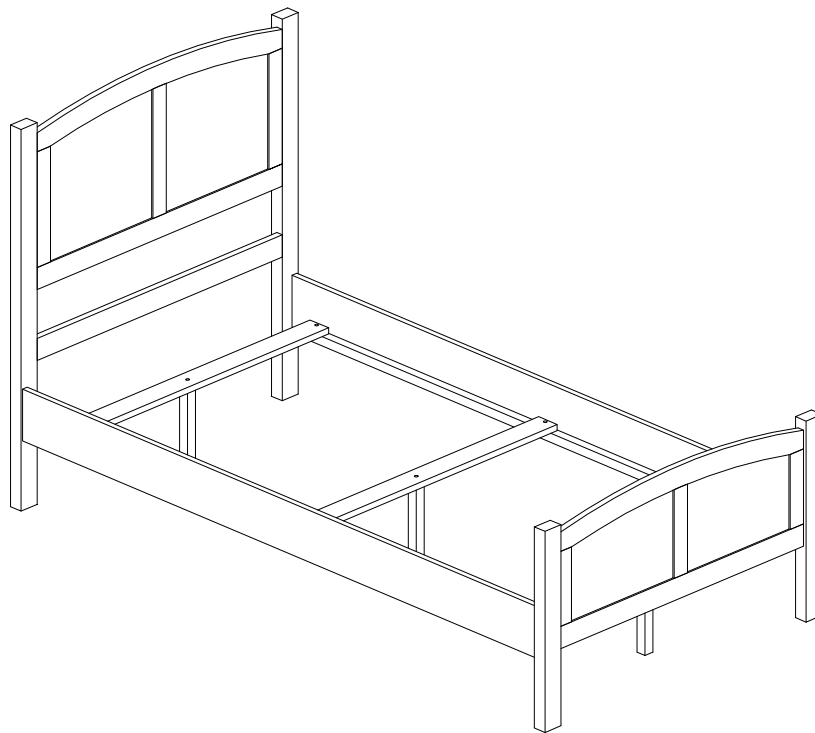


ASSEMBLY INSTRUCTIONS
COASTER FINE FURNITURE



Fine Furniture for every stage of life

400291T (B1-B3)
Twin Bed

REVISION 0 : 06/10/2010
REVISION 1 : 11/02/2012
REVISION 2 : 12/13/2019

ITEM: 400291T (B1- B3)



ASSEMBLY INSTRUCTIONS

ASSEMBLY TIPS:

1. Remove hardware from box and sort by size.
2. Please check to see that all hardware and parts are present prior to start of assembly.
3. Please follow attached instructions in the same sequence as numbered to assure fast & easy assembly.



WARNING!

1. Don't attempt to repair or modify parts that are broken or defective. Please contact the store immediately.
2. This product is for home use only and not intended for commercial establishments.



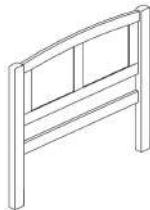
ASSEMBLY TIME

15 MINUTES

PARTS IDENTIFICATION

B1 (BOX 1)

A HEADBOARD



1PC

B FOOTBOARD



1PC

B2 (BOX 2)

C BED RAIL



2PCS

B3 (BOX 3)

D BED SLAT



3PCS

E BED SLAT SUPPORT
WITH LEVELER



3PCS

HARDWARE IDENTIFICATION

Z-B3 (BOX 3) - HARDWARE PACK IS LOCATED IN 400291T(B3)

1 FLAT HEAD SCREW
(M4 x 30mm - BLK)



6PCS

NOTE:

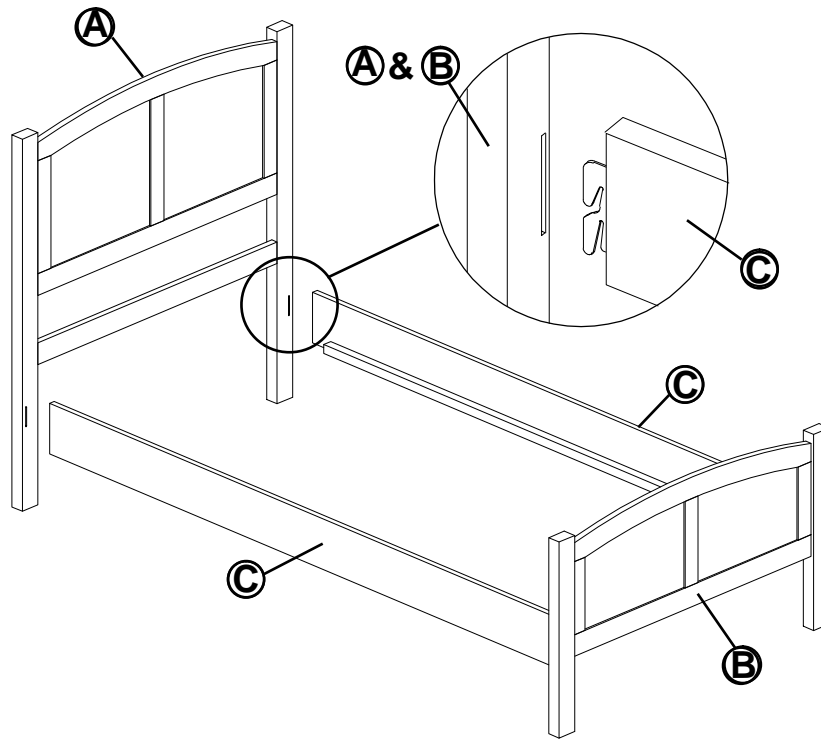
Phillips head screw driver is required in the assembly process; however, manufacturer does not provide this item.

ITEM: 400291T (B1-B3)

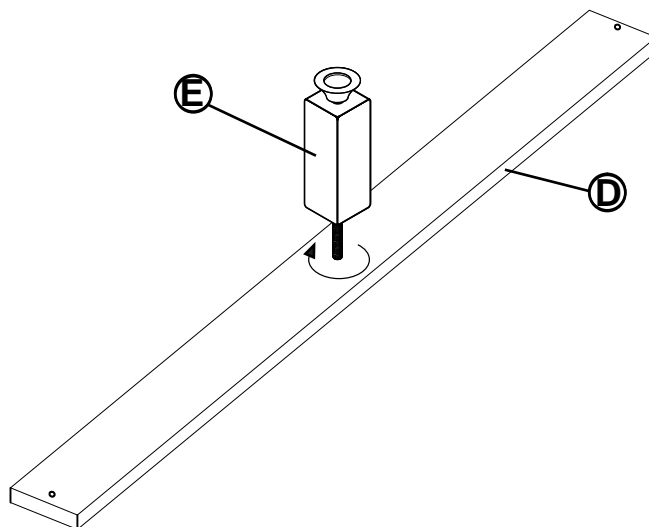
ASSEMBLY INSTRUCTIONS



STEP 1



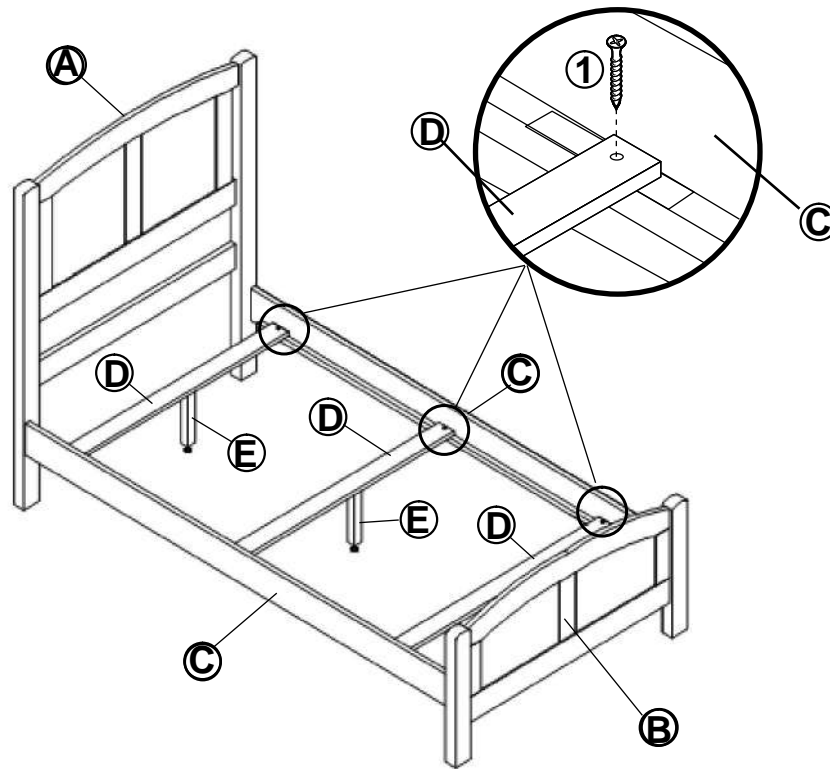
STEP 2



ITEM: 400291T (B1-B3)

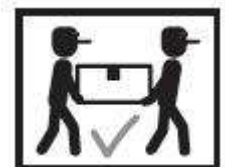
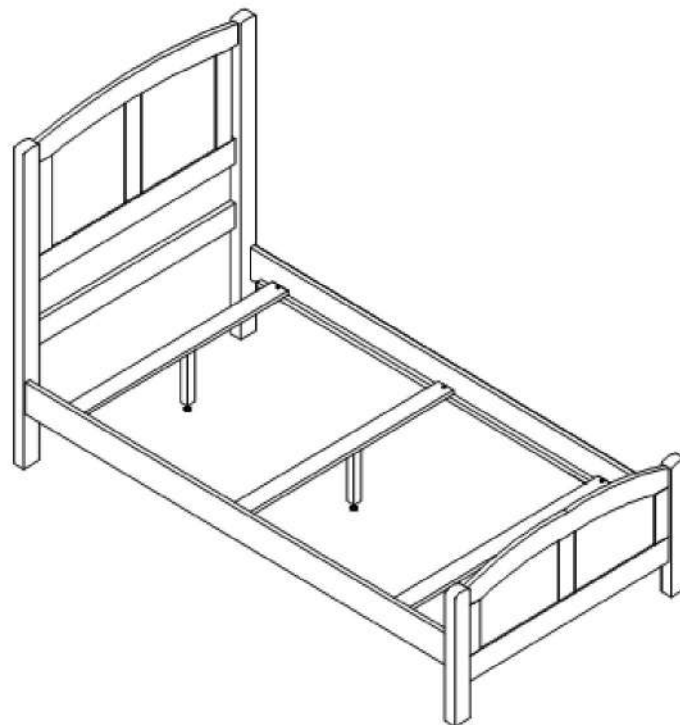
ASSEMBLY INSTRUCTIONS

STEP 3



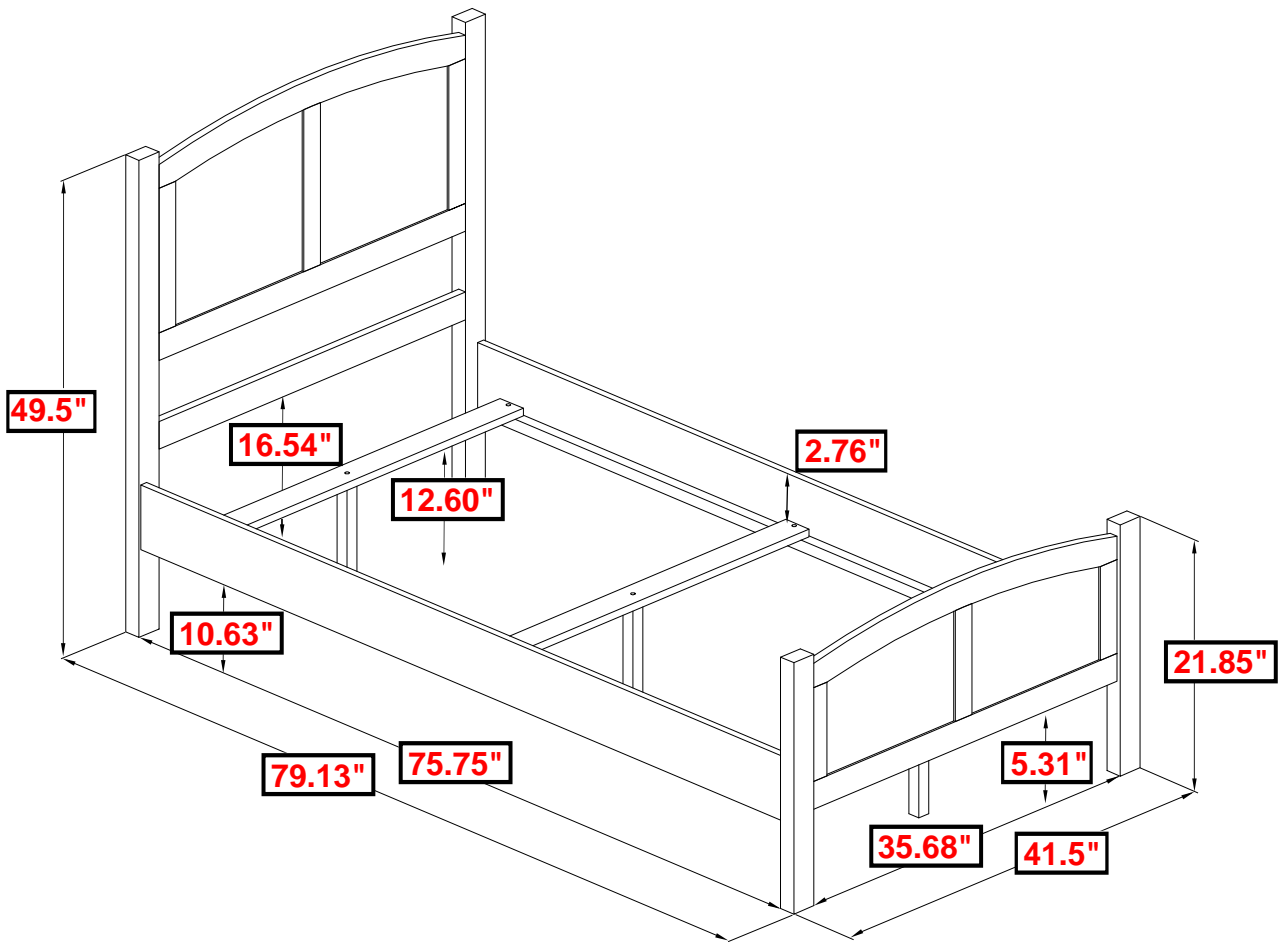
STEP 4

COMPLETE



ITEM:400291T (B1- B3)

INNER SIZE : 75.59" X 39.76"



Note : Dimension tolerance $\pm 5\%$