

*ASSEMBLY INSTRUCTIONS*  
*COASTER FINE FURNITURE*



*Fine Furniture for every stage of life*

**200894**  
***Mirror***

REVISION 0 : 04/13/2016  
REVISION 1 : 08/15/2019  
REVISION 2 : 01/22/2020

ITEM: **200894**

## ASSEMBLY INSTRUCTIONS

### ASSEMBLY TIPS:

1. Remove hardware from box and sort by size.
2. Please check to see that all hardware and parts are present prior to start of assembly.
3. Please follow attached instructions in the same sequence as numbered to assure fast & easy assembly.



### WARNING!

1. Don't attempt to repair or modify parts that are broken or defective. Please contact the store immediately.
2. This product is for home use only and not intended for commercial establishments.

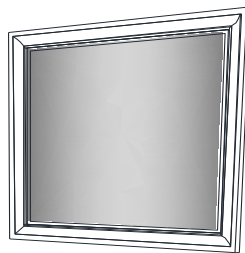


ASSEMBLY TIME

8 MINUTES

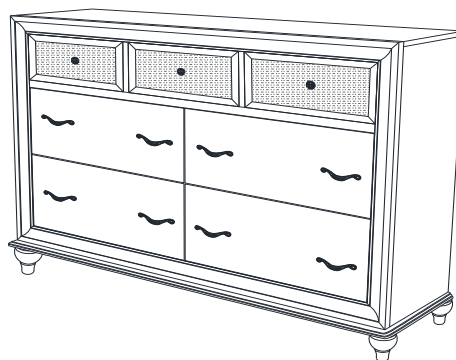
## PARTS IDENTIFICATION

**A MIRROR**



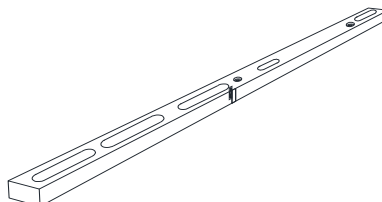
1PC

**B DRESSER  
FROM BOX ITEM  
#200893**



1PC

**C MIRROR  
SUPPORT  
(PACKED WITH MIRROR)**



2PCS

## ASSEMBLY INSTRUCTIONS

### ASSEMBLY TIPS:






1. Remove hardware from box and sort by size.
2. Please check to see that all hardware and parts are present prior to start of assembly.
3. Please follow attached instructions in the same sequence as numbered to assure fast & easy assembly.



### WARNING!

1. Don't attempt to repair or modify parts that are broken or defective. Please contact the store immediately.
2. This product is for home use only and not intended for commercial establishments.

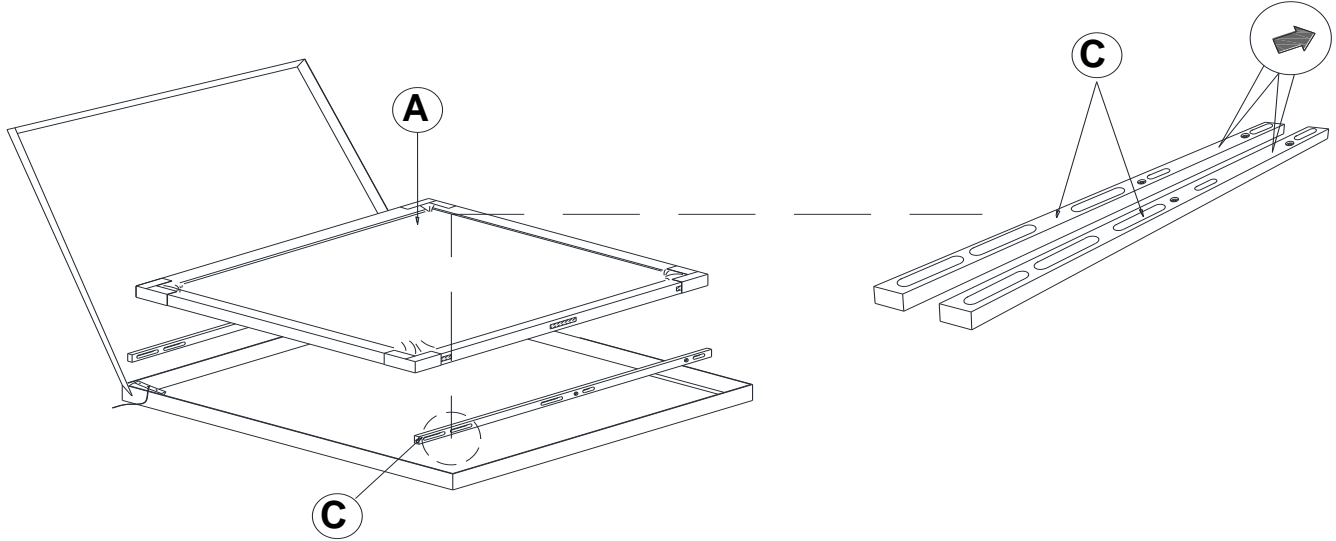
## HARDWARE IDENTIFICATION

1	<b>SHORT BOLT</b> (M6 x 35mm - BLK)		4PCS	5	<b>ALLEN WRENCH</b> (M4 x 60mm - BLK)		1PC
2	<b>LONG BOLT</b> (M6 x 40mm - BLK)		4PCS				
3	<b>LOCK WASHER</b> (1/4" - BLK)		8PCS				
4	<b>FLAT WASHER</b> (1/4" ID x 13mm - BLK)		8PCS				

# ASSEMBLY INSTRUCTIONS

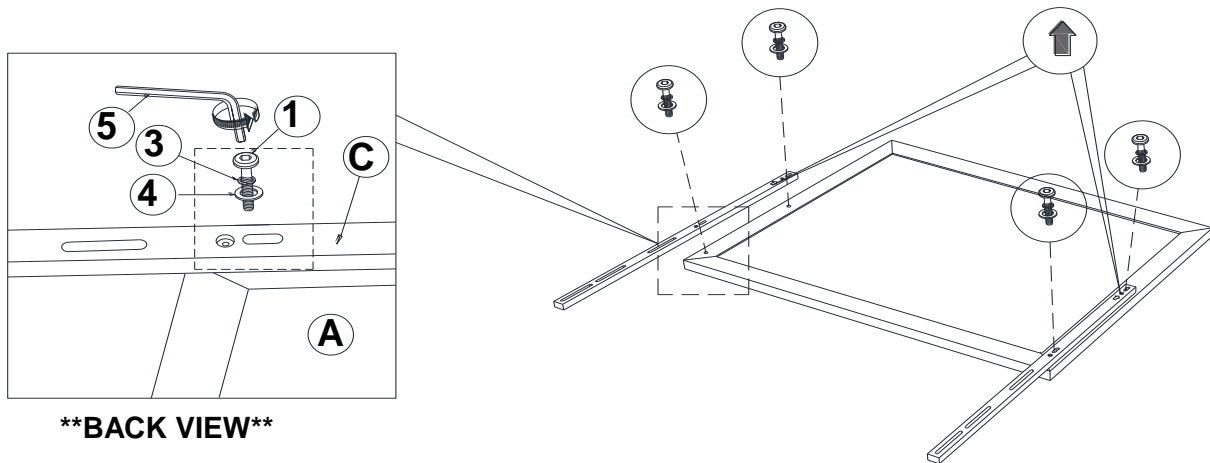
## STEP 1

ARROW MARKING FACE UPWARD



## STEP 2

ARROW MARKING FACE UPWARD



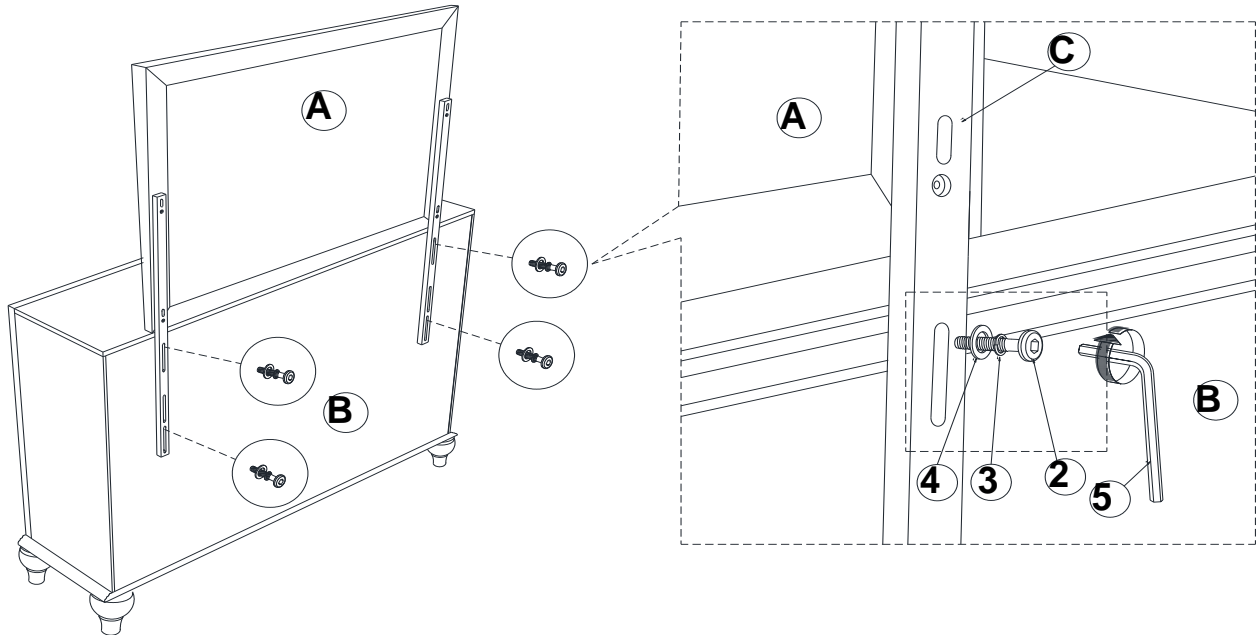
**\*\*BACK VIEW\*\***

ITEM: 200894

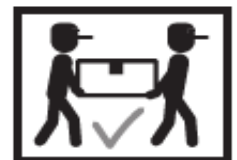
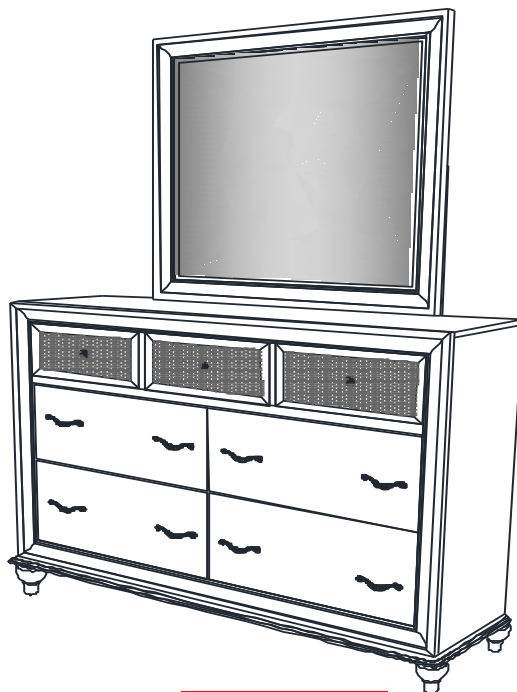


## ASSEMBLY INSTRUCTIONS

### STEP 3

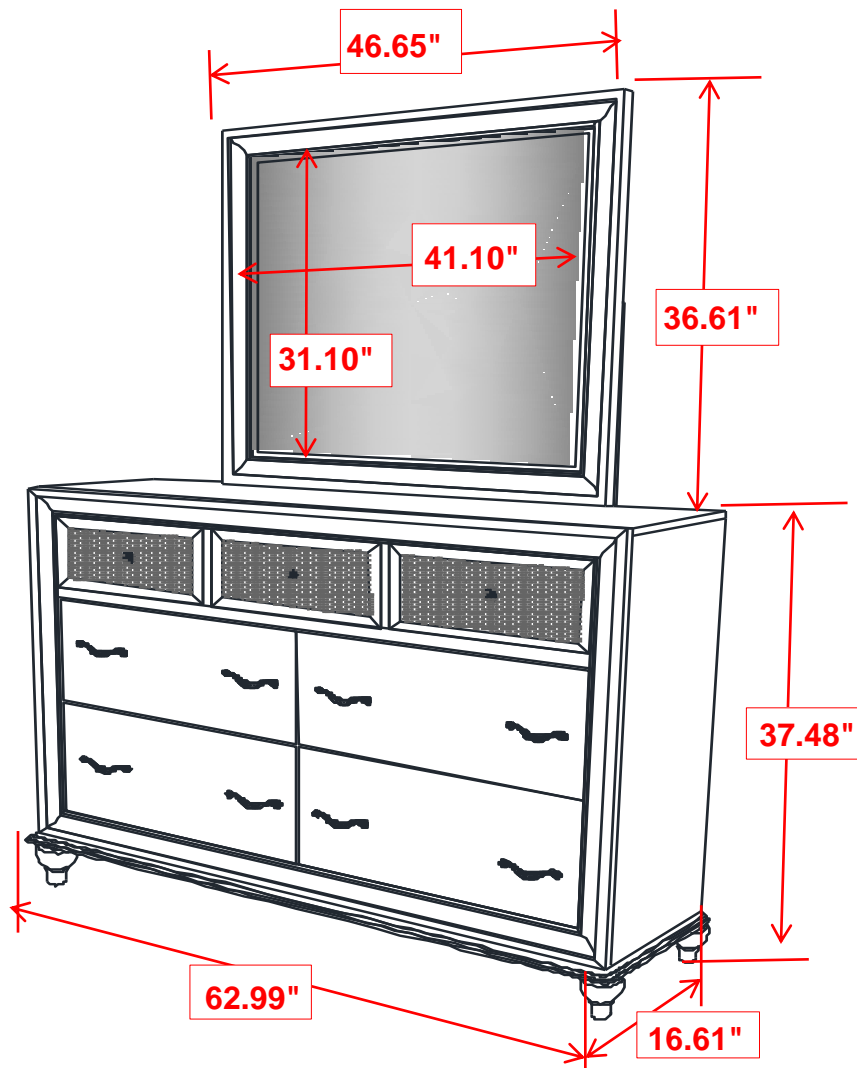


### STEP 4 COMPLETE



ITEM: 200894

**COASTER**  
FINE FURNITURE



**Note :** Dimension tolerance  $\pm 5\%$