

ASSEMBLY INSTRUCTIONS
COASTER FINE FURNITURE



Fine Furniture for every stage of life

800516
OFFICE DESK

ITEM:800516



ASSEMBLY INSTRUCTIONS

ASSEMBLY TIPS:

1. Remove hardware from box and sort by size.
2. Please check to see that all hardware and parts are present prior to start of assembly.
3. Please follow attached instructions in the same sequence as numbered to assure fast & easy assembly.



WARNING!

1. Don't attempt to repair or modify parts that are broken or defective. Please contact the store immediately.
2. This product is for home use only and not intended for commercial establishments.



ASSEMBLY TIME

80 MINUTES

PARTS IDENTIFICATION

A	LARGE LEFT SIDE PANEL		1 PC	I	LARGE RIGHT DRAWER SIDE PANEL		1 PC
B	LARGE RIGHT SIDE PANEL		1 PC	J	SMALL DRAWER BOTTOM PANEL		2 PCS
C	SMALL BOTTOM PANEL		1 PC	K	SMALL DRAWER FRONT PANEL		2 PCS
D	TOP DRAWER PANEL		1 PC	L	SMALL DRAWER BACK PANEL		2 PCS
E	BACK PANEL		1 PC	M	SMALL LEFT DRAWER SIDE PANEL		2 PCS
F	LARGE DRAWER FRONT PANEL		1 PC	N	SMALL RIGHT DRAWER SIDE PANEL		2 PCS
G	LARGE DRAWER BACK PANEL		1 PC	O	SMALL LEFT SIDE PANEL		1 PC
H	LARGE LEFT DRAWER SIDE PANEL		1 PC	P	SMALL RIGHT SIDE PANEL		1 PC

NOTE:

Phillips head screw driver is required in the assembly process; however, manufacturer does not provide this item.

ITEM:800516

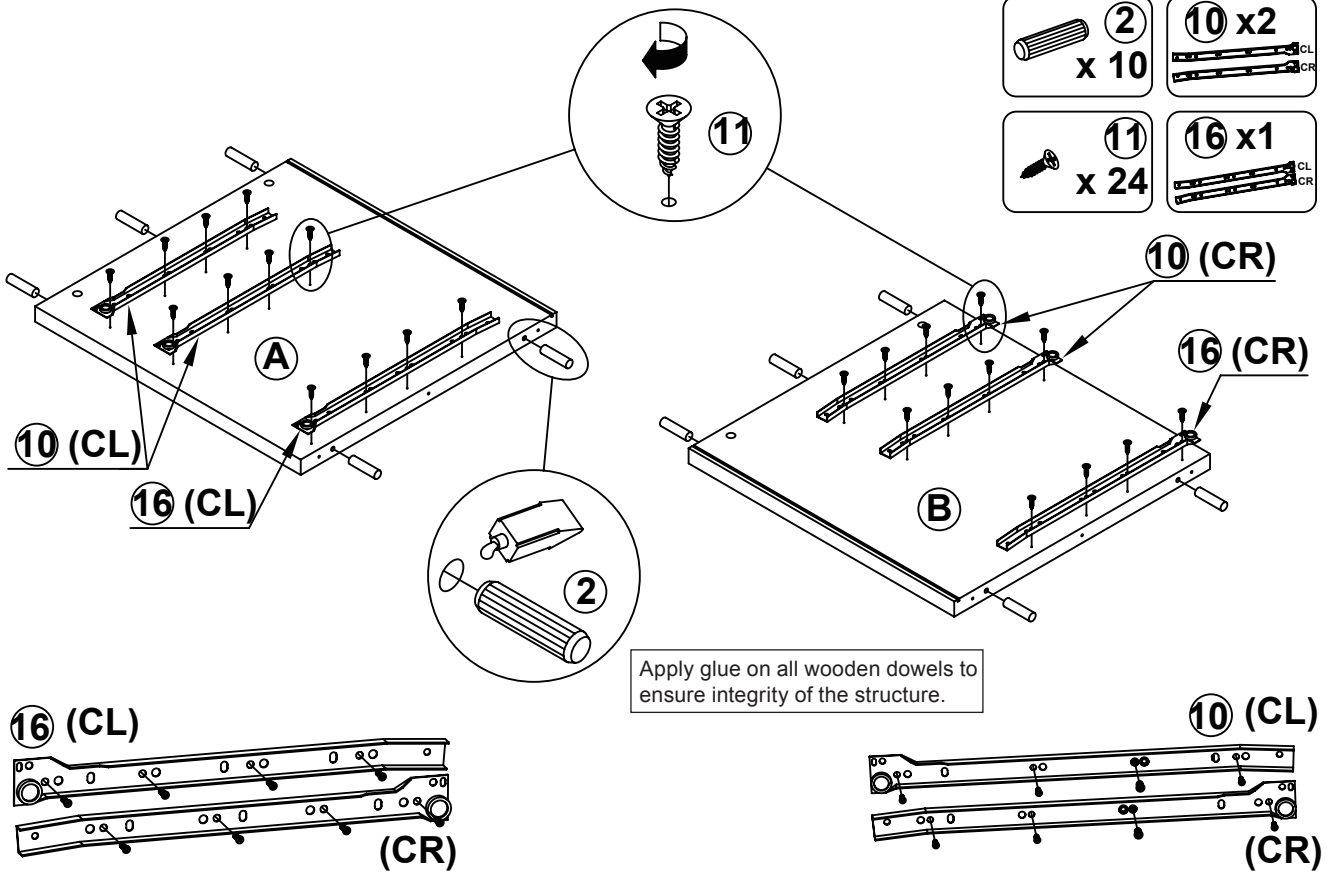
Q	LARGE BOTTOM PANEL		1 PC	U	SMALL ADJUSTABLE PANEL		2 PCS
R	MIDDLE TOP PANEL		1 PC	V	LARGE TOP PANEL		1 PC
S	LARGE ADJUSTABLE PANEL		1 PC	A1	LARGE TOP PANEL PARTITION BOARDS		2 PCS
T	DIVIDER PANEL		2 PCS	B1	LARGE DRAWER BOTTOM PANEL		1 PC

HARDWARE IDENTIFICATION

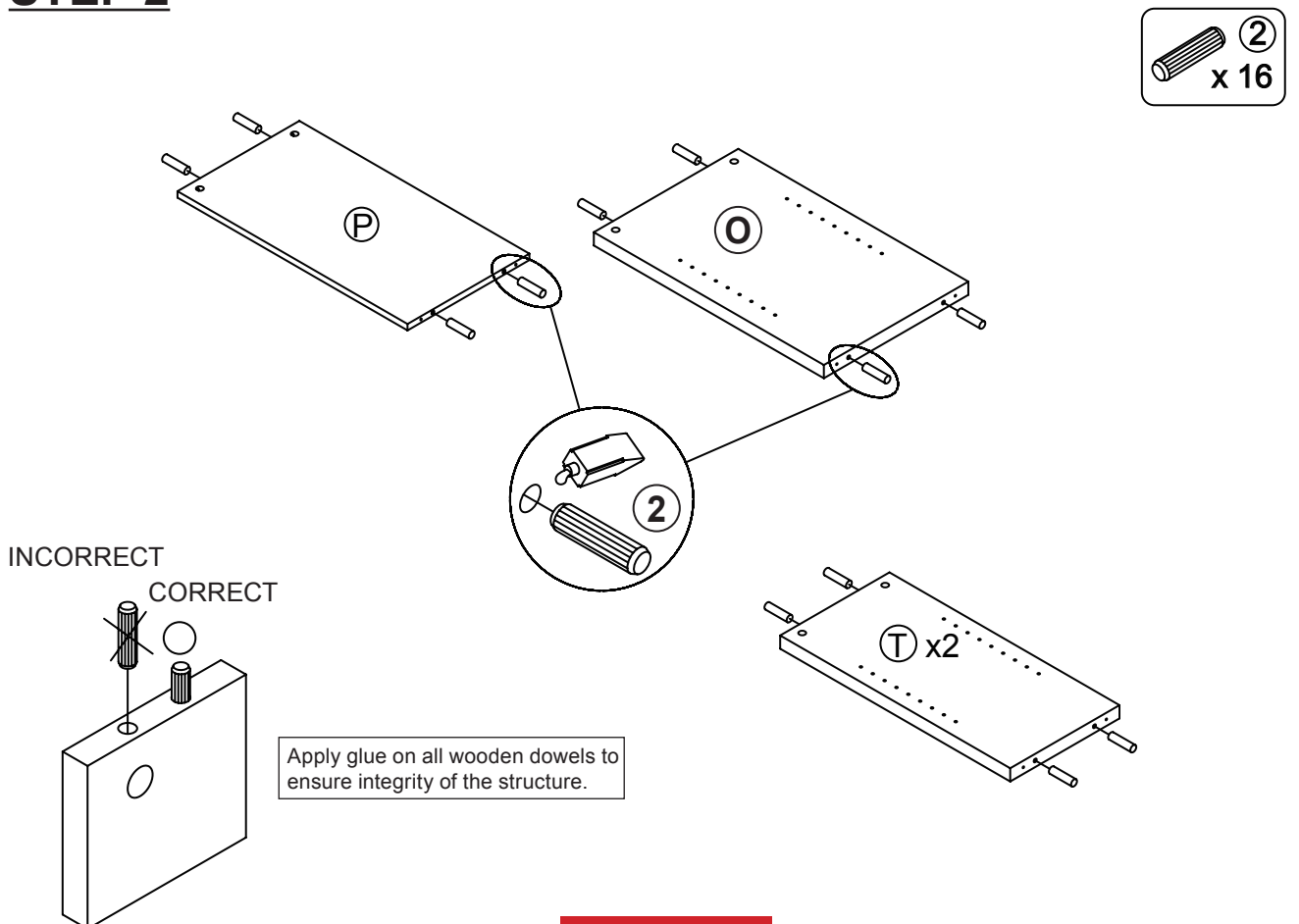
Z	NO	DESCRIPTION	FIGURE	Q'TY	NO	DESCRIPTION	FIGURE	Q'TY
	1	GLUE 40g		1 PC	10	SAMLL RAIL L = 400mm WHT		2 SET
	2	WOODEN DOWEL Ø 8x30mm		34 PCS	11	SHORT SCREW Ø 3x12mm SR		42 PCS
	3	CAM BOLT Ø 7x35.5mm SR		18 PCS	12	FOOT 50x50x18mm		9 PCS
	4	CAM LOCK Ø 15x12mm SR		18 PCS	13	SCREW FOR FOOT Ø 5x23mm BLK		18 PCS
	5	LONG SCREW Ø 4.3x35mm SR		20 PCS	14	SHORT BOLT M6x42mm SR		4 PCS
	6	LONG BOLT Ø 9.5x55mm FOR BOTTOM PANEL SR		14 PCS	15	STICKER Ø 20mm		3 PCS
	7	PIN Ø 4.9x8mm SR		12 PCS	16	LARGE RAIL L = 450mm WHT		1 SET
	8	HANDLE L= 120mm		3 PCS	17	IRON BAR Ø 9.5x289.5mm SR		2 PCS
	9	HANDLE BOLT Ø 4x28mm SR		6 PCS				

Z8,Z9,Z10,Z12,Z16,Z17 not included in blister packaging.

STEP 1



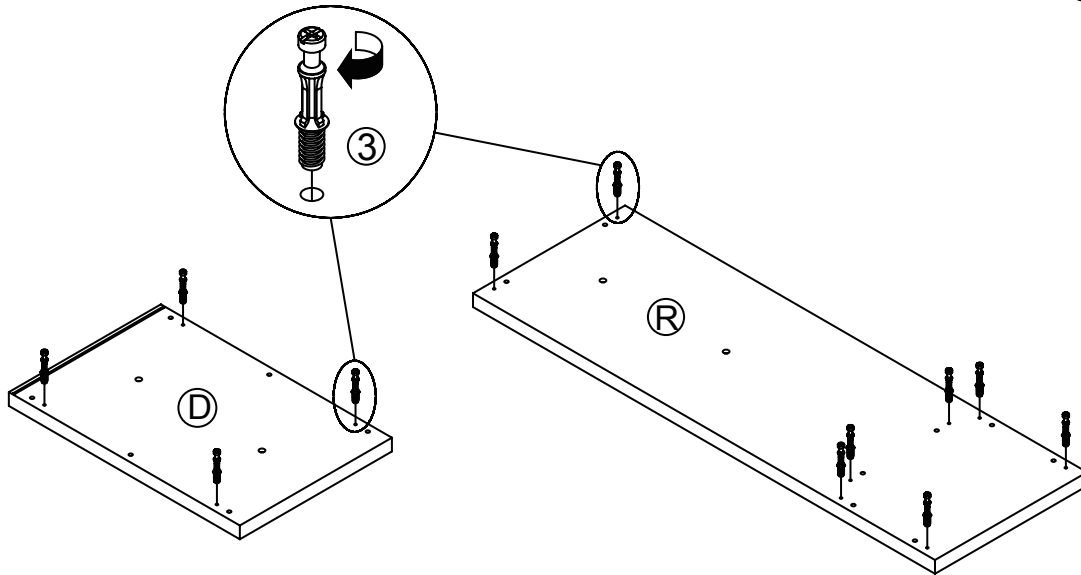
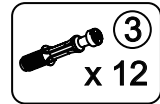
STEP 2



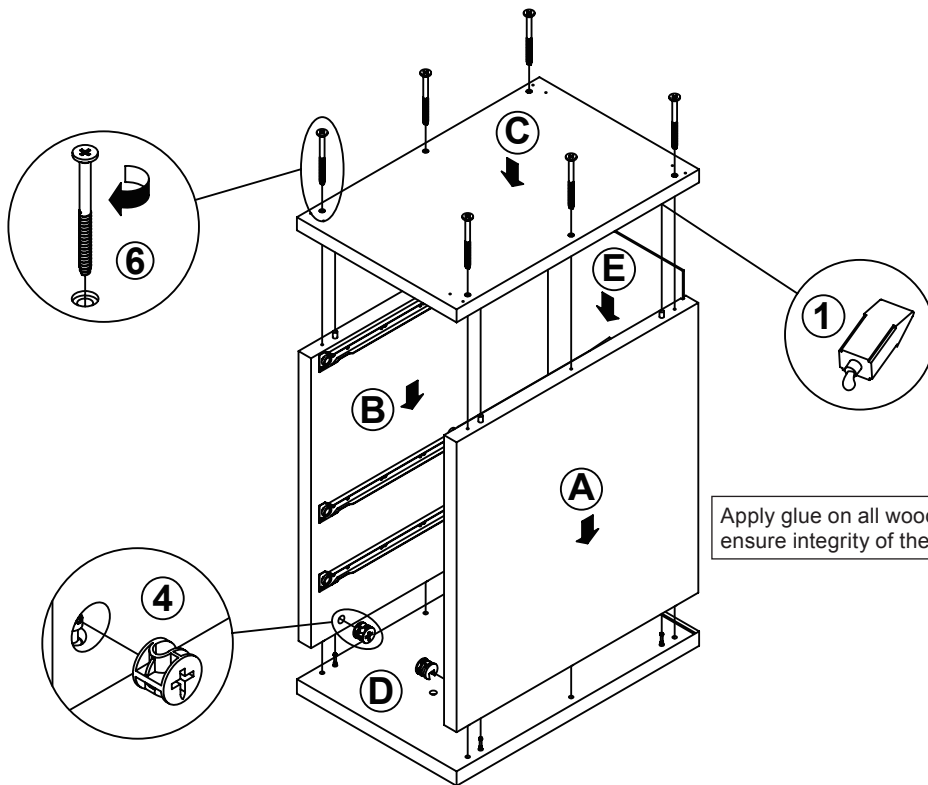
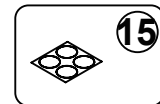
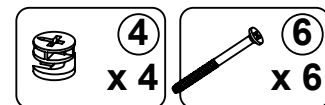
ITEM: 800516

COASTER
FINE FURNITURE

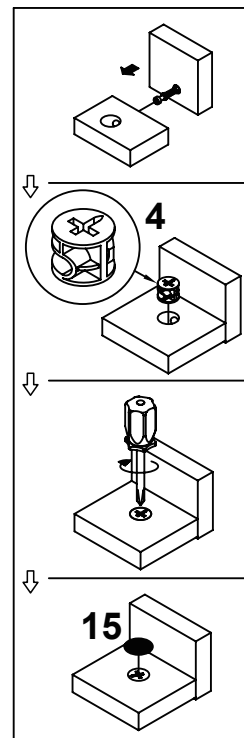
STEP 3



STEP 4

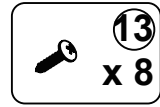
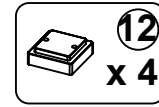
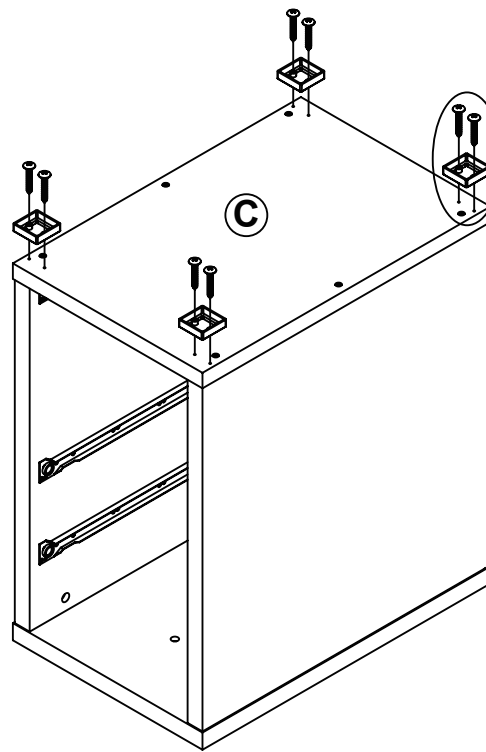


Apply glue on all wooden dowels to ensure integrity of the structure.

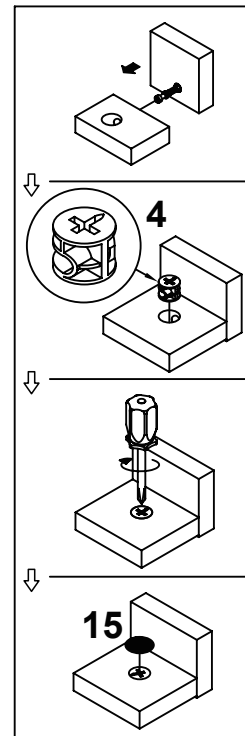
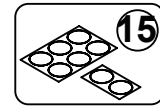
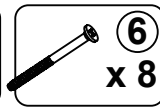
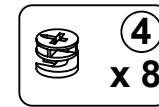
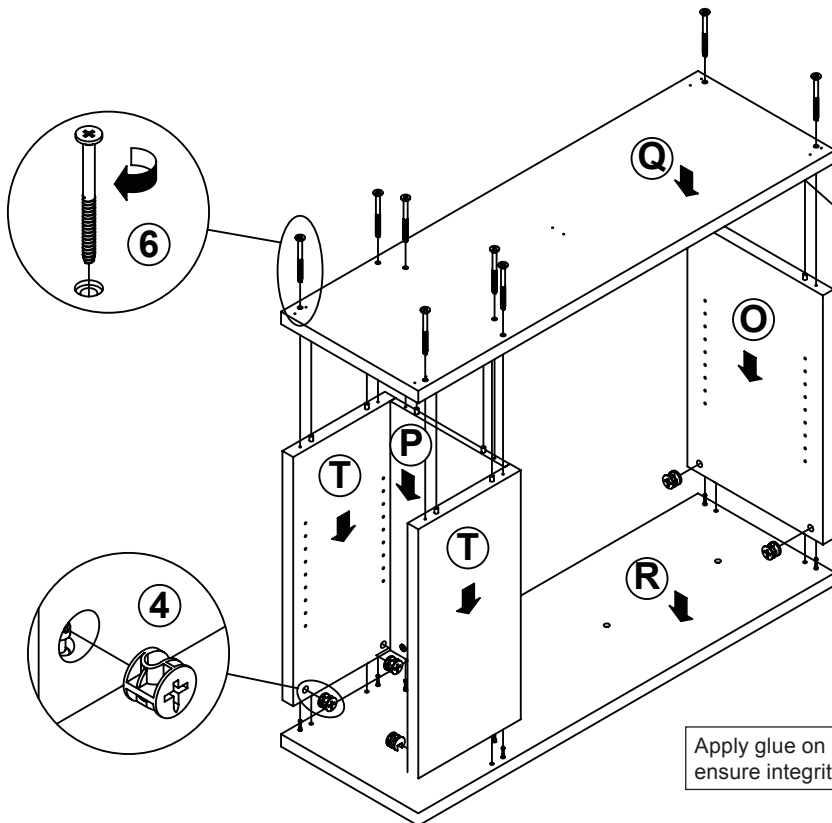


ITEM: 800516

STEP 5



STEP 6

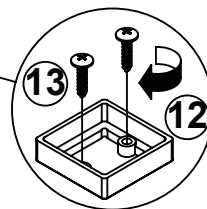
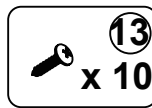
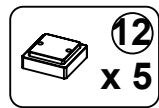
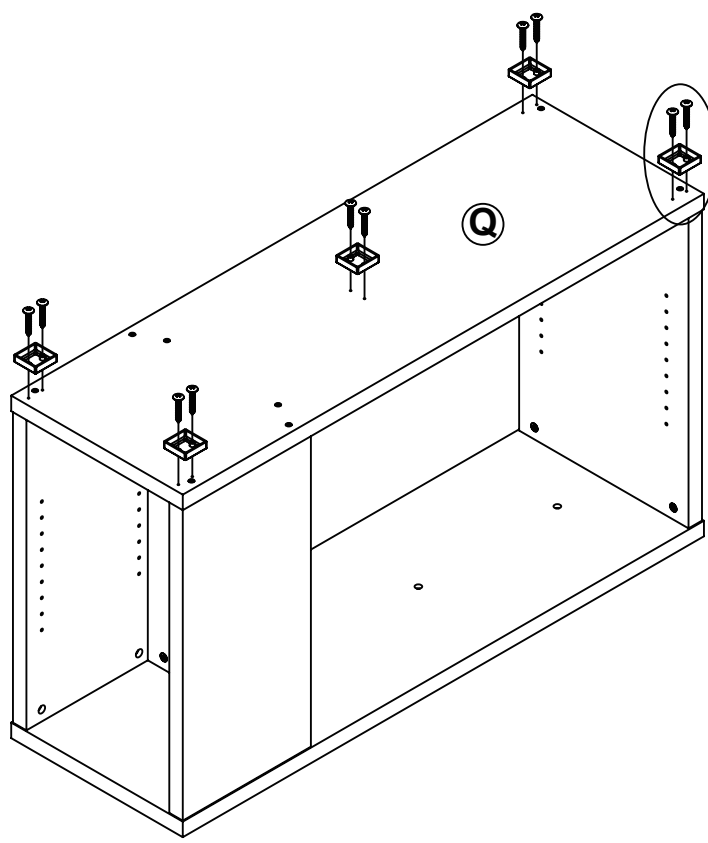


Apply glue on all wooden dowels to ensure integrity of the structure.

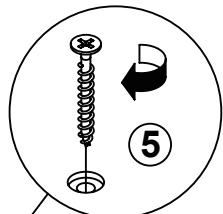
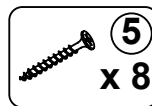
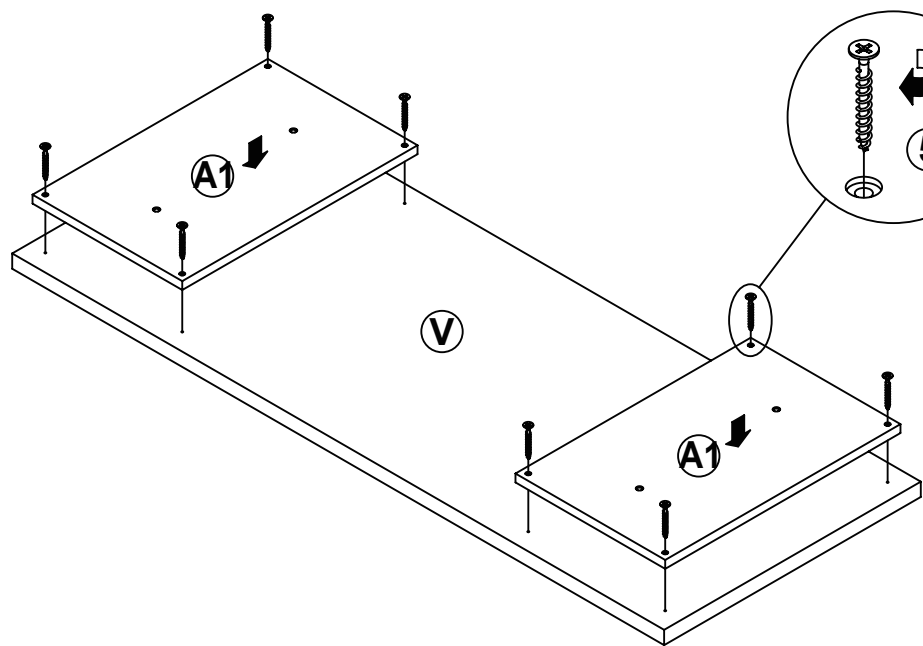
ITEM: 800516

COASTER
FINE FURNITURE

STEP 7

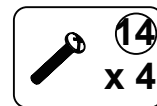


STEP 8



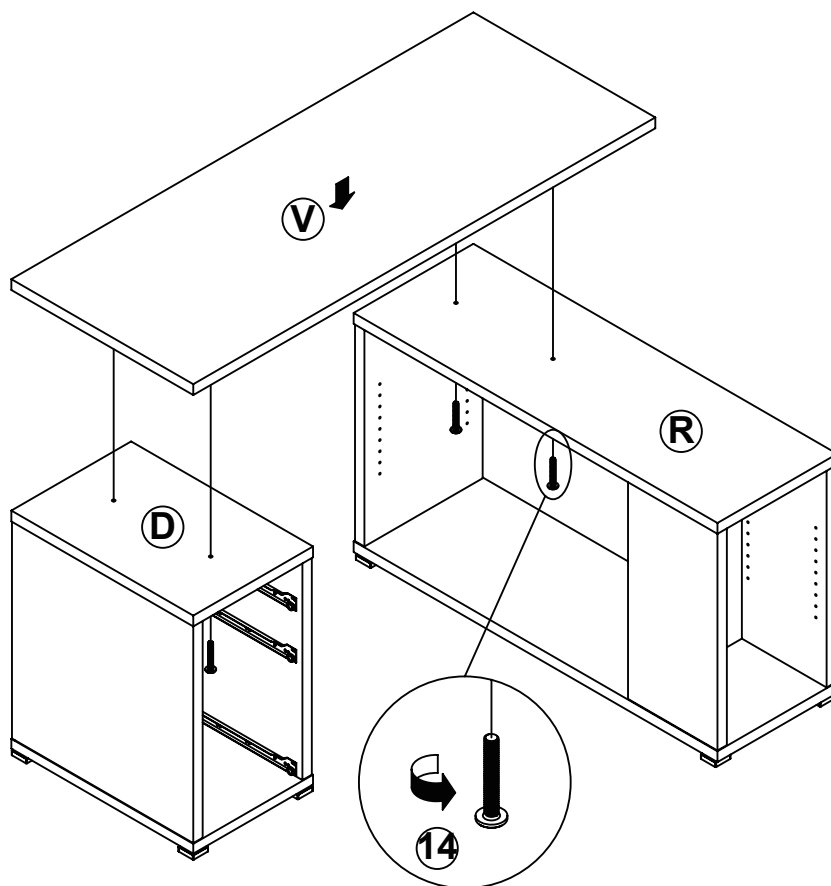
ITEM: 800516

COASTER
FINE FURNITURE

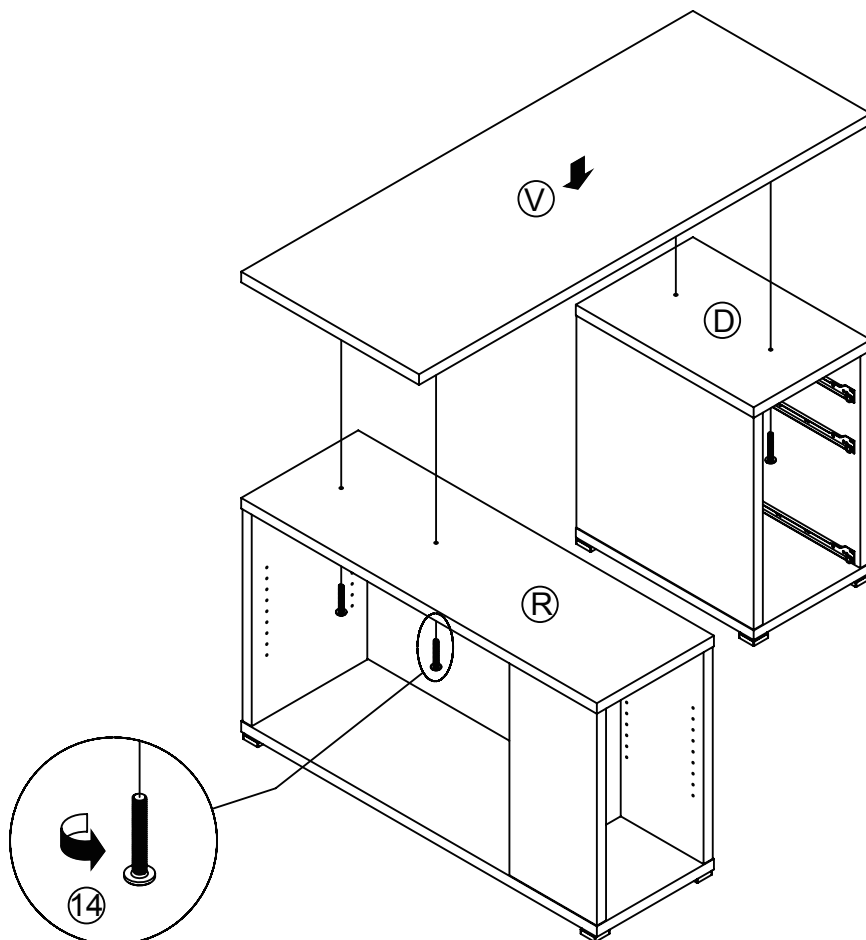


STEP 9

LEFT



RIGHT

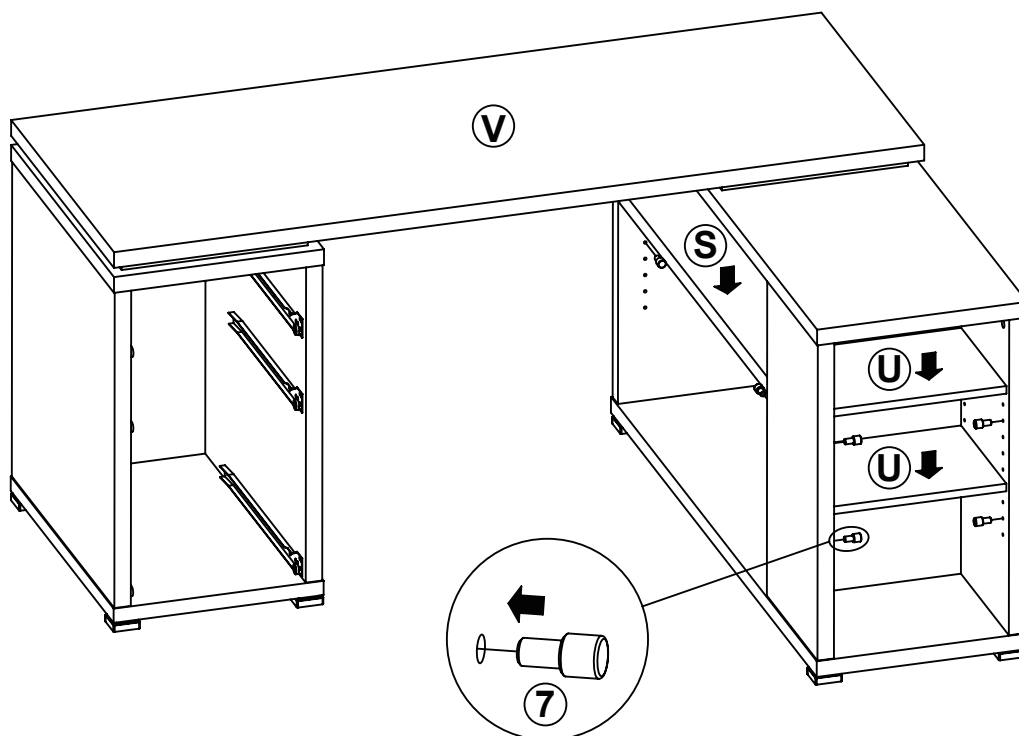
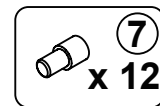


ITEM: 800516

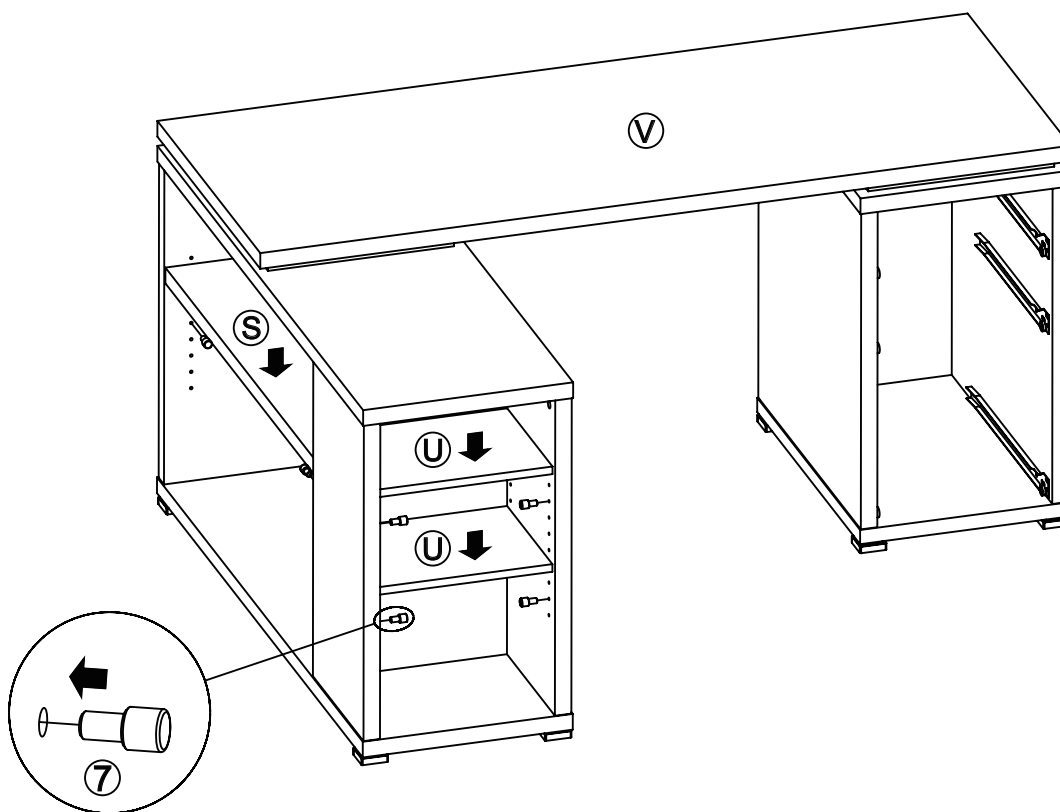
COASTER
FINE FURNITURE

STEP 10

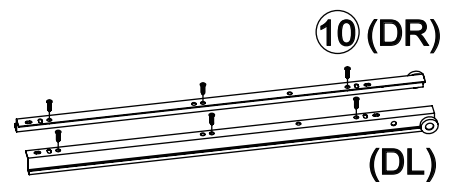
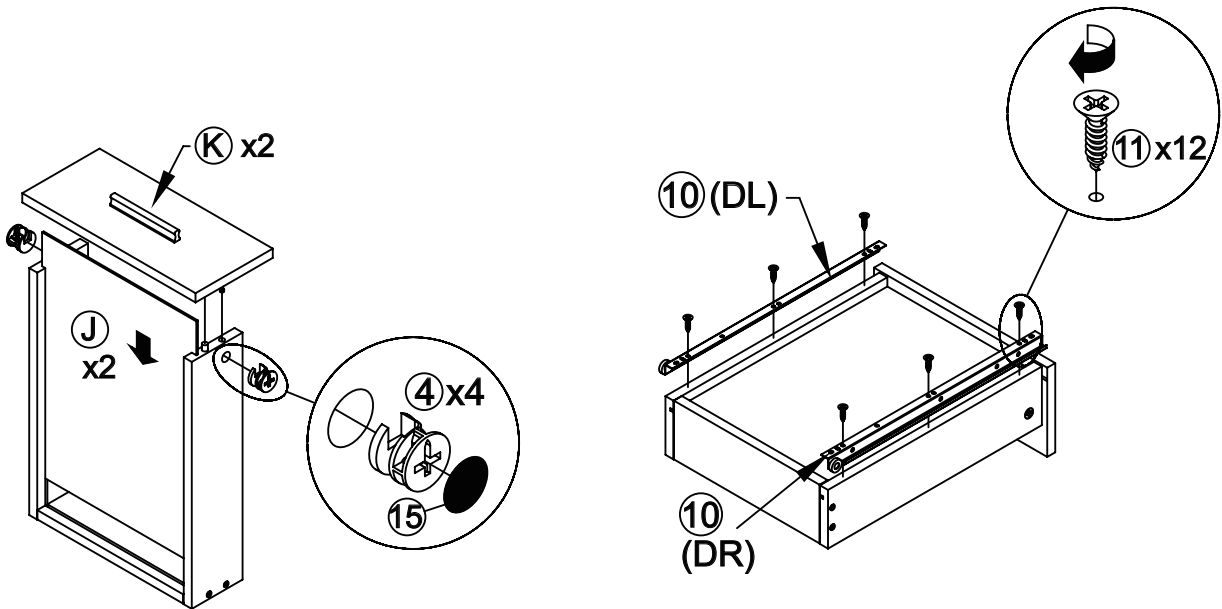
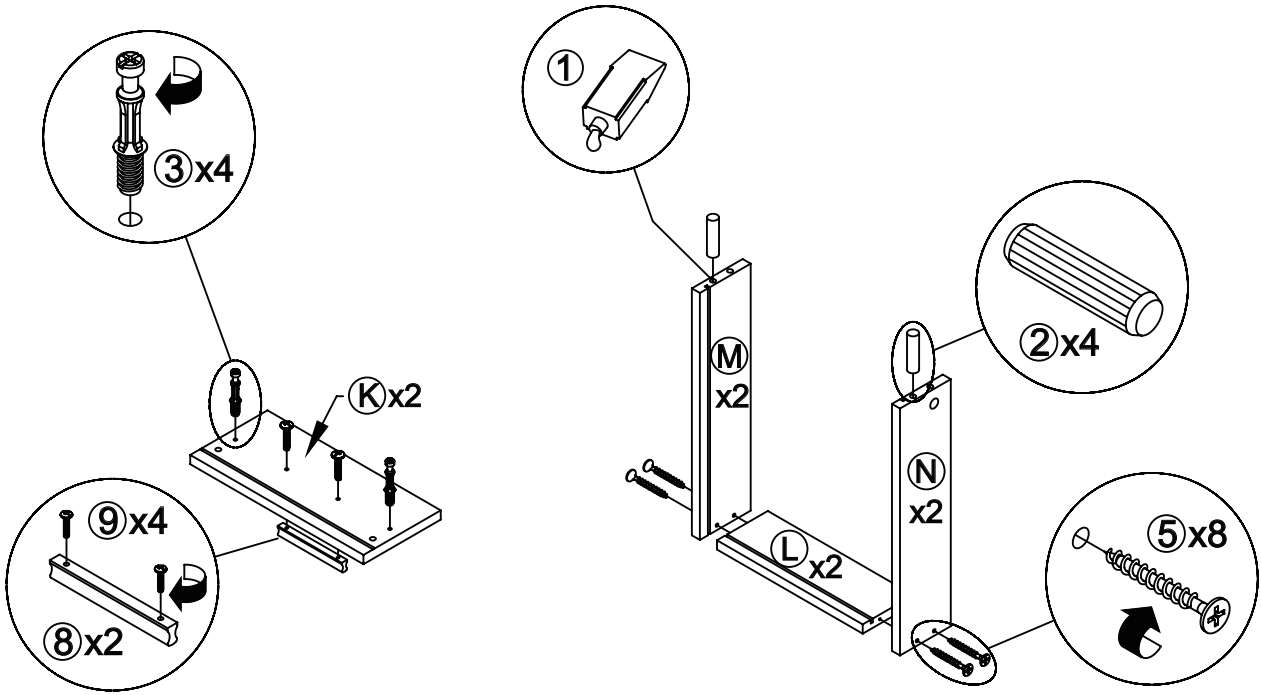
LEFT



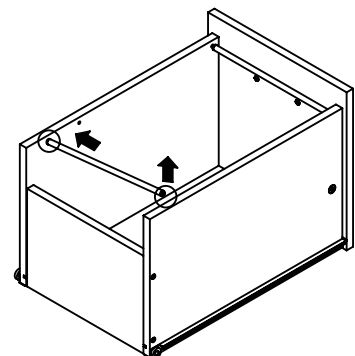
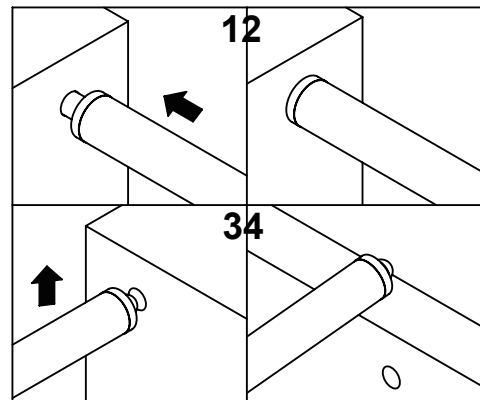
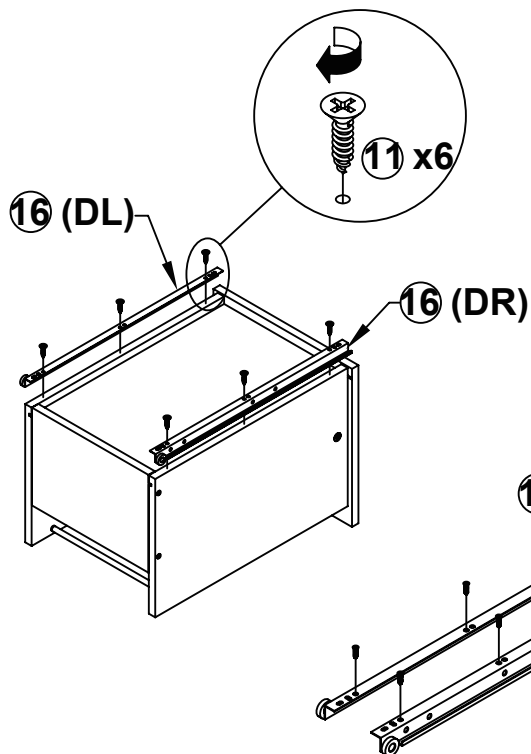
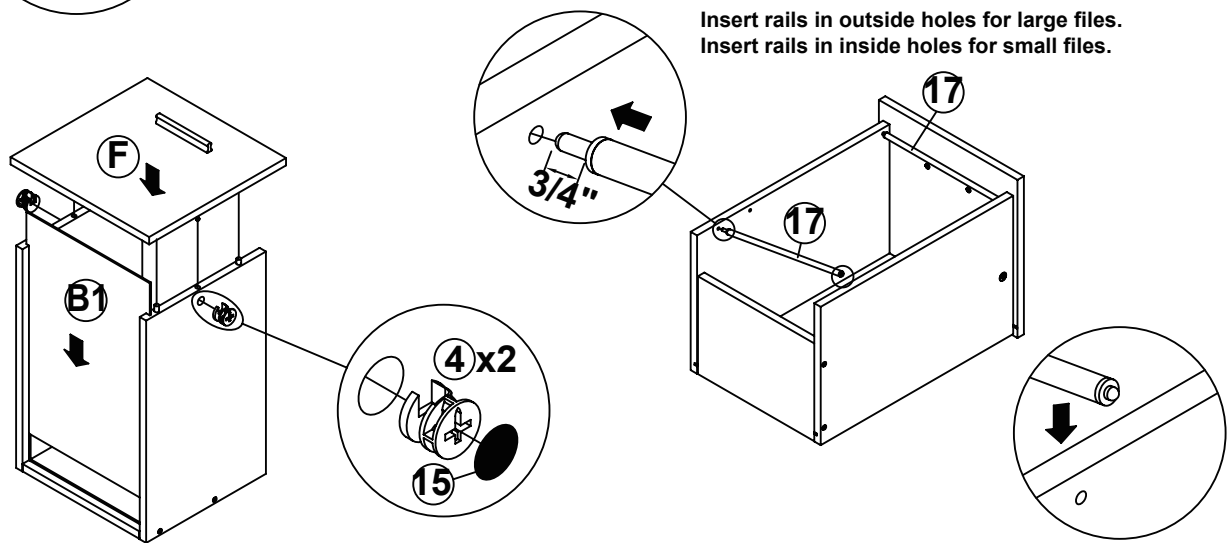
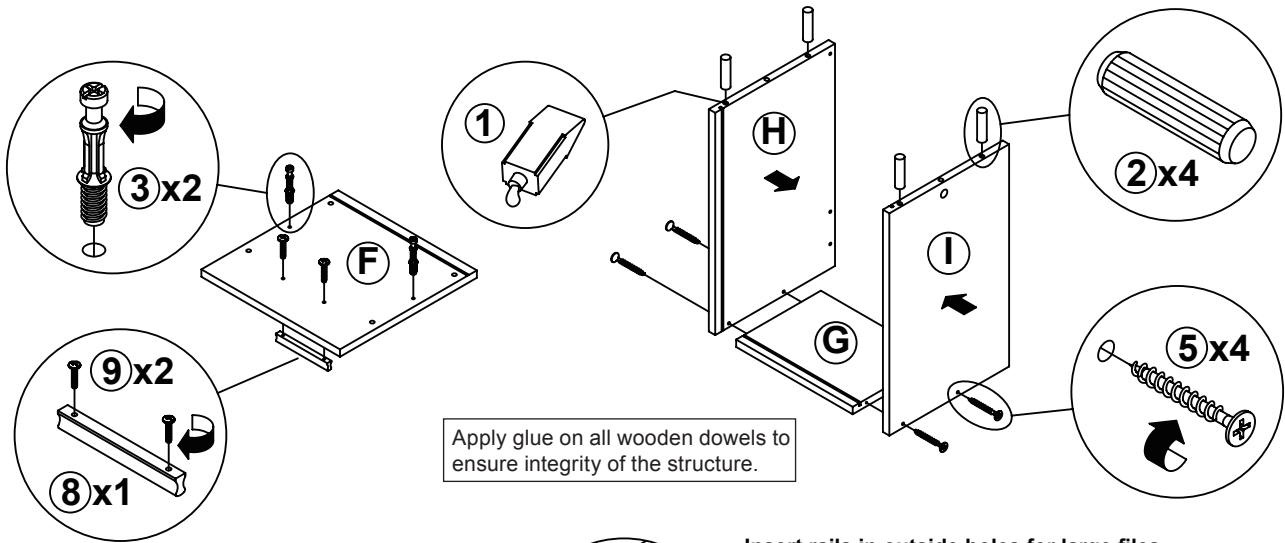
RIGHT



STEP 11

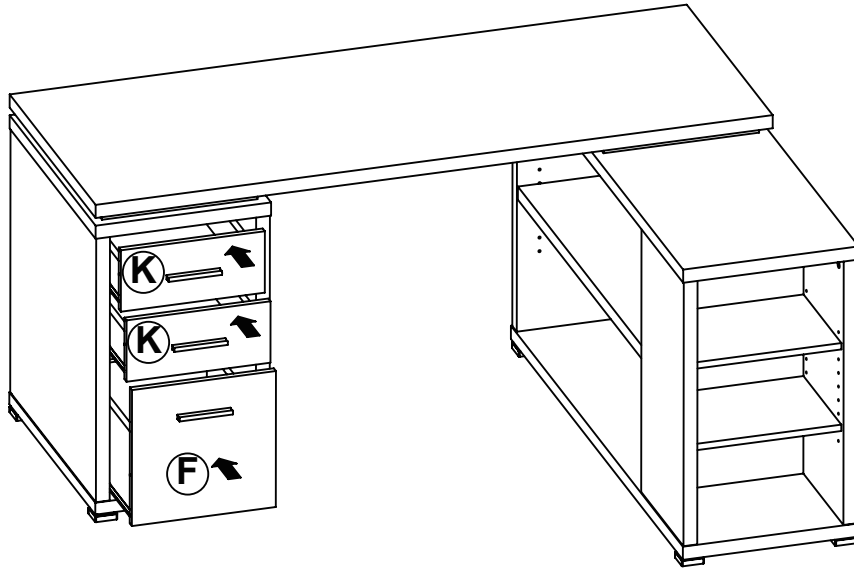


STEP 12

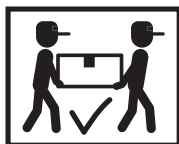
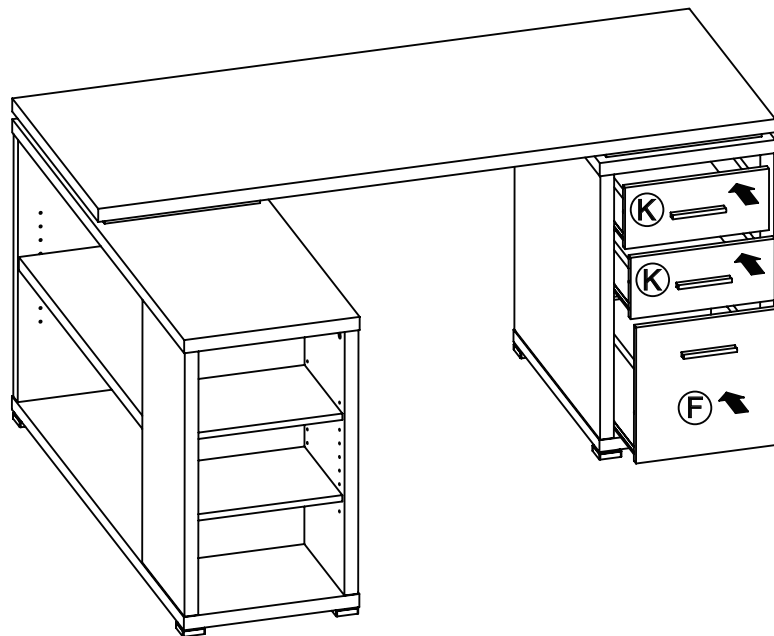


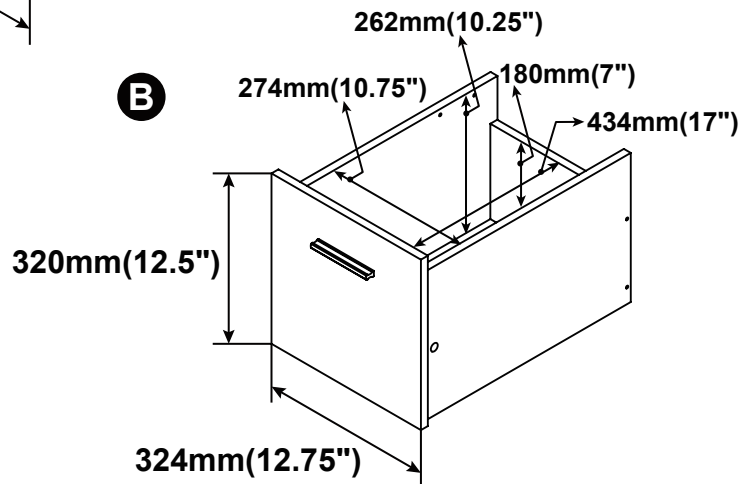
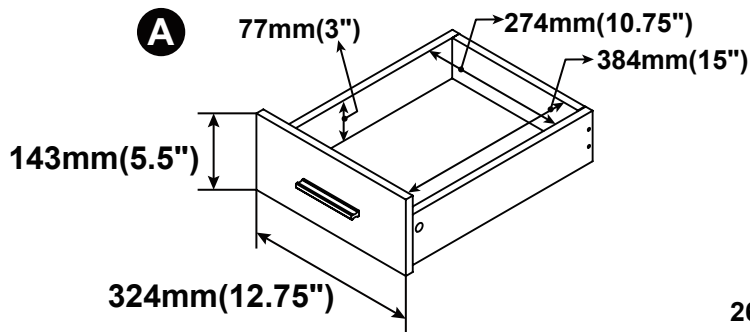
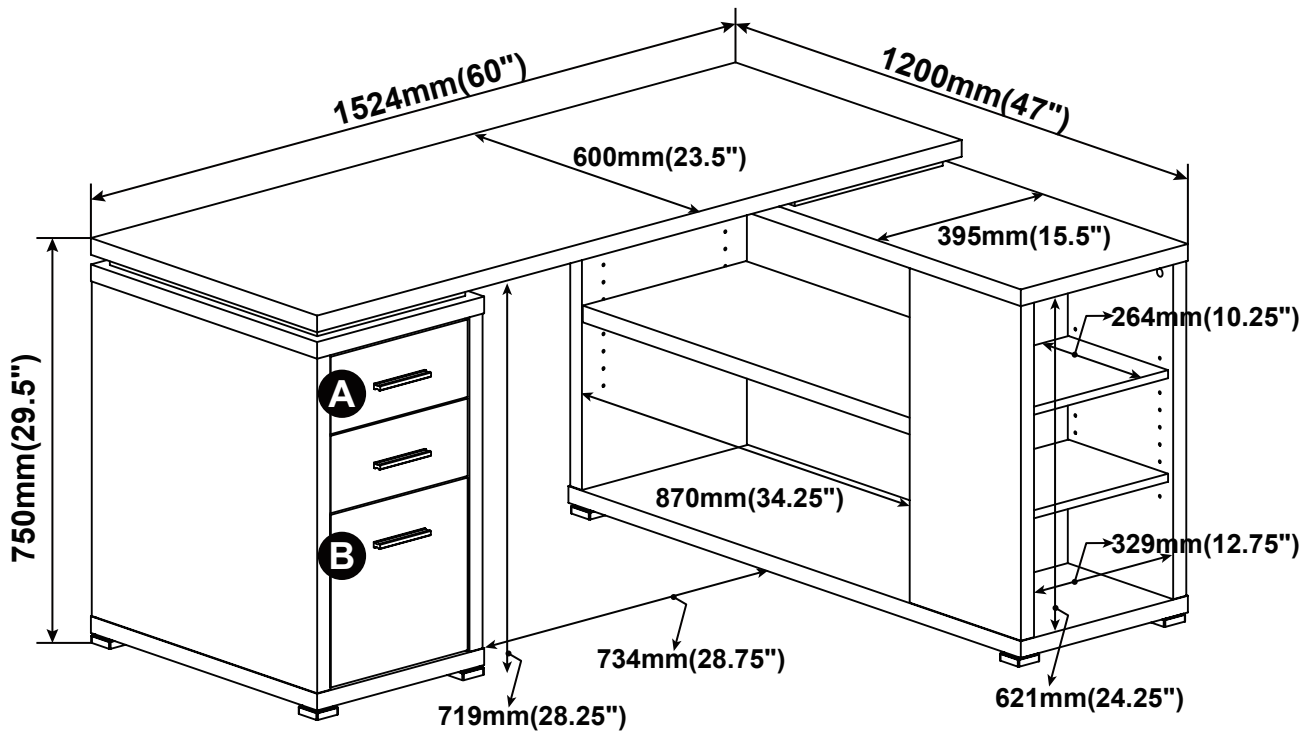
ITEM: 800516

STEP 13
LEFT



RIGHT





Note : Dimension tolerance $\pm 5\%$