

*ASSEMBLY INSTRUCTIONS
COASTER FINE FURNITURE*



Fine Furniture for every stage of life

800307
BOOKCASE

ITEM:800307

ASSEMBLY INSTRUCTIONS

ASSEMBLY TIPS:

1. Remove hardware from box and sort by size.
2. Please check to see that all hardware and parts are present prior to start of assembly.
3. Please follow attached instructions in the same sequence as numbered to assure fast & easy assembly.



WARNING!

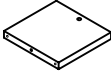




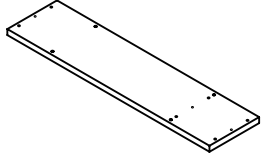
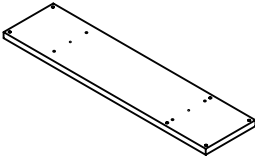
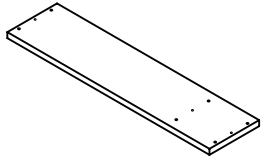
1. Don't attempt to repair or modify parts that are broken or defective. Please contact the store immediately.
2. This product is for home use only and not intended for commercial establishments.



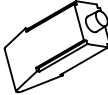

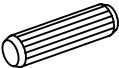

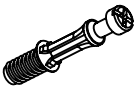
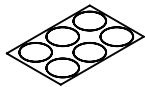
ASSEMBLY TIME

60 MINUTES

PARTS IDENTIFICATION

A	SIDE PANEL		12PCS	E	UPPER DIVIDER PANEL		6PCS
B	LOWER BACK PANEL		1PC	F	UPPER BACK PANEL		3PCS
C	LOWER DIVIDER PANEL		2PCS	G	CROSS PANEL		3PCS
D	BOTTOM PANEL		4PCS	H	TOP PANEL		1PC

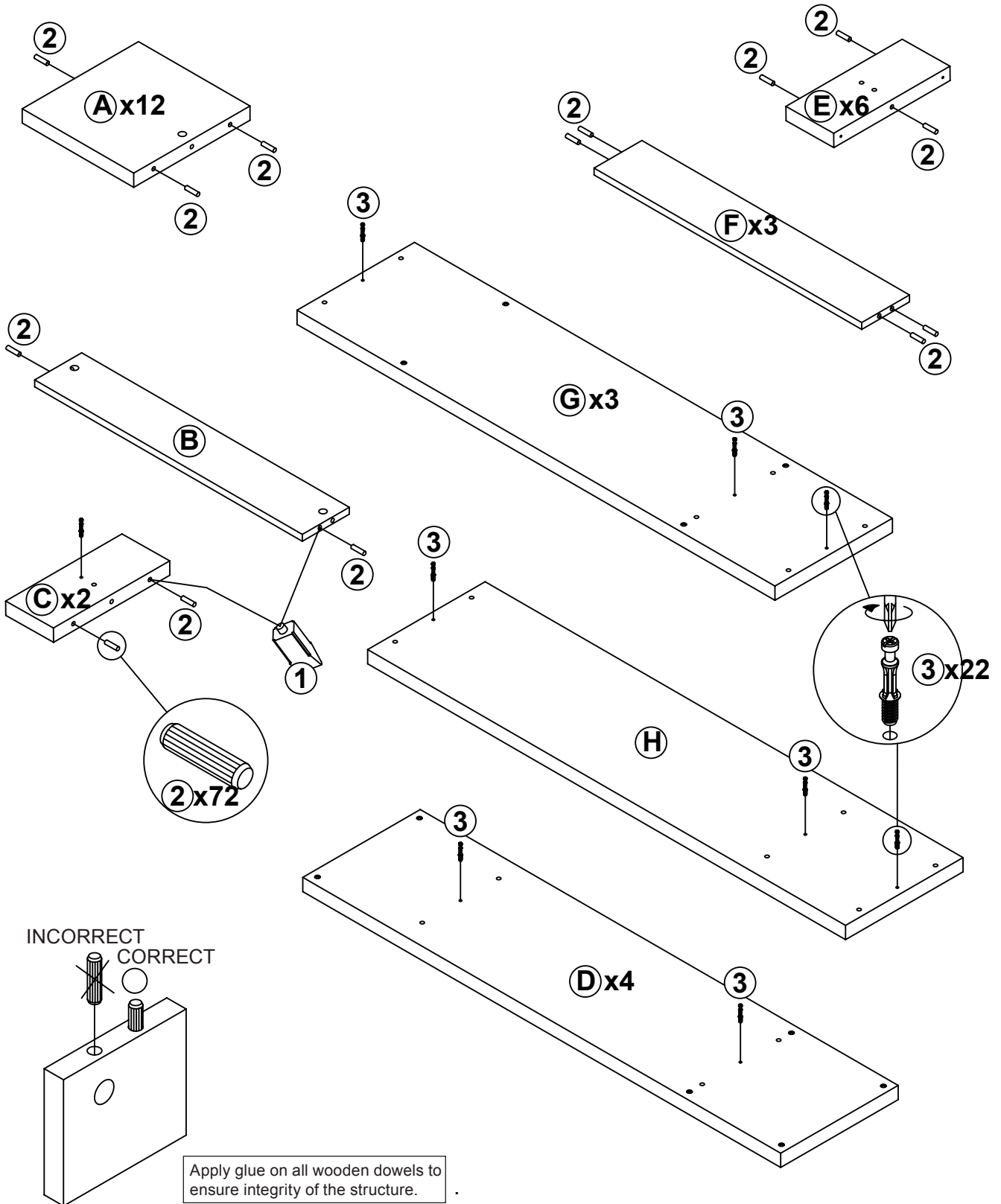
HARDWARE IDENTIFICATION

Z	NO	DESCRIPTION	FIGURE	Q'TY	NO	DESCRIPTION	FIGURE	Q'TY
	1	GLUE 40g		1PC	4	CAM LOCK Ø 15x12mm		22PCS
	2	WOODEN DOWEL Ø 8x30mm		72PCS	5	BOLT Ø 9.5x55mm		36PCS
	3	CAM BOLT Ø 7x35.5mm		22PCS	6	STICKER Ø 20mm		4PCS

NOTE:

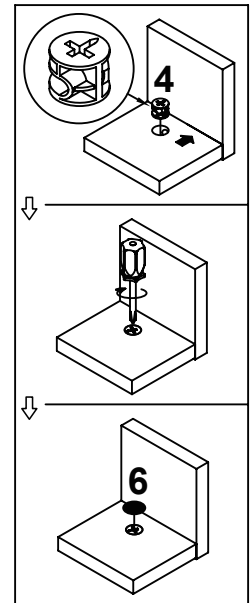
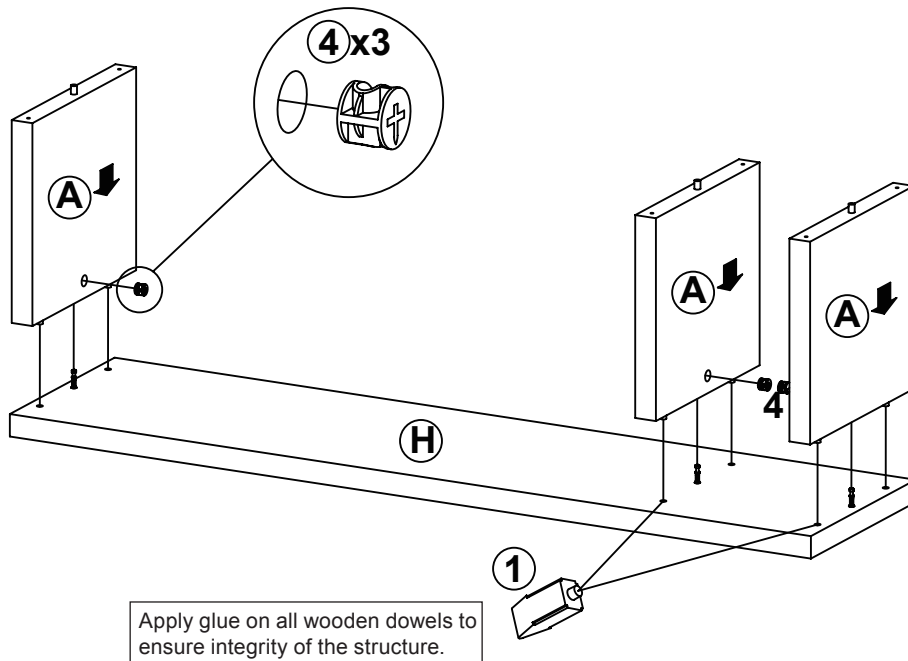
Phillips head screw driver is required in the assembly process; however, manufacturer does not provide this item.

STEP 1

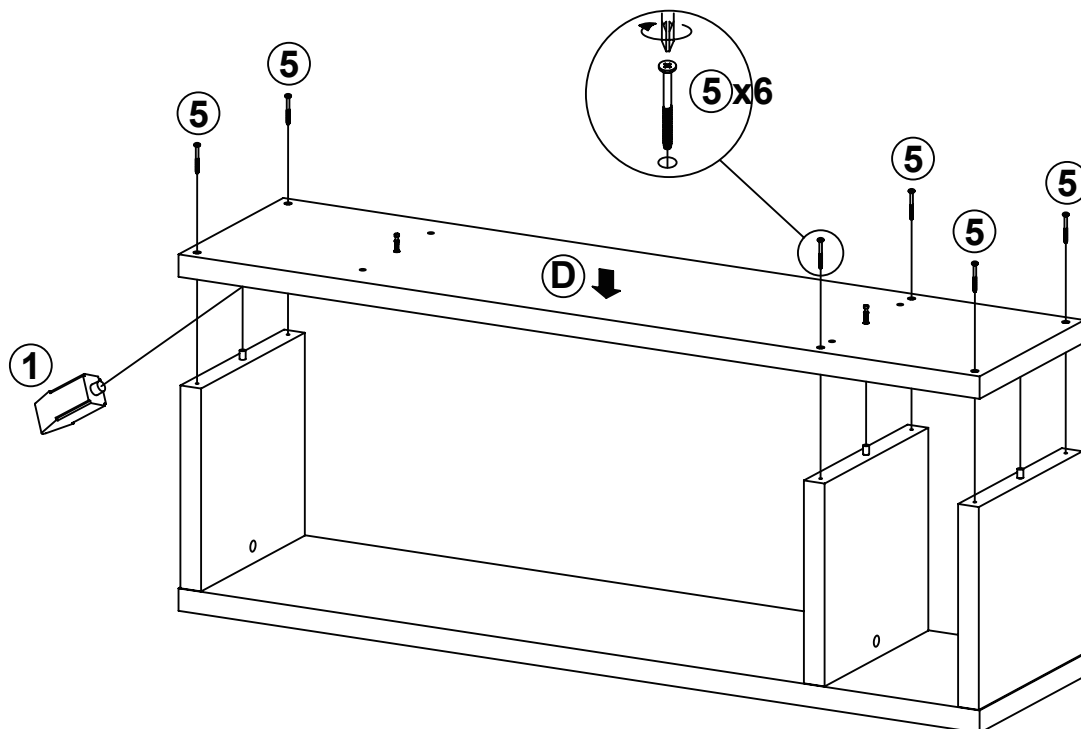


ITEM: 800307

STEP 2

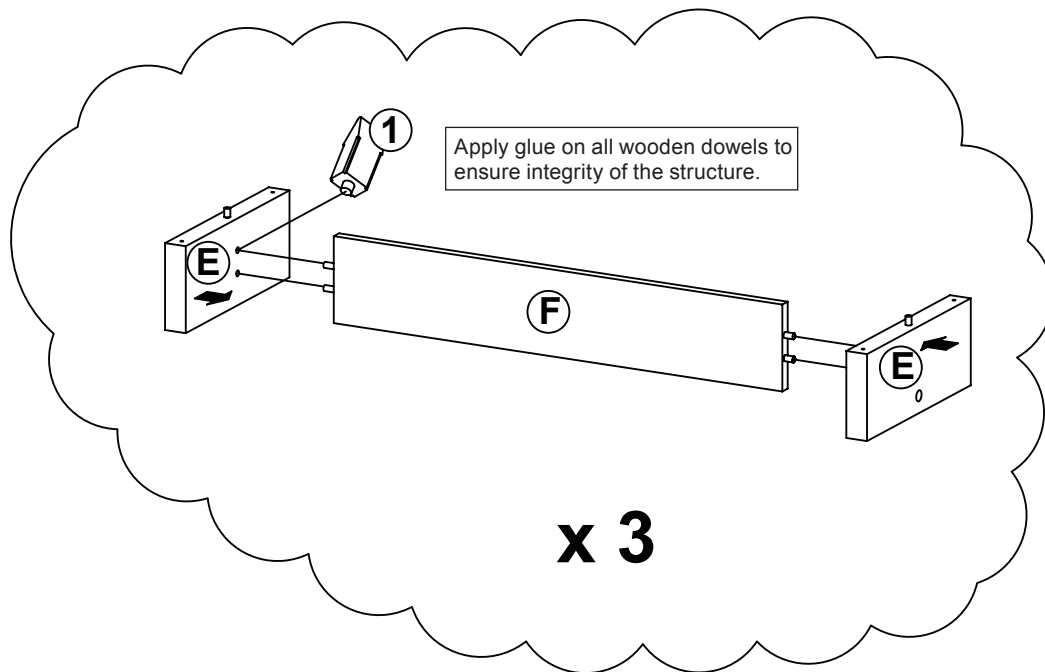


STEP 3

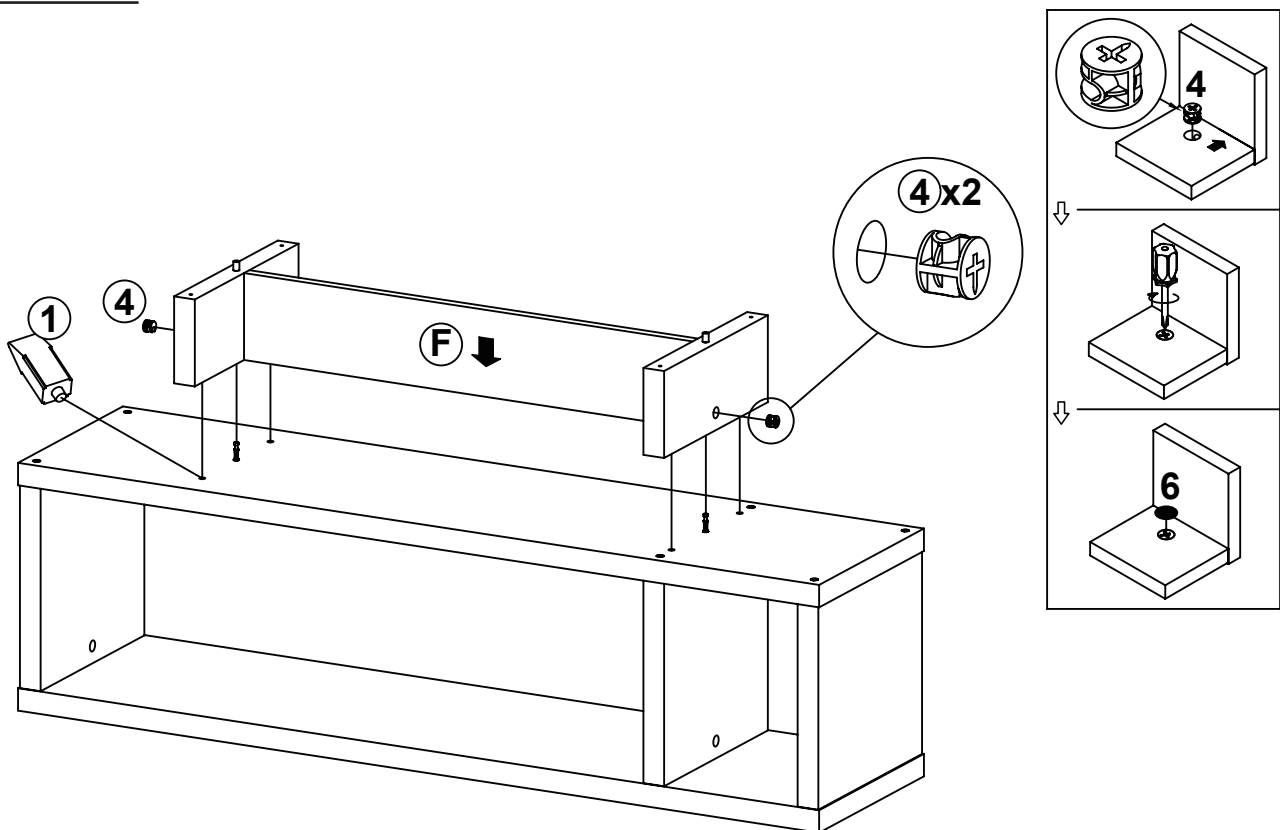


ITEM: 800307

STEP 4

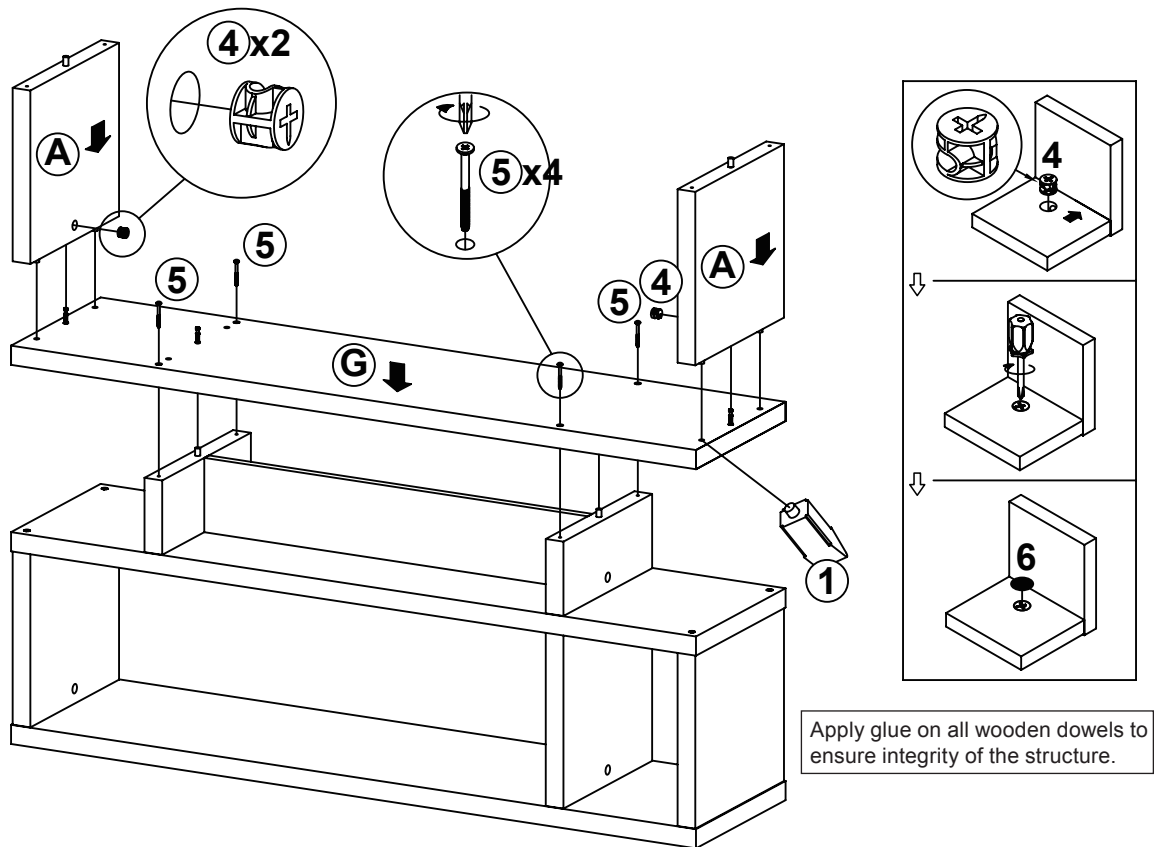


STEP 5

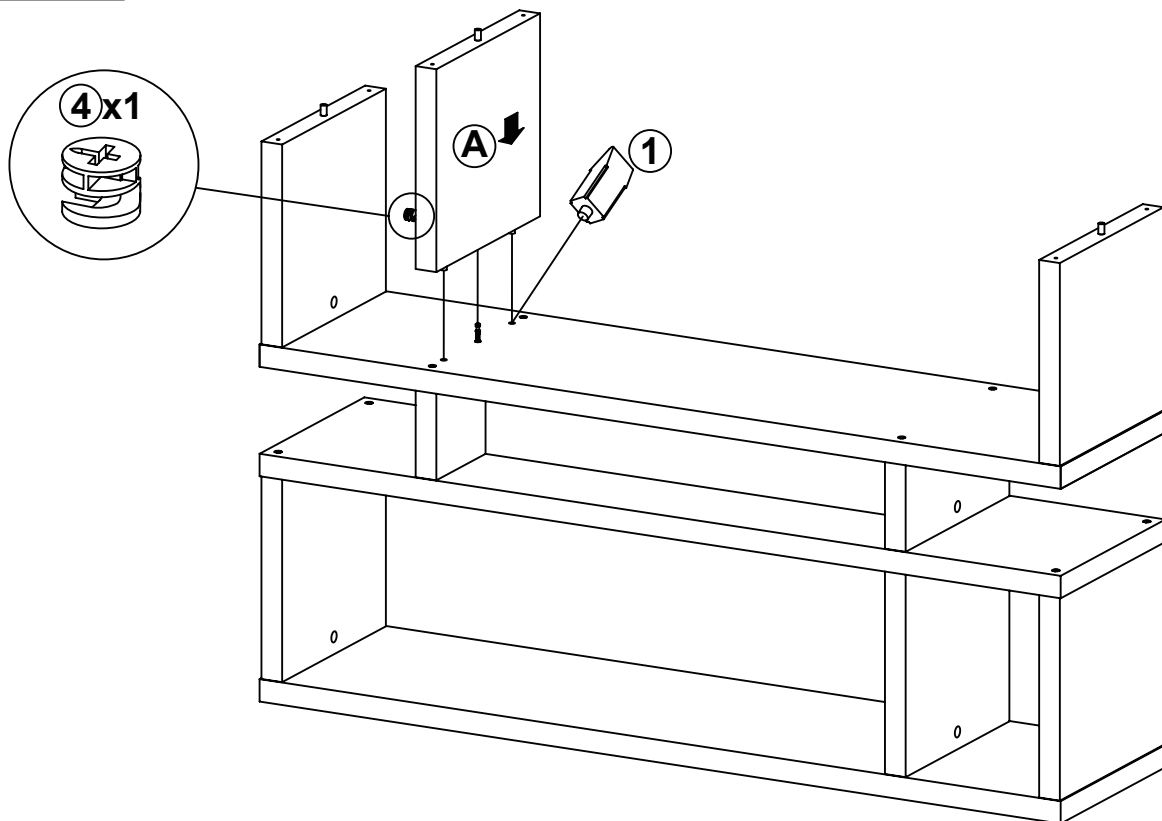


ITEM: 800307

STEP 6

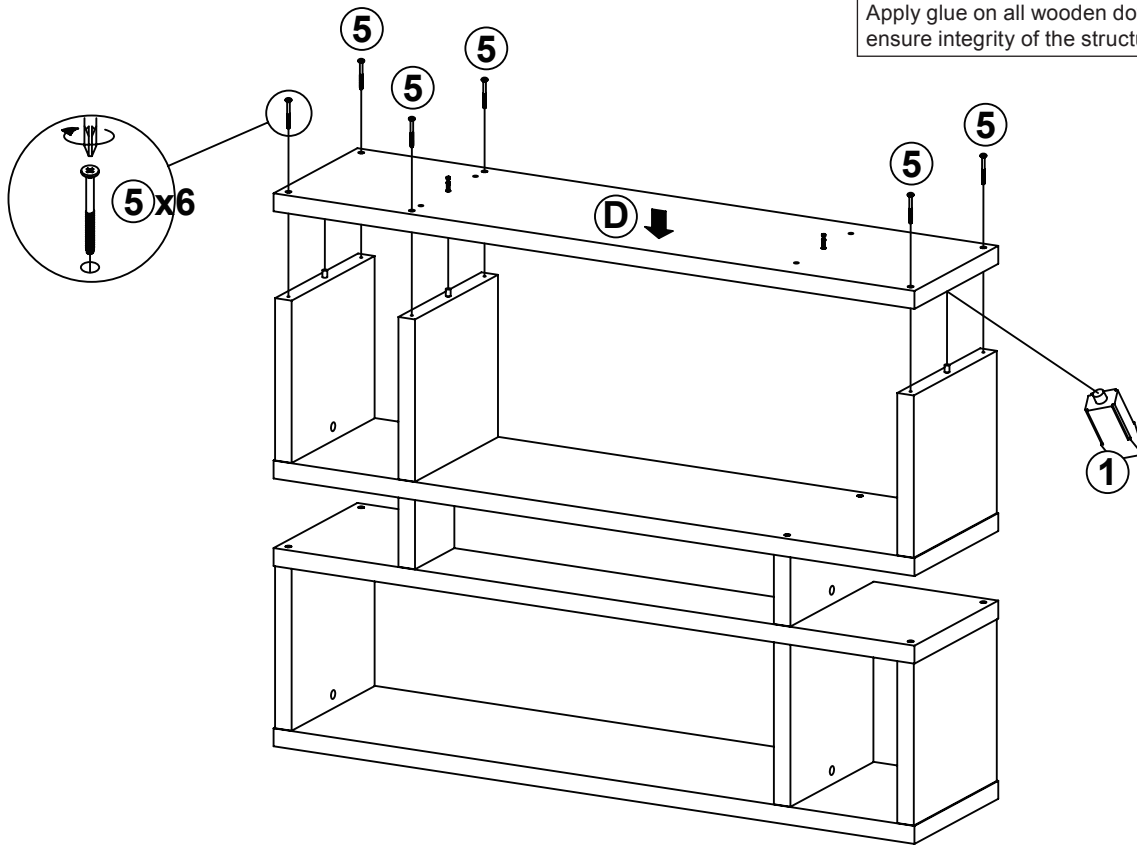


STEP 7

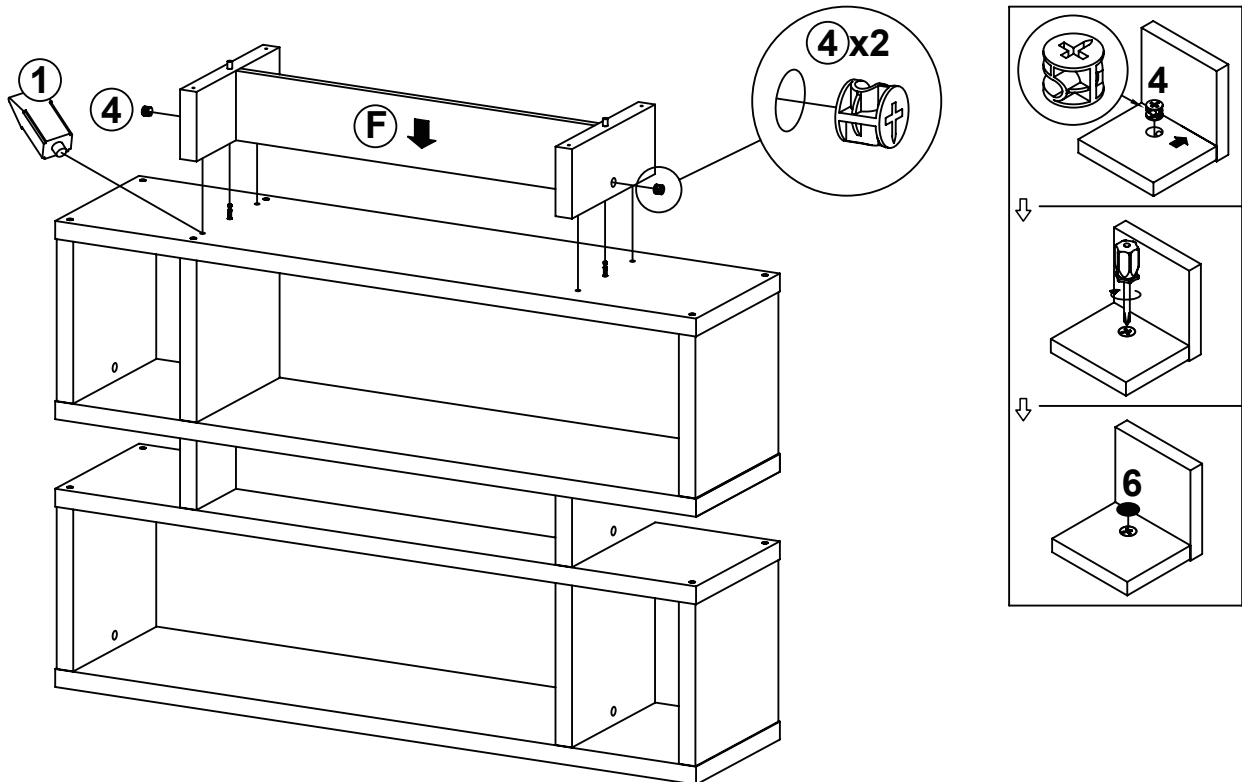


ITEM: 800307

STEP 8



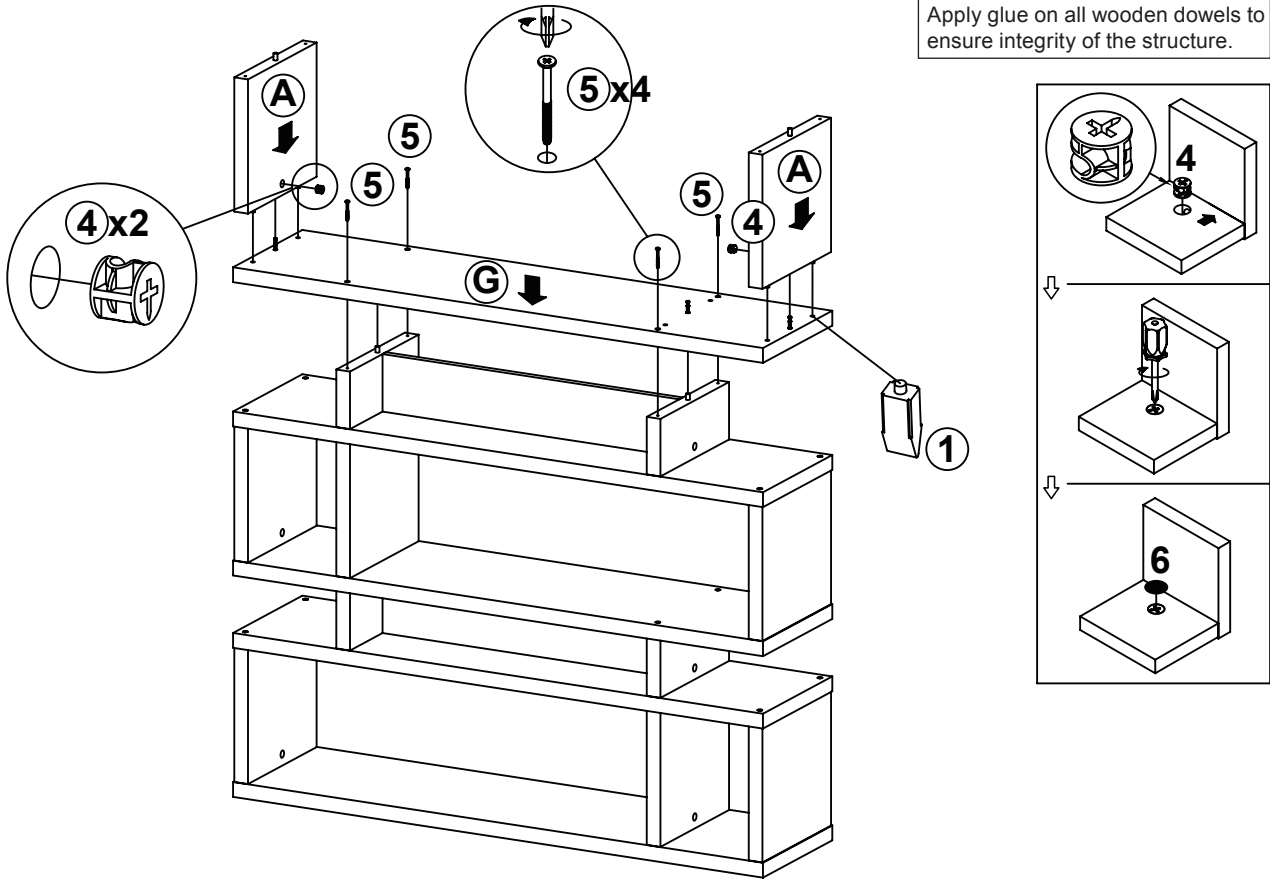
STEP 9



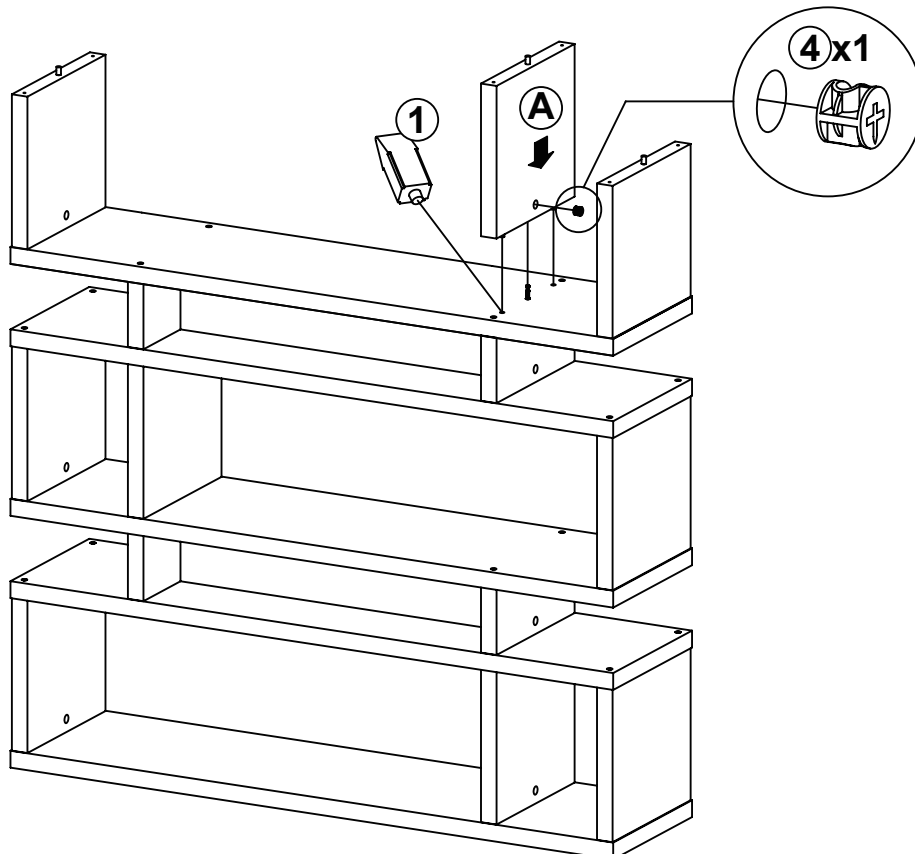
ITEM: 800307

STEP 10

Apply glue on all wooden dowels to ensure integrity of the structure.

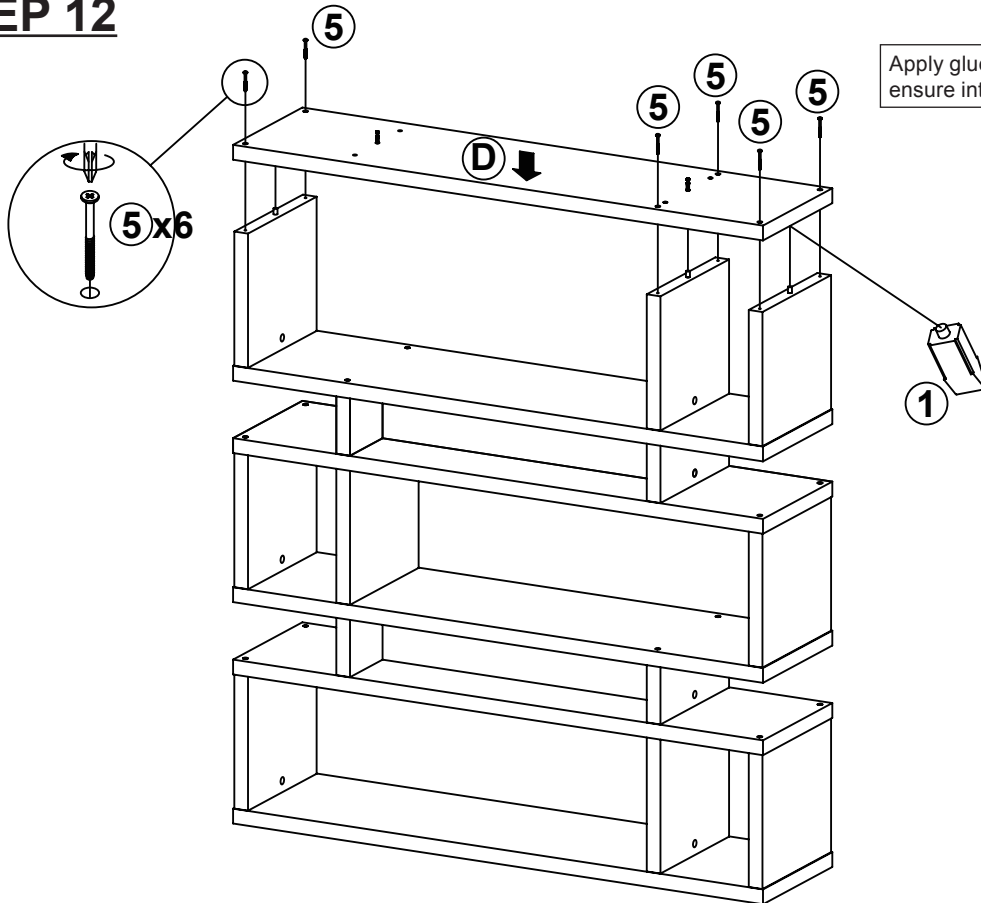


STEP 11

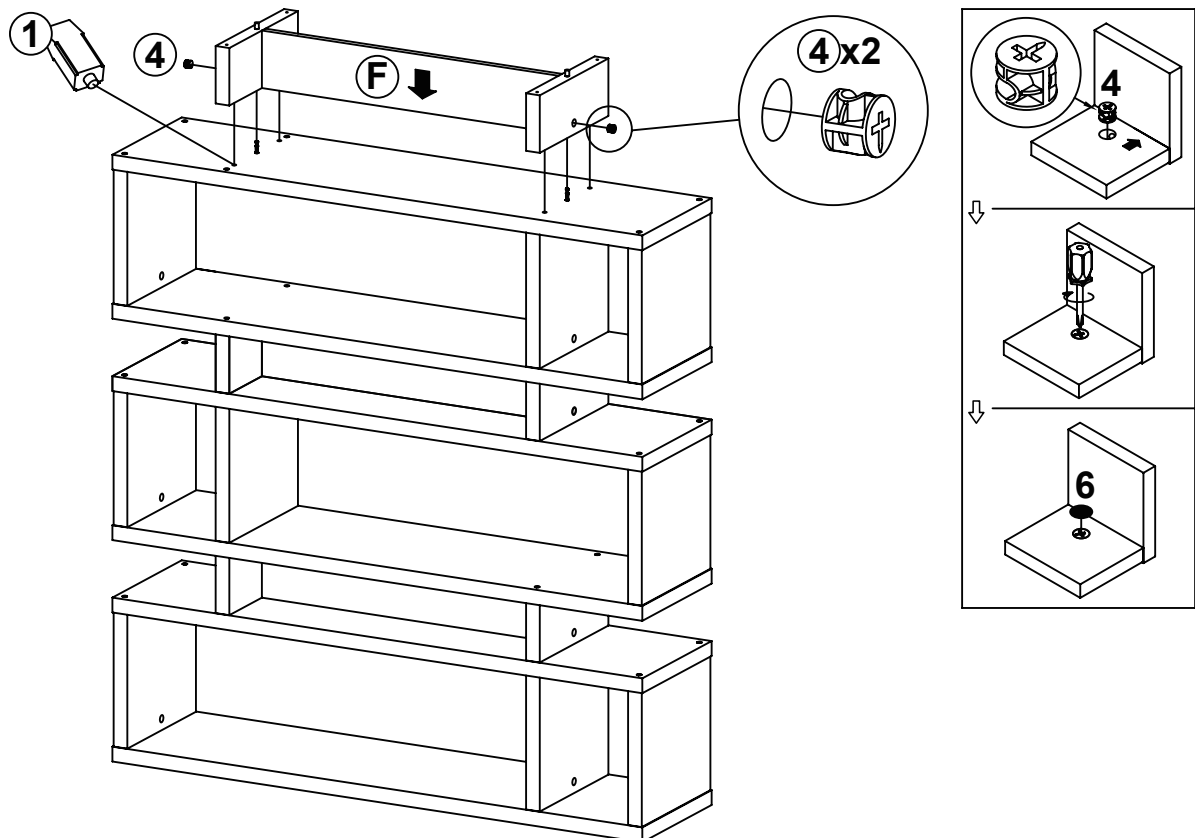


ITEM: 800307

STEP 12

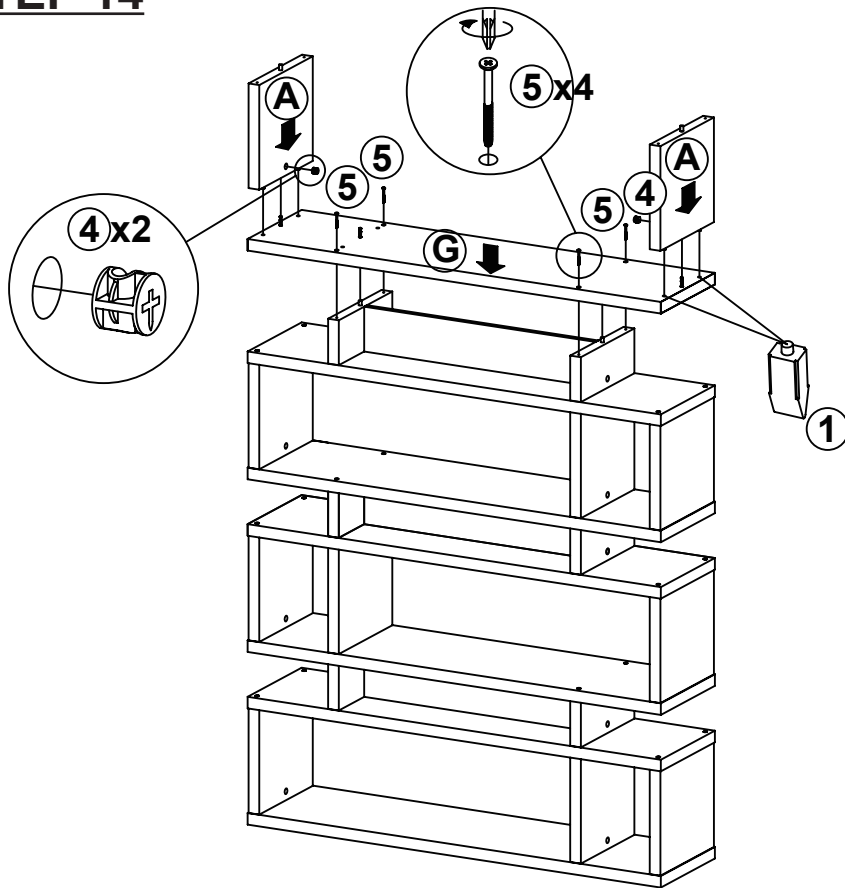


STEP 13

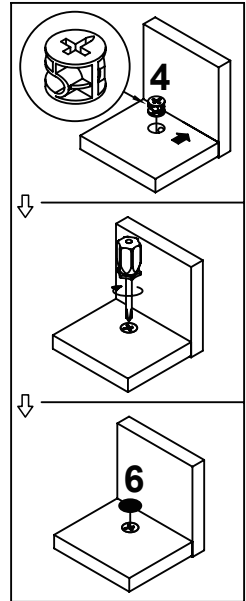


ITEM: 800307

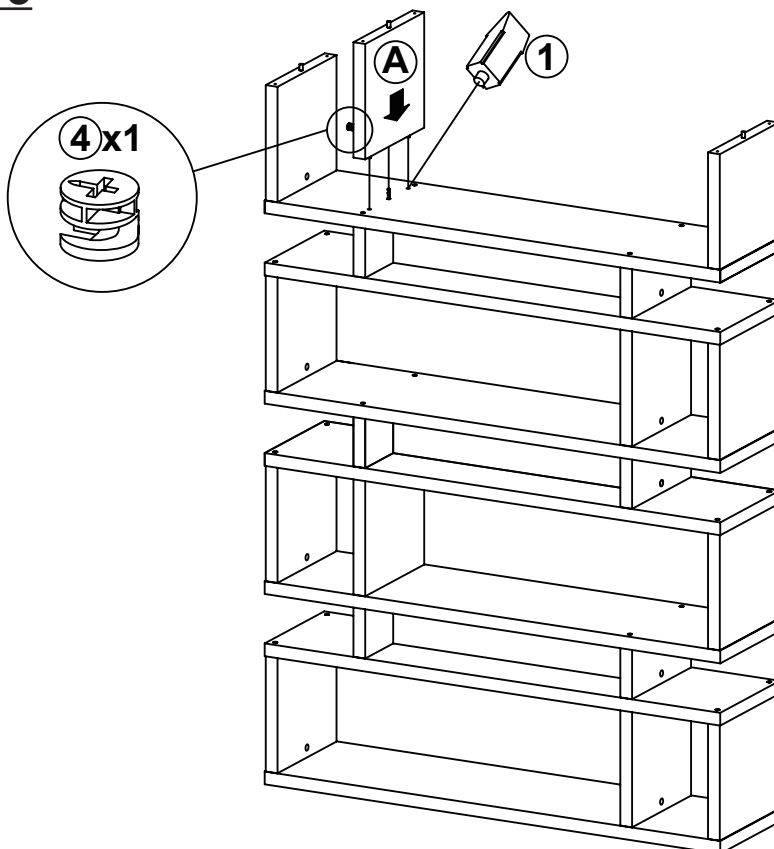
STEP 14



Apply glue on all wooden dowels to ensure integrity of the structure.

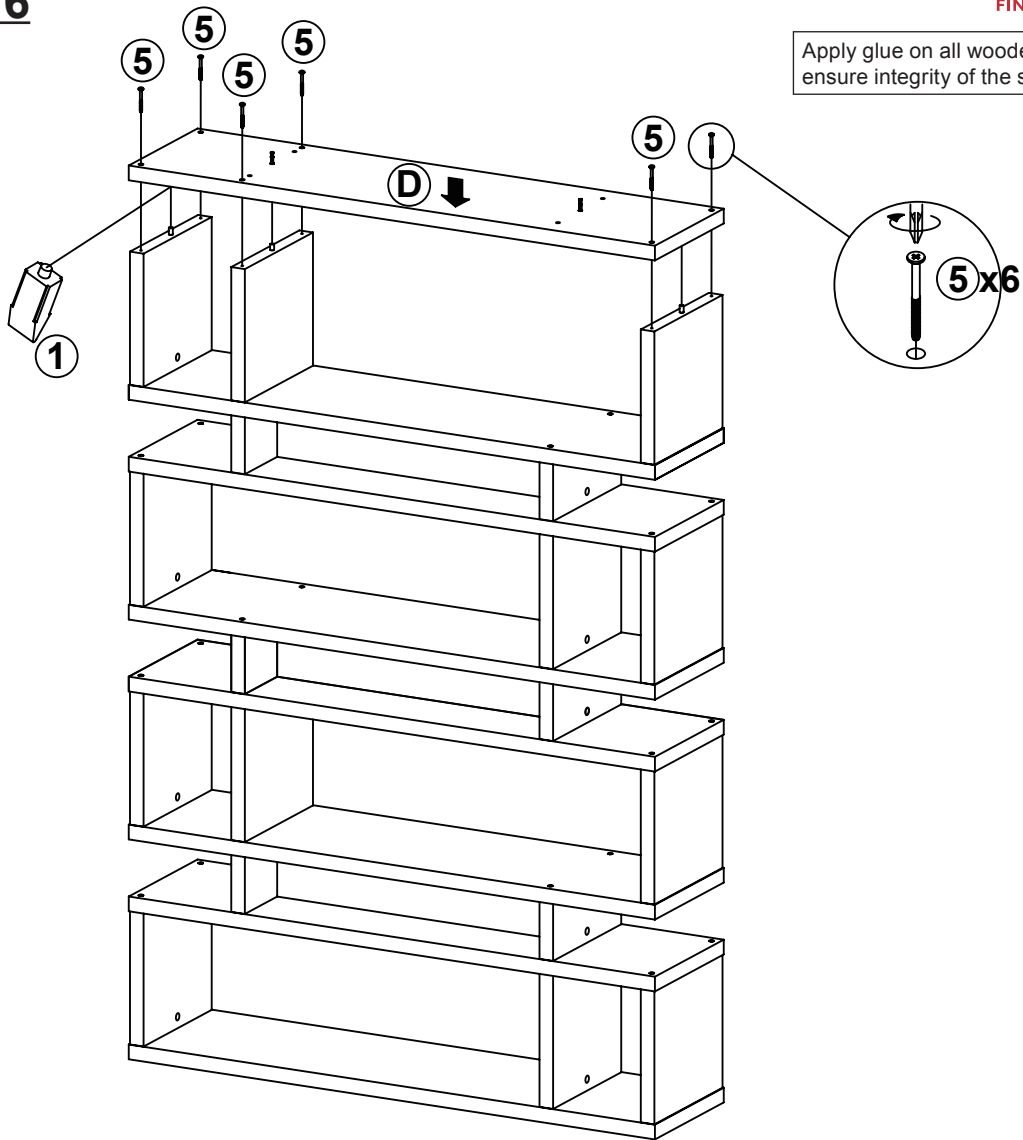


STEP 15

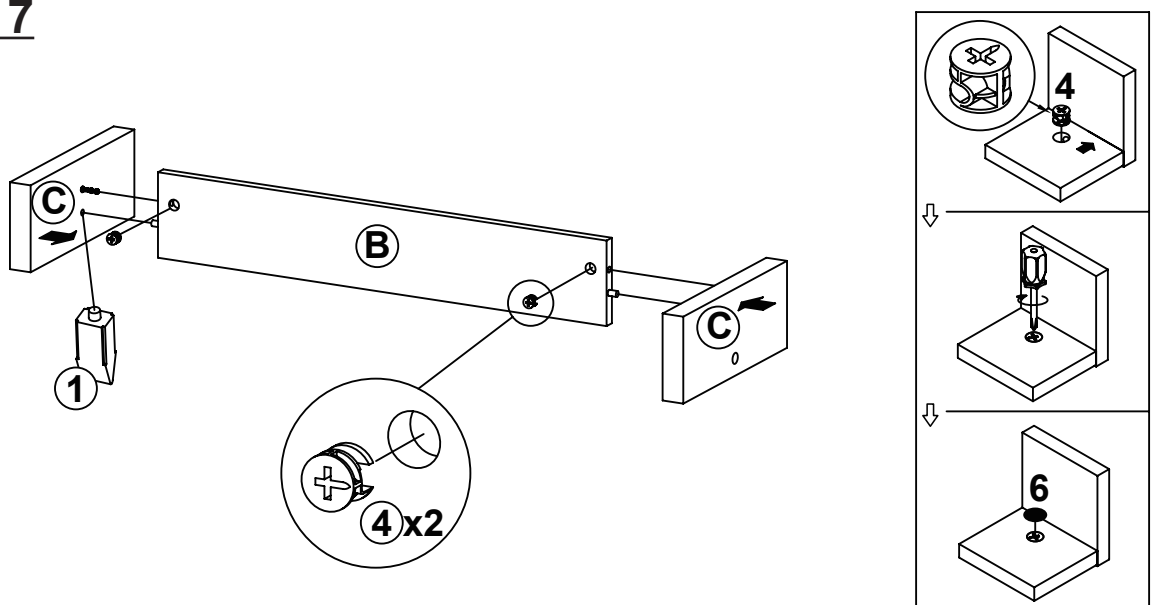


ITEM: 800307

STEP 16

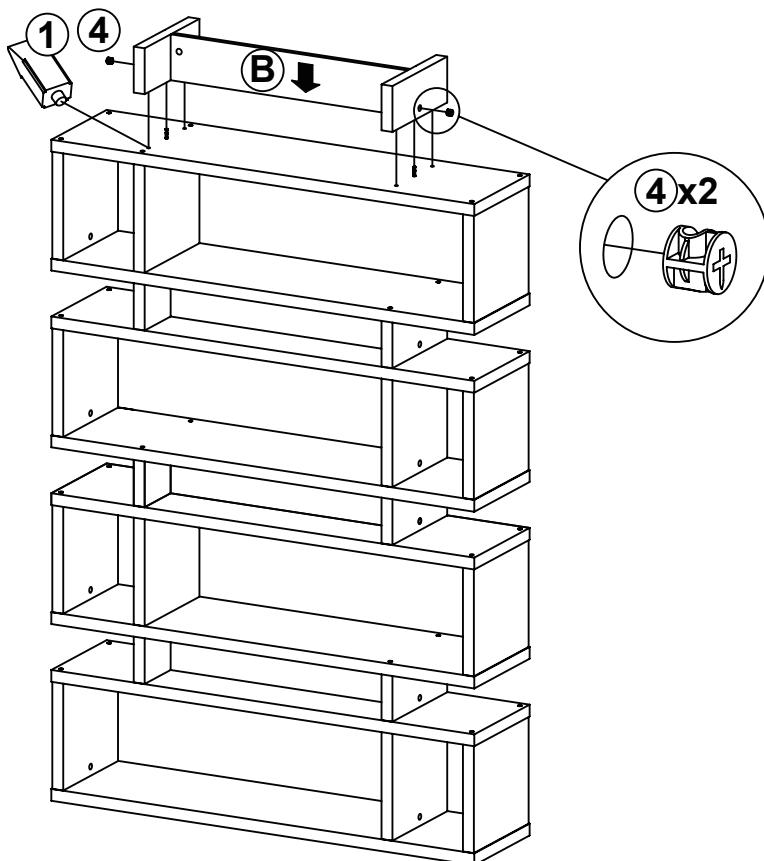


STEP 17

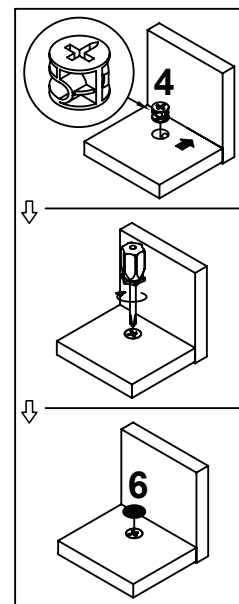


ITEM: **800307**

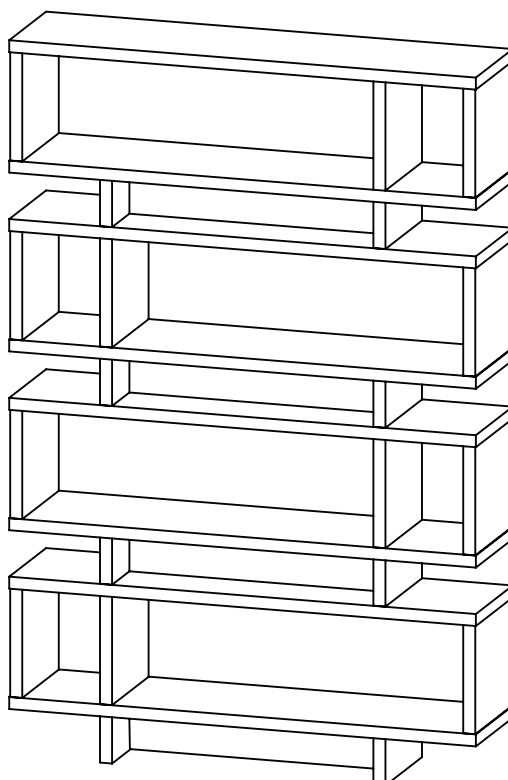
STEP 18

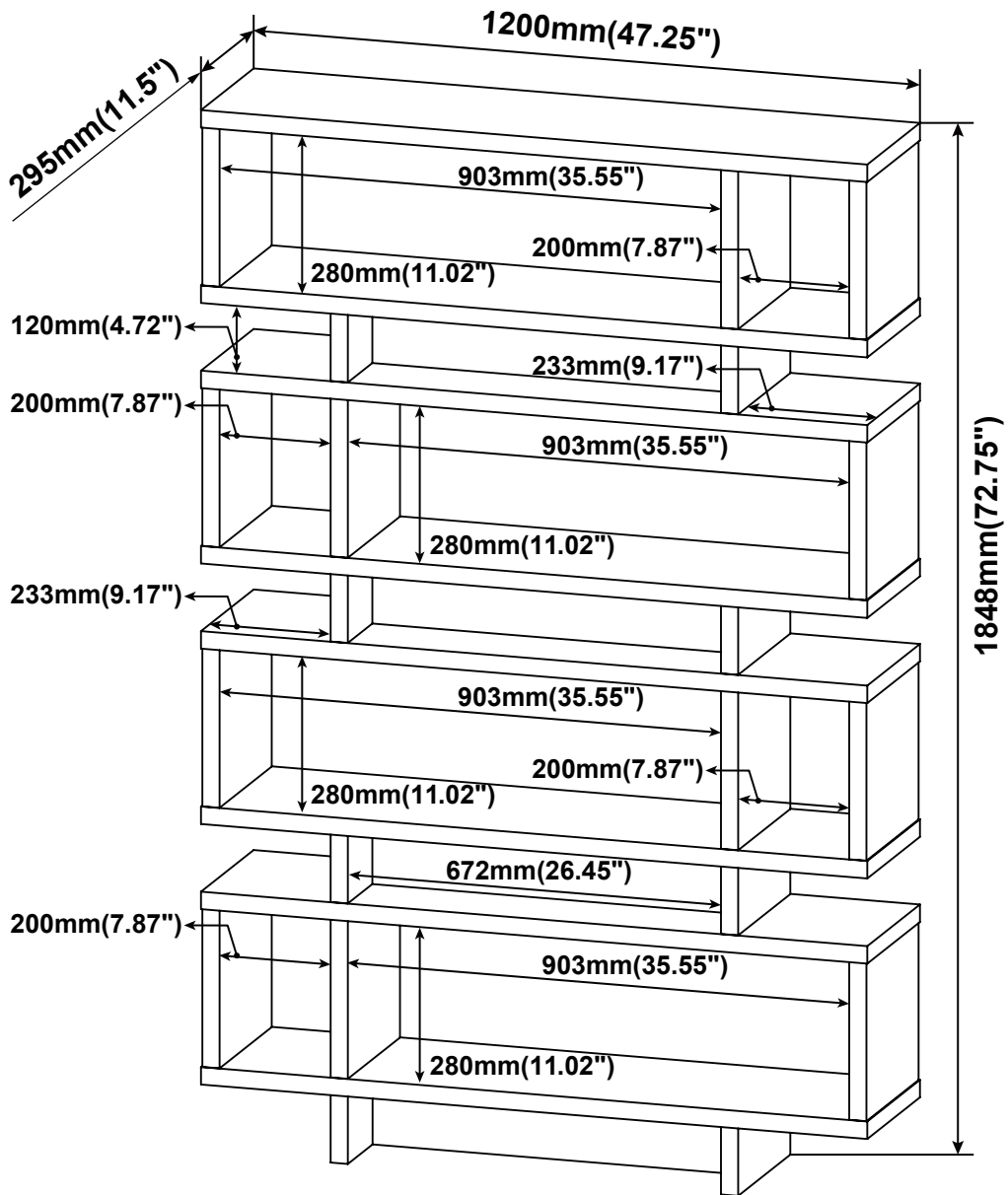


Apply glue on all wooden dowels to ensure integrity of the structure.



STEP 19
COMPLETE





Note : Dimension tolerance $\pm 5\%$

ANTI-TIPPING INSTALLMENT INSTRUCTIONS

FURNITURE TIPPING RESTRAINT

WARNING

Injury may result from tipping furniture.
This restraint may protect against tipping furniture.
Do not allow children to climb on furniture.
This restraint is not a substitute for proper adult supervision.
Failure to detach this restraint before moving the furniture
may result in injury and damage.

1. To attach the anti-tip strap, securely mount one end to the top of the case piece with the 5/8" screw.
2. Position the case piece against the wall in the desired location.
3. Pull the anti-tip strap taut and mark the position of where you will secure the other end on the wall.
4. Drill a 1-1/4" hole in the spot you marked.
5. Tap in plastic wall plug.
6. Fasten anti-tip strap with wall screw provided.

(Please install the anti-tipping kit in the middle of the case piece if only have one set of anti-tipping kit.)

