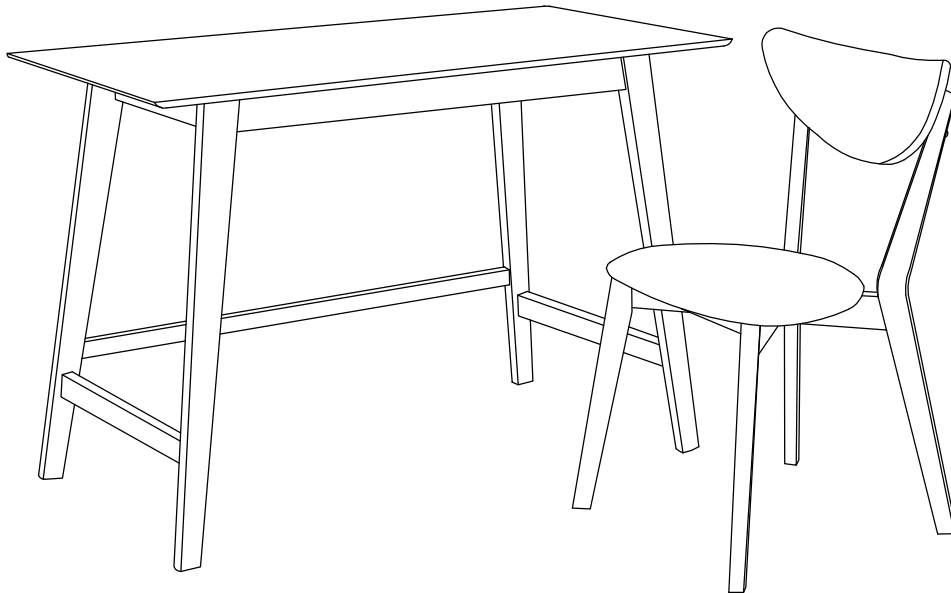




ASSEMBLY INSTRUCTIONS

COASTER FINE FURNITURE



Fine Furniture for every stage of life

801095
2Pc Desk Set

REVISION 0 : 11/17/2016
REVISION 1 : 04/22/2019
REVISION 2 : 02/02/2020

PAGE 1 OF 9

COASTERFURNITURE.COM

ITEM: 801095



ASSEMBLY INSTRUCTIONS

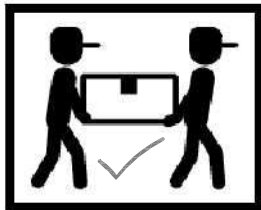
ASSEMBLY TIPS :

1. Remove hardware from box and sort by size.
2. Please check to see that all hardware and parts are present prior to start of assembly.
3. Please follow attached instructions in the same sequence as numbered to assure fast & easy assembly.



WARNING !

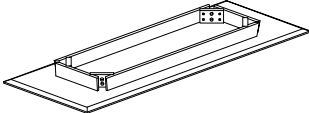
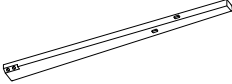
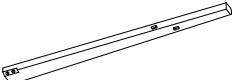



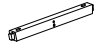


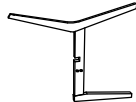
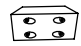

1. Don't attempt to repair or modify parts that are broken or defective. Please contact the store immediately.
2. This product is for home use only and not intended for commercial establishments.



ASSEMBLY TIME

45 MINUTES

PARTS IDENTIFICATION

A	DESK TOP		1PC
B	DESK LEG (WITH "B" LABEL)		1PC
C	DESK LEG (WITH "C" LABEL)		1PC
D	DESK LEG (WITH "D" LABEL)		1PC
E	DESK LEG (WITH "E" LABEL)		1PC
F	LONG TRESTLE BAR		1PC
G	SHORT TRESTLE BAR		2PCS
H	BACKREST		1PC
I	UPPER LEG FRAME		1PC
J	LOWER LEG FRAME		1PC
K	WOOD CLEAT		1PC
L	SEAT CUSHION		1PC

ITEM : 801095

ASSEMBLY INSTRUCTIONS



ASSEMBLY TIPS :

1. Remove hardware from box and sort by size.
2. Please check to see that all hardware and parts are present prior to start of assembly.
3. Please follow attached instructions in the same sequence as numbered to assure fast & easy assembly.






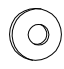




WARNING !








1. Don't attempt to repair or modify parts that are broken or defective. Please contact the store immediately.
2. This product is for home use only and not intended for commercial establishments.

HARDWARE IDENTIFICATION

DESK

1	ALLEN WRENCH (M4 x 110MM - BLK)		1PC
2	LONG BOLT (M6 x 70MM - RBW)		8PCS
3	SHORT BOLT (M6 x 50MM - RBW)		2PCS
4	SMALL LOCK WASHER (1/4" - BLK)		2PCS
5	BIG LOCK WASHER (5/16" - RBW)		8PCS
6	SMALL FLAT WASHER (M6 x 13MM - RBW)		2PCS
7	BIG FLAT WASHER (5/16" - RBW)		8PCS
8	PAN HEAD SCREW (#8 x 1 1/2" - BLK)		4PCS

CHAIR

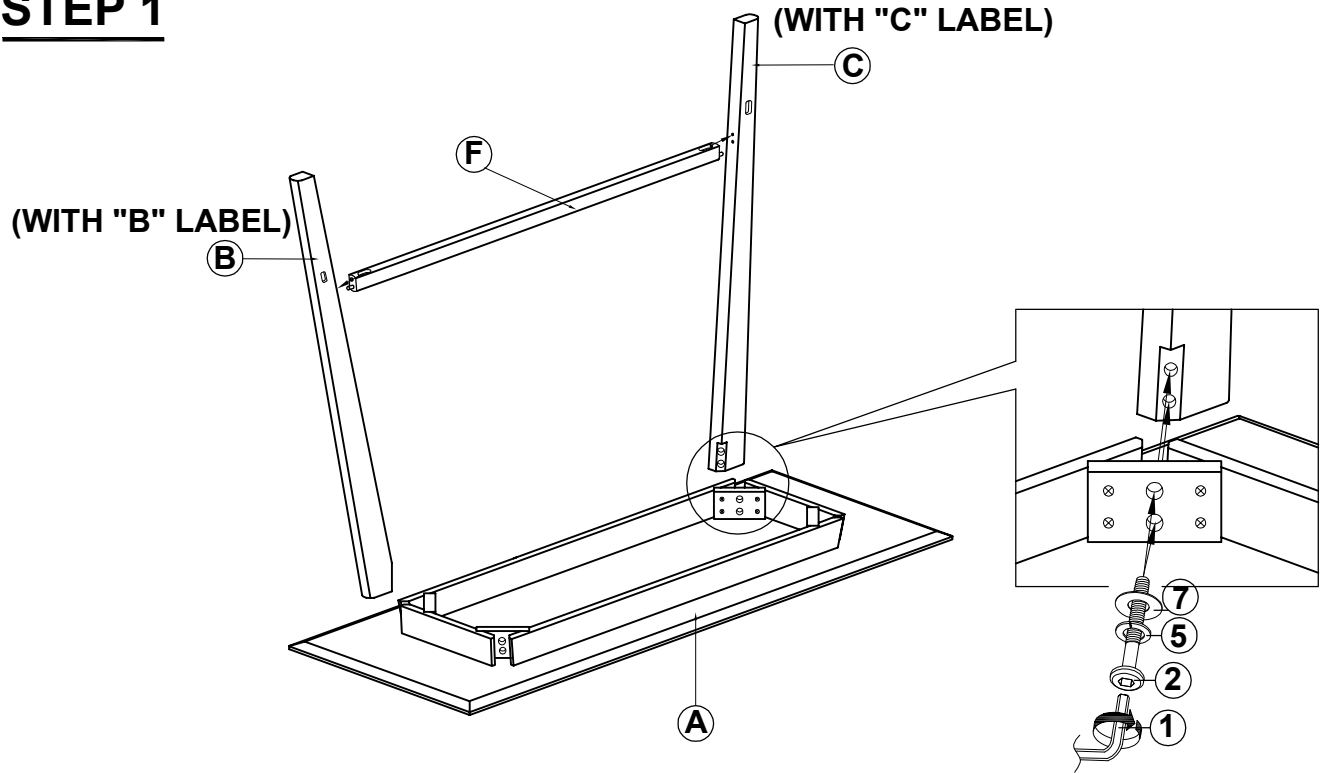
9	LONG BOLT (M6 x 60mm - RBW)		4PCS
10	MEDIUM BOLT (M6 x 35mm - RBW)		4PCS
11	SHORT BOLT (M6 x 25mm - RBW)		4PCS
12	LOCK WASHER (1/4" - BLK)		8PCS
13	FLAT WASHER (M6 x 13MM - RBW)		4PCS
14	BOLT (M7 x 50MM - ZB)		1PC
15	WOOD PLUG (Ø14.5 x 9MM)		4PCS

ITEM: **801095**

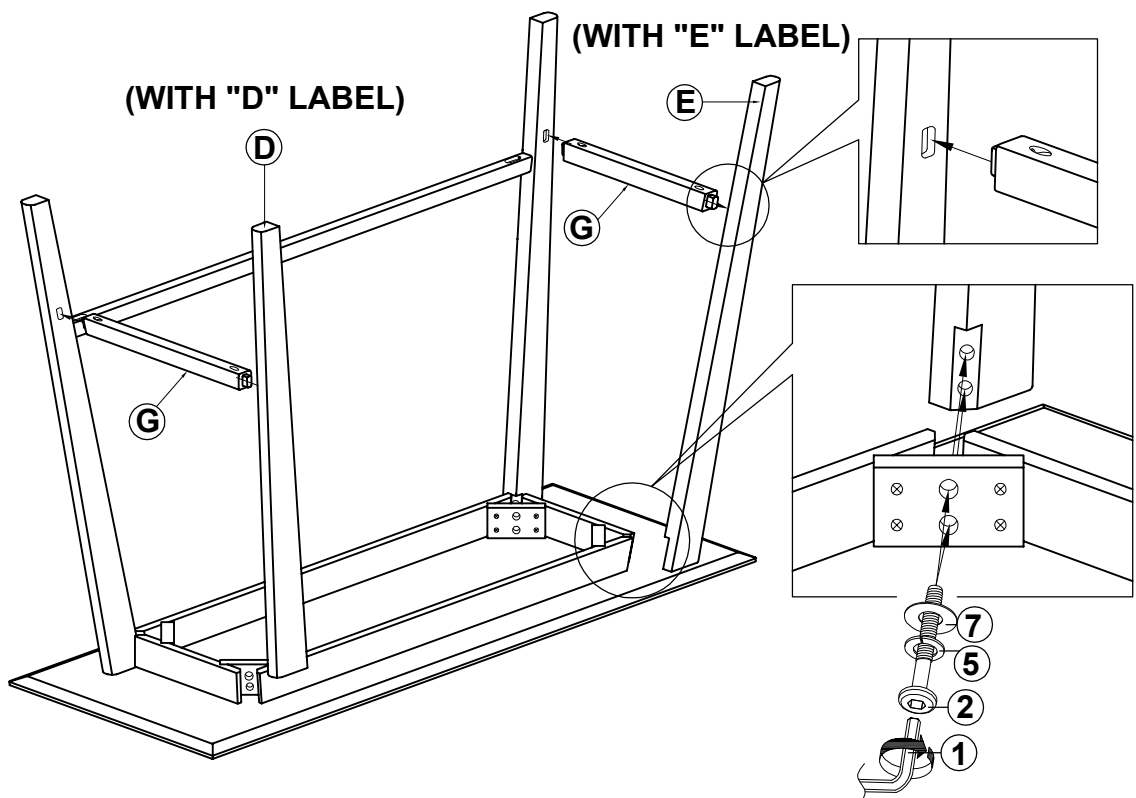
ASSEMBLY INSTRUCTIONS

DESK

STEP 1



STEP 2

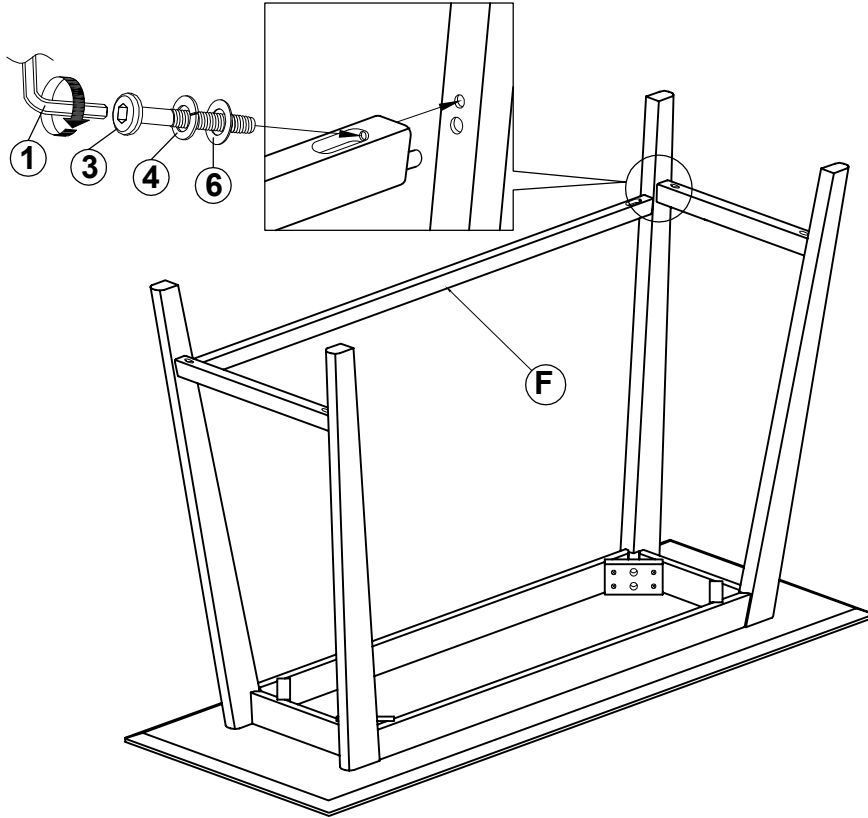


ITEM: **801095**

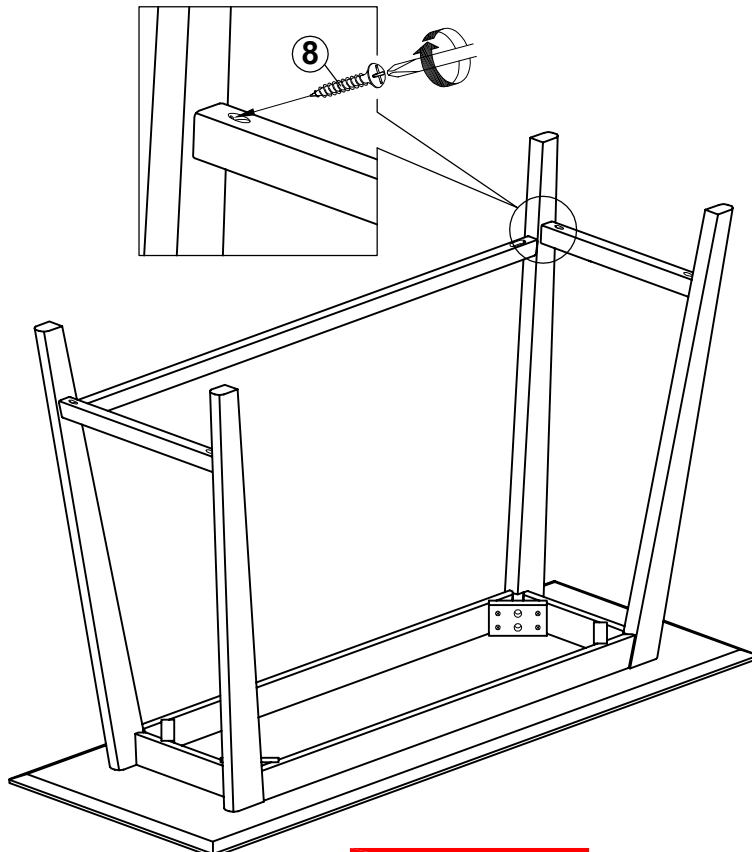


ASSEMBLY INSTRUCTIONS

STEP 3



STEP 4

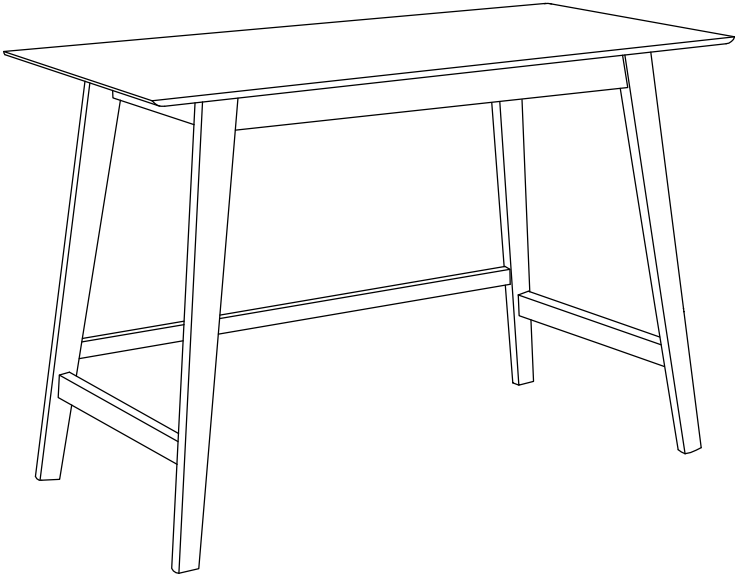


ITEM: **801095**

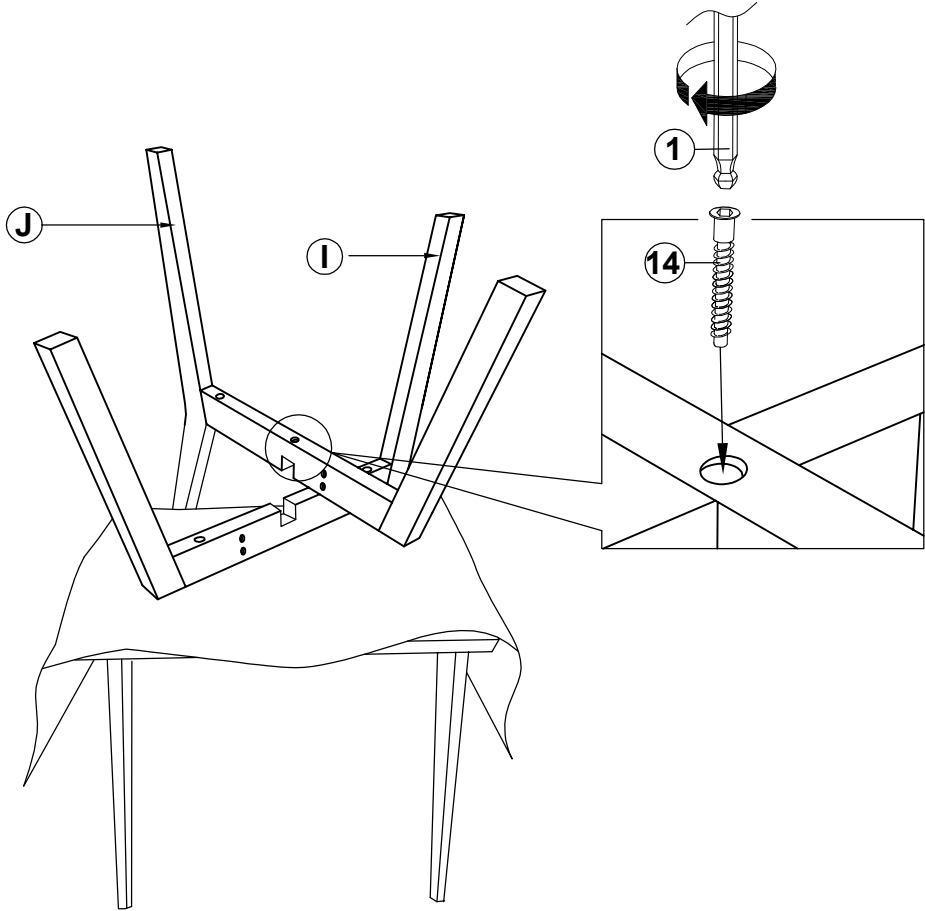
ASSEMBLY INSTRUCTIONS

STEP 5

COMPLETE



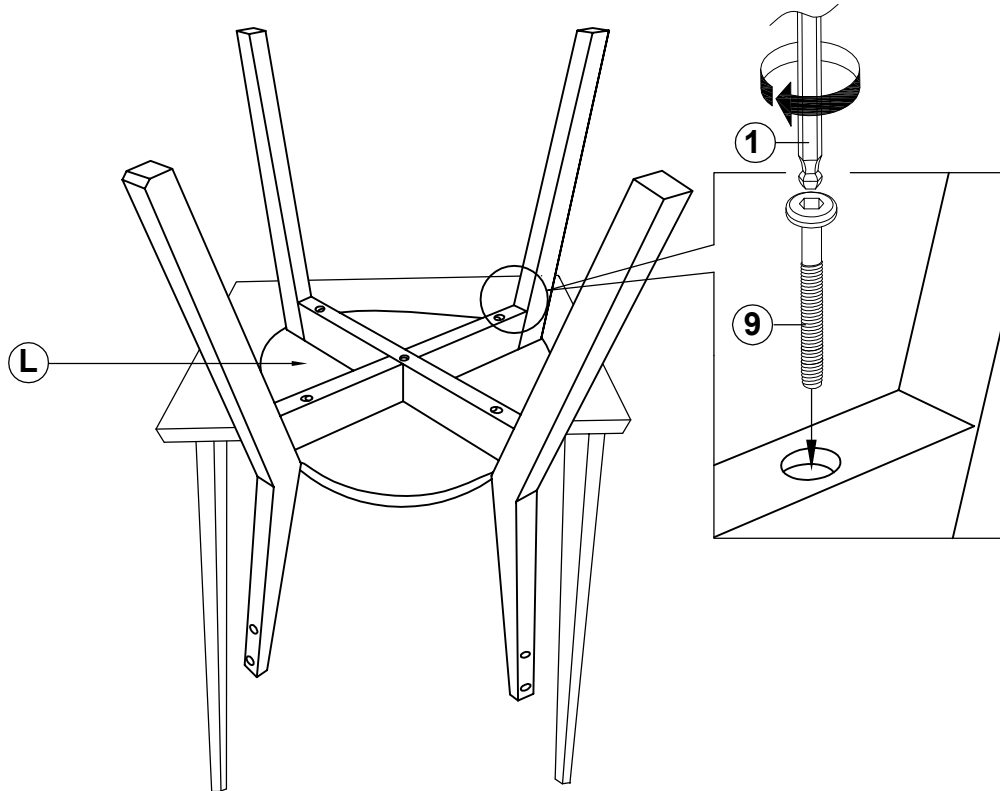
CHAIR
STEP 6



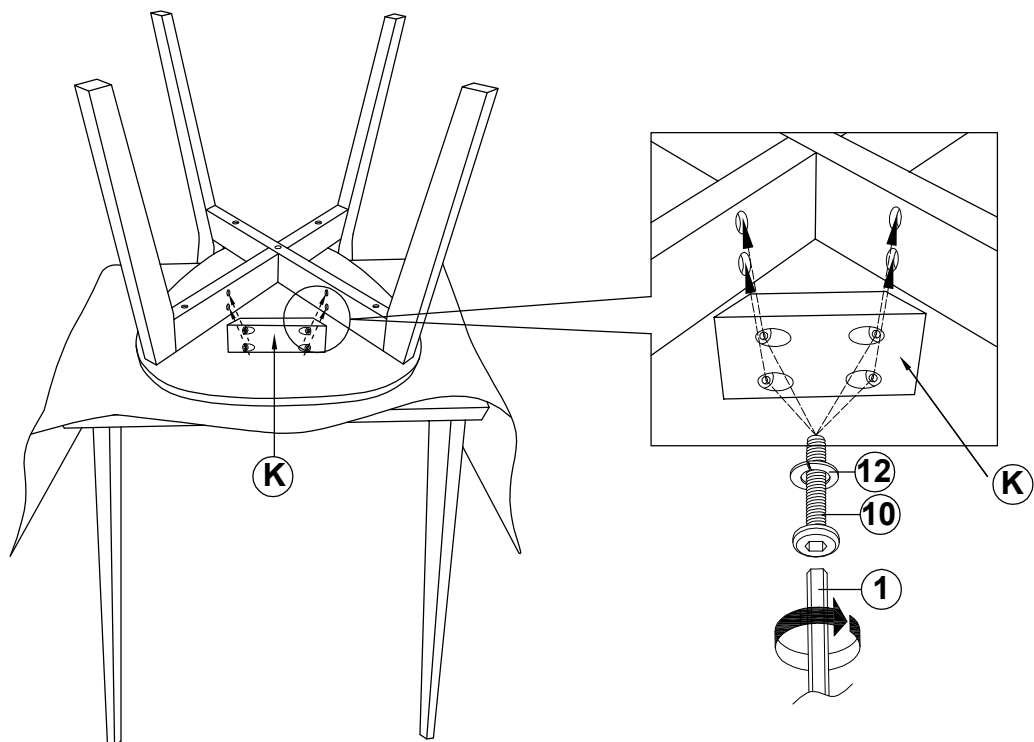
ITEM: **801095**

ASSEMBLY INSTRUCTIONS

STEP 7



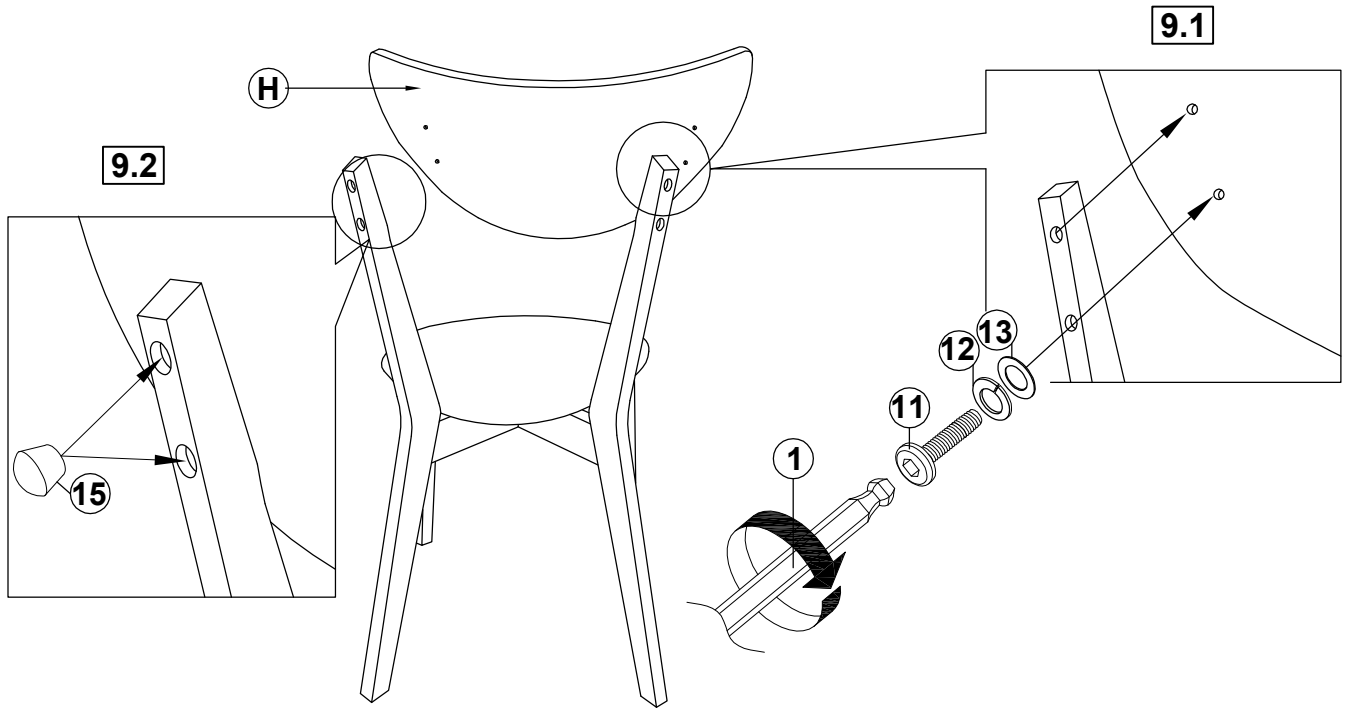
STEP 8



ITEM: **801095**

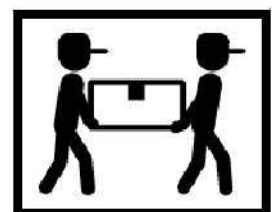
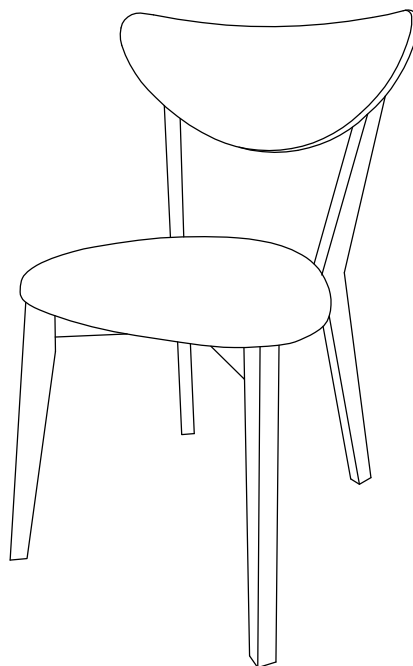
ASSEMBLY INSTRUCTIONS

STEP 9

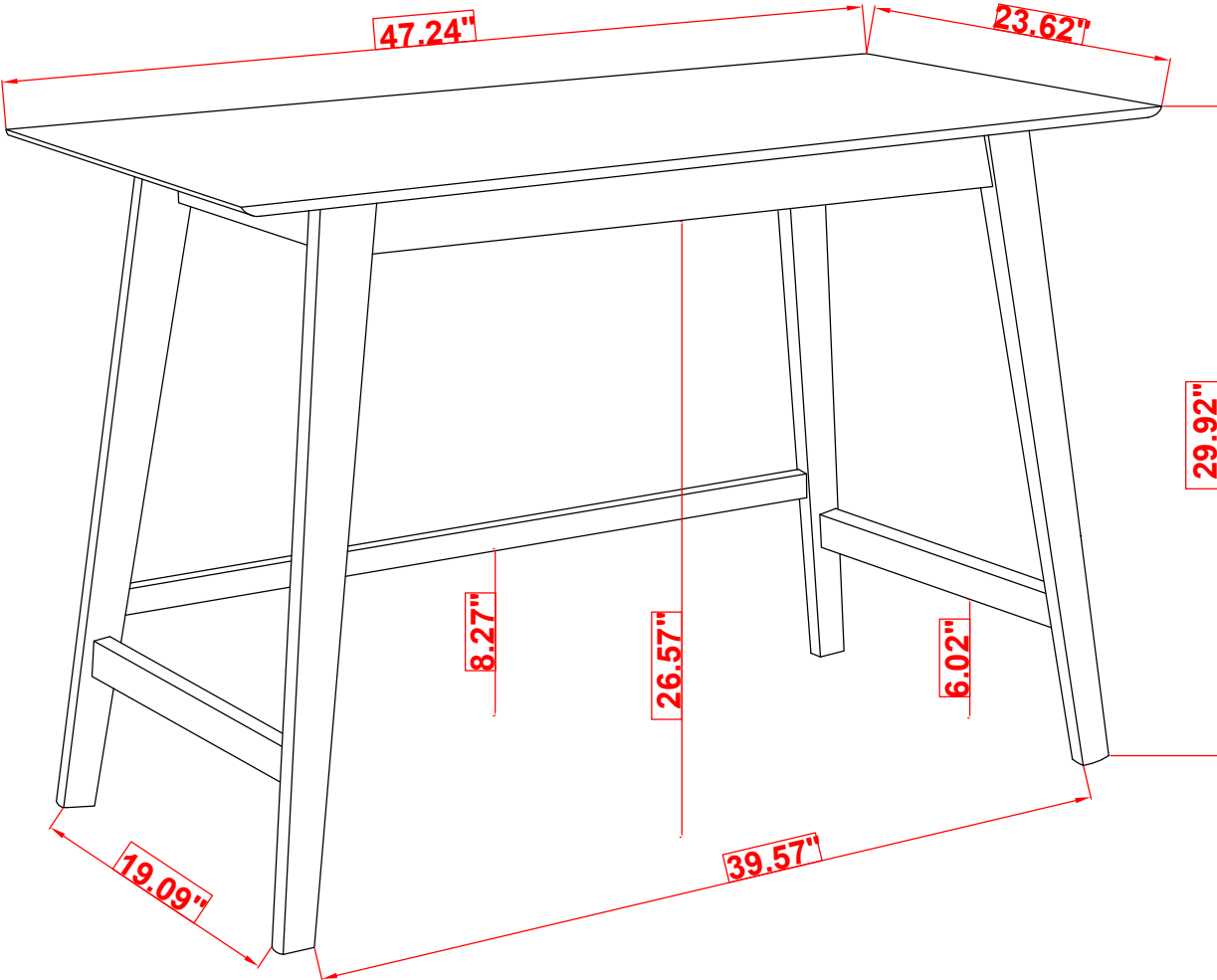


STEP 10

COMPLETE

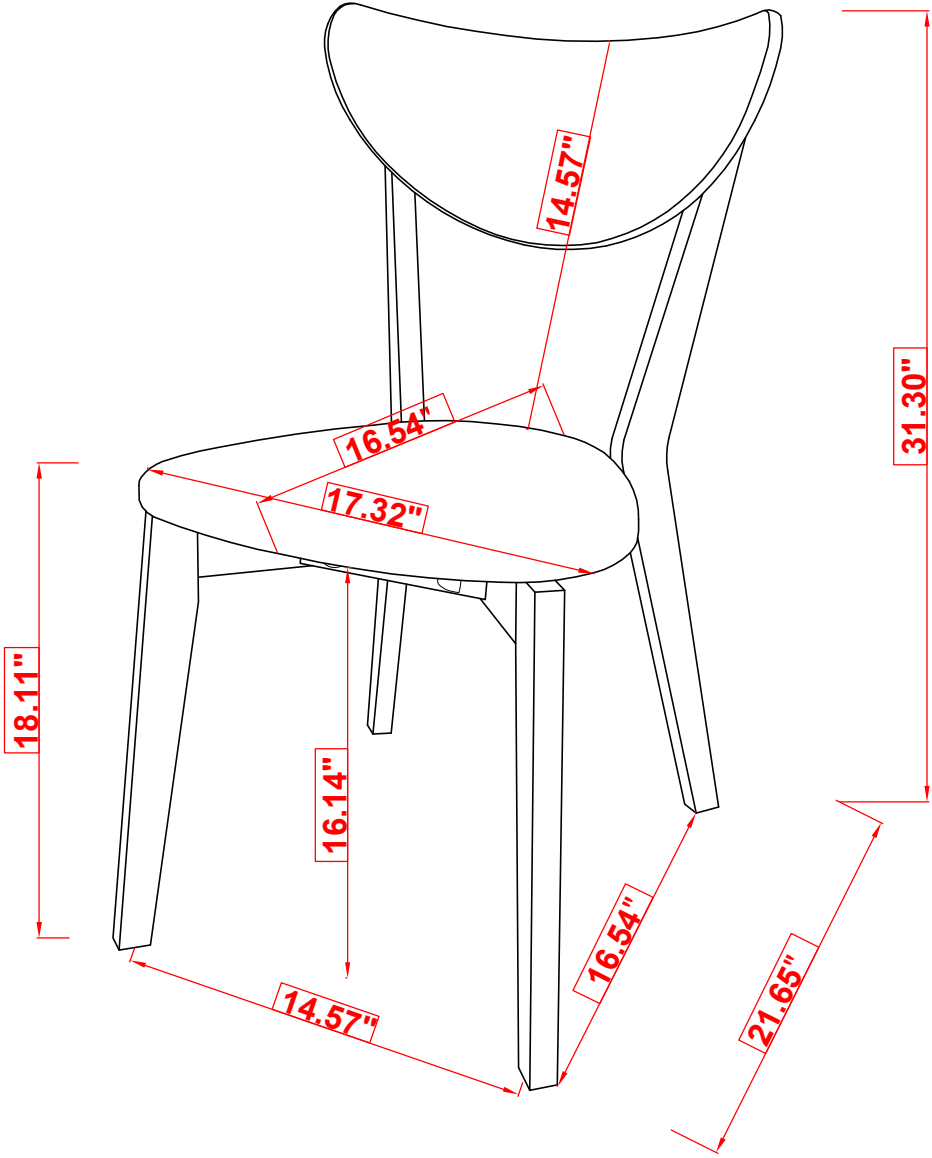


ITEM : 801095



Note : Dimension tolerance ±5%

ITEM : 801095



Note : Dimension tolerance $\pm 5\%$