

ASSEMBLY INSTRUCTIONS
COASTER FINE FURNITURE



Fine Furniture for every stage of life

708057
END TABLE

REVISION 0 : 09/27/2017
REVISION 1 : 05/17/2019
REVISION 2 : 08/16/2019

ITEM:708057



ASSEMBLY INSTRUCTIONS

ASSEMBLY TIPS:

1. Remove hardware from box and sort by size.
2. Please check to see that all hardware and parts are present prior to start of assembly.
3. Please follow attached instructions in the same sequence as numbered to assure fast & easy assembly.



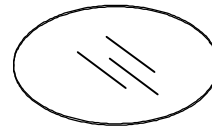
WARNING!

1. Don't attempt to repair or modify parts that are broken or defective. Please contact the store immediately.
2. This product is for home use only and not intended for commercial establishments.

ASSEMBLY TIME 30 MINUTES

PARTS IDENTIFICATION

A TOP GLASS



1PC

B SIDE FRAME



4PCS

HARDWARE IDENTIFICATION

1 SCREW
(3/16" x 12mm GD)



4PCS

2 BOLT
(1/4" x 12mm GD)



4PCS

3 SUCTION CUP
(ø 8mm)



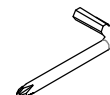
4PCS

4 LEVELER
(1/4" x 12mm BLK)



4PCS

5 ALLEN WRENCH
(4mm)



1PC

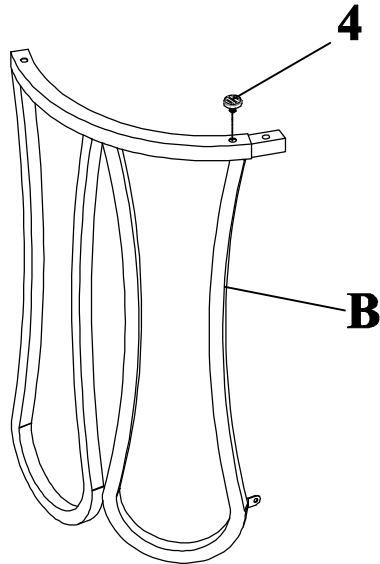
ITEM: 708057

ASSEMBLY INSTRUCTIONS

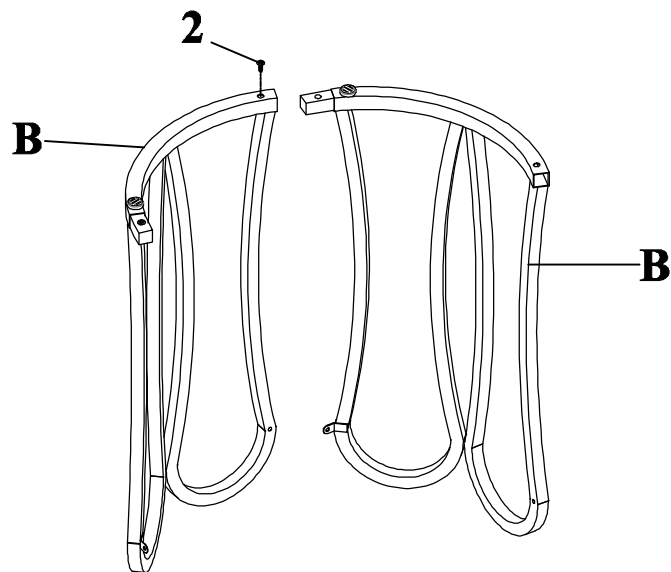


STEP 1

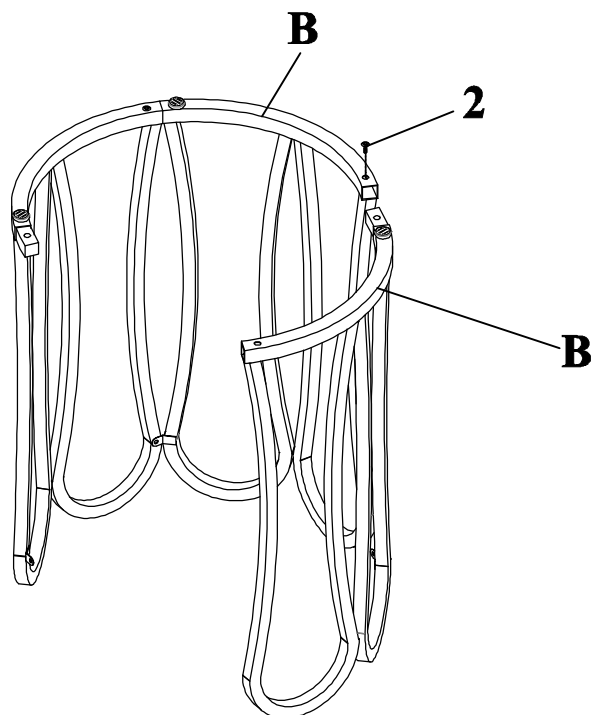
Do not tighten until each step is completed or instructed.



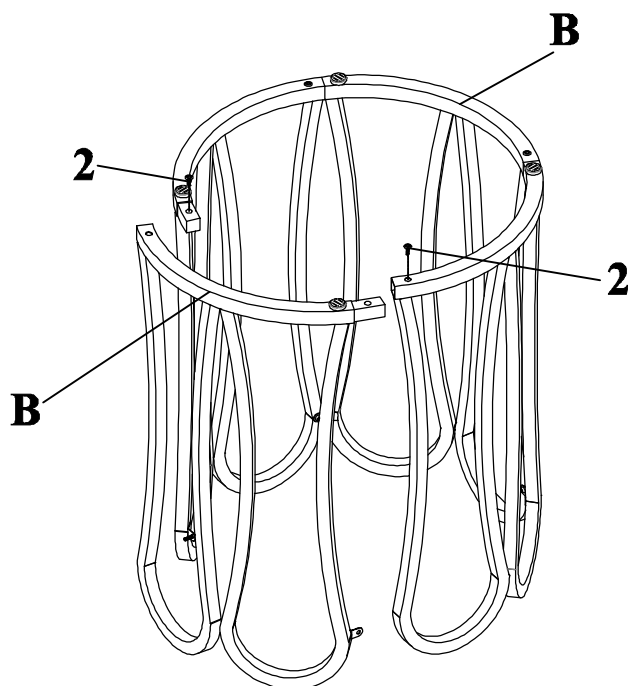
STEP 2



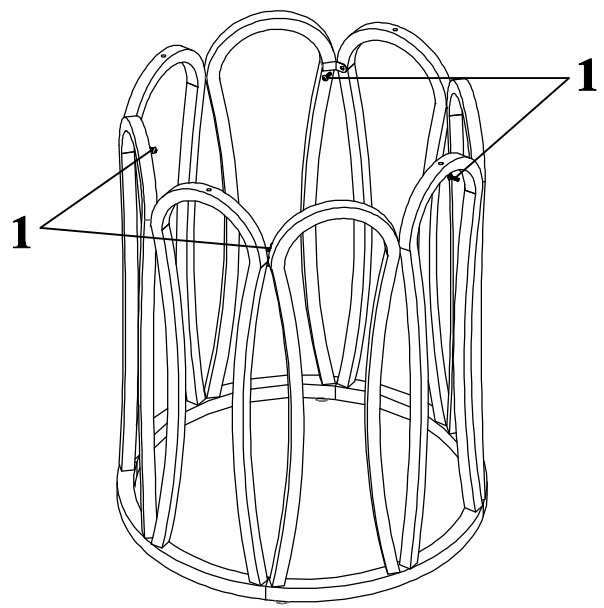
ITEM: 708057
ASSEMBLY INSTRUCTIONS
STEP 3



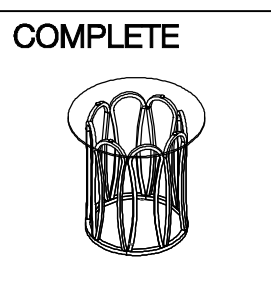
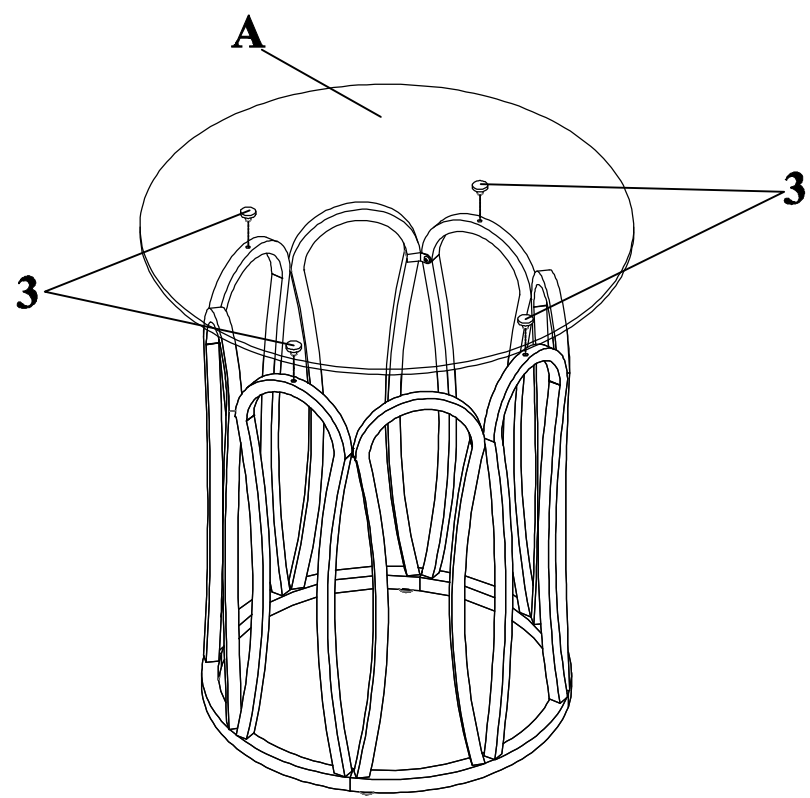
STEP 4



ITEM: 708057
ASSEMBLY INSTRUCTIONS
STEP 5



STEP 6

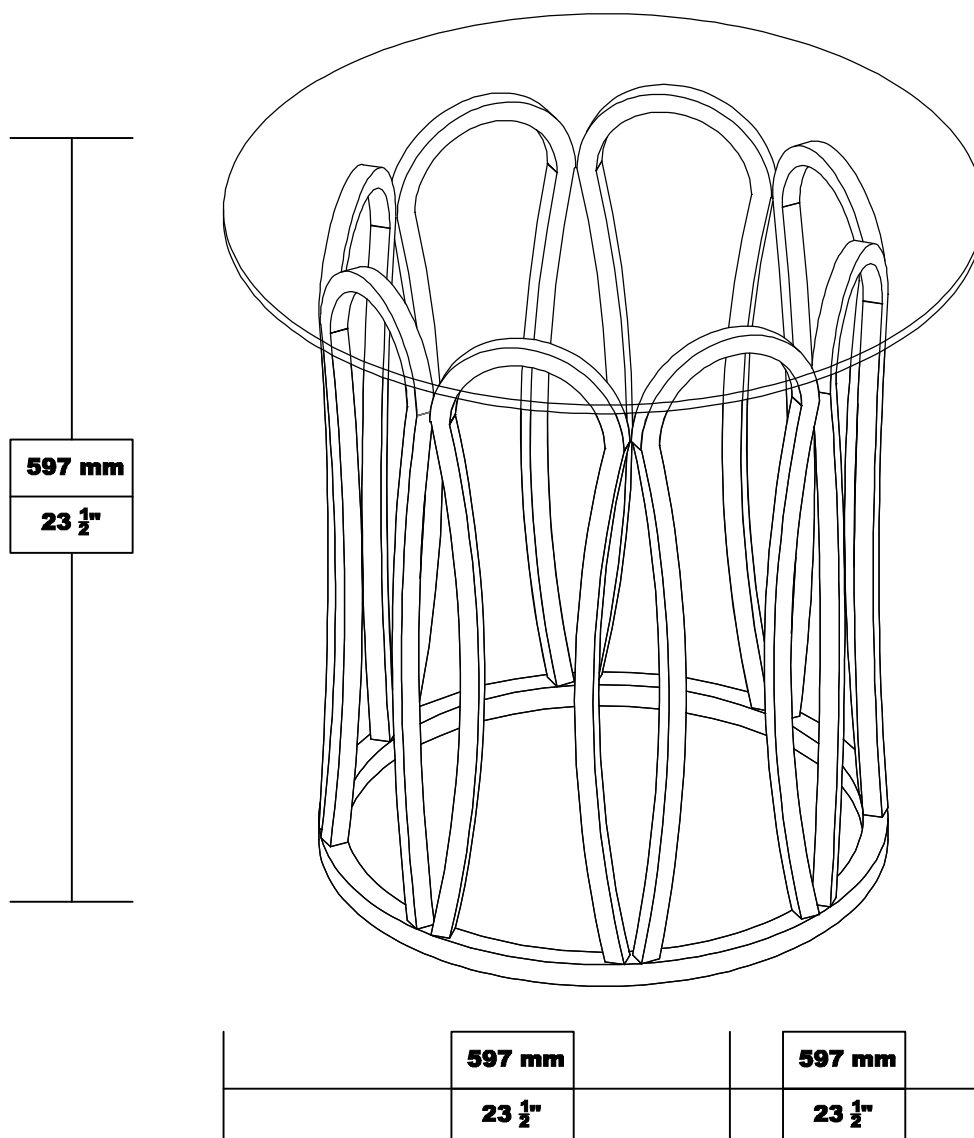


ITEM: 708057 ASSEMBLY INSTRUCTIONS



Product Size : 597 DIA X 597 H (MM)

Product Size : 23 1/2" DIA X 23 1/2"



Note : Dimension tolerance $\pm 5\%$