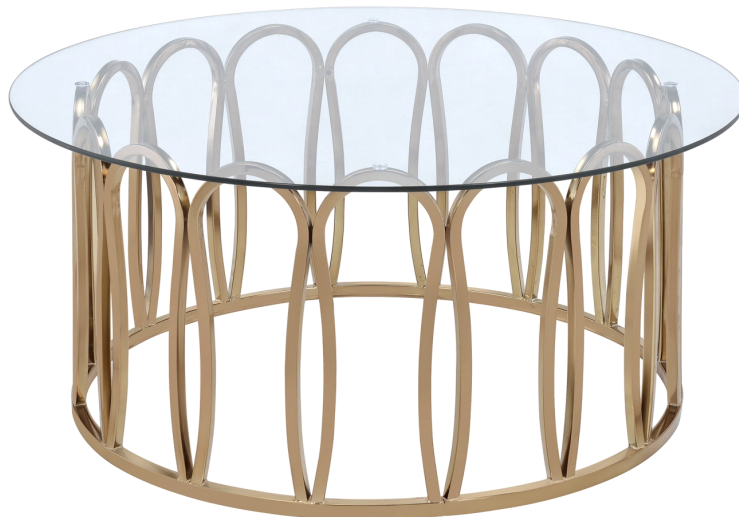


ASSEMBLY INSTRUCTIONS
COASTER FINE FURNITURE



Fine Furniture for every stage of life

708058
COFFEE TABLE

REVISION 0 : 09/12/2017
REVISION 1 : 05/17/2019
REVISION 2 : 08/16/2019

ITEM:708058



ASSEMBLY INSTRUCTIONS

ASSEMBLY TIPS:

1. Remove hardware from box and sort by size.
2. Please check to see that all hardware and parts are present prior to start of assembly.
3. Please follow attached instructions in the same sequence as numbered to assure fast & easy assembly.



WARNING!

1. Don't attempt to repair or modify parts that are broken or defective. Please contact the store immediately.
2. This product is for home use only and not intended for commercial establishments.



ASSEMBLY TIME 30 MINUTES

PARTS IDENTIFICATION

B2 : TOP

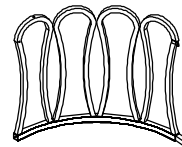
A TOP GLASS



1PC

B1 : BASE

B SIDE FRAME



4PCS

HARDWARE IDENTIFICATION

HARDWARE PACK IS LOCATED IN 460183 (B1)

1 SCREW
(3/16" x 12mm GD)



4PCS

4 LEVELER
(1/4" x 12mm BLK)



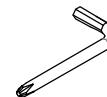
4PCS

2 BOLT
(1/4" x 12mm GD)



4PCS

5 ALLEN WRENCH
(4mm)



1PC

3 SUCTION CUP
(ϕ 8mm)



4PCS

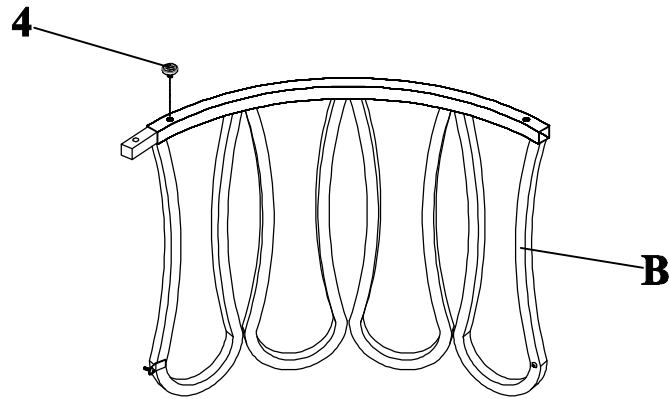
ITEM: 708058

ASSEMBLY INSTRUCTIONS

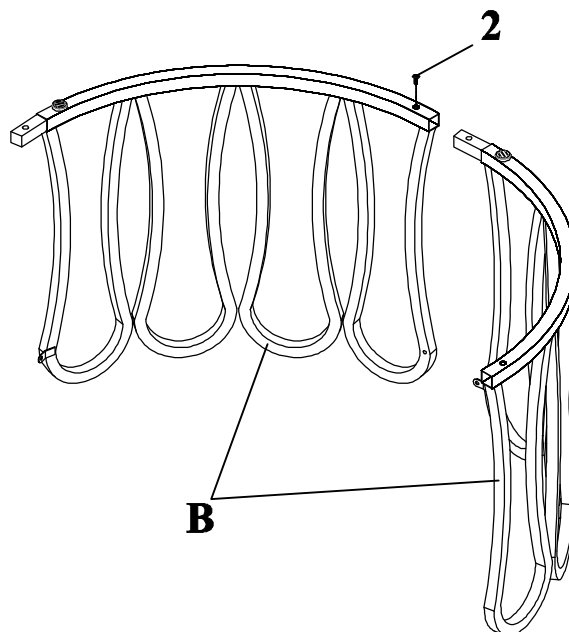


STEP 1

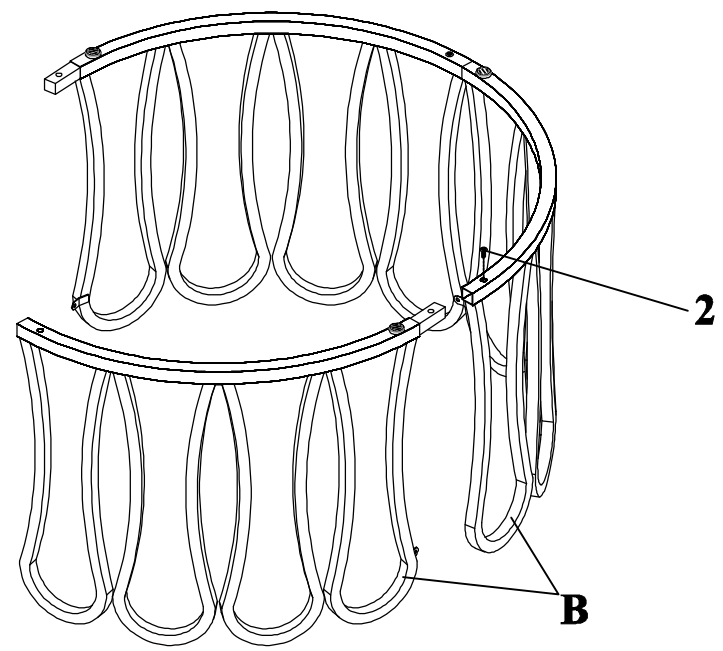
Do not tighten until each step is completed or instructed.



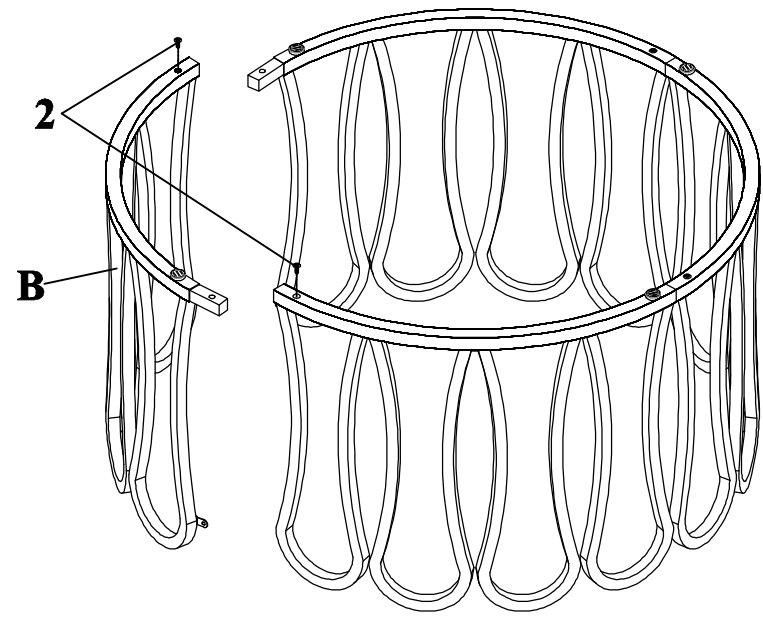
STEP 2



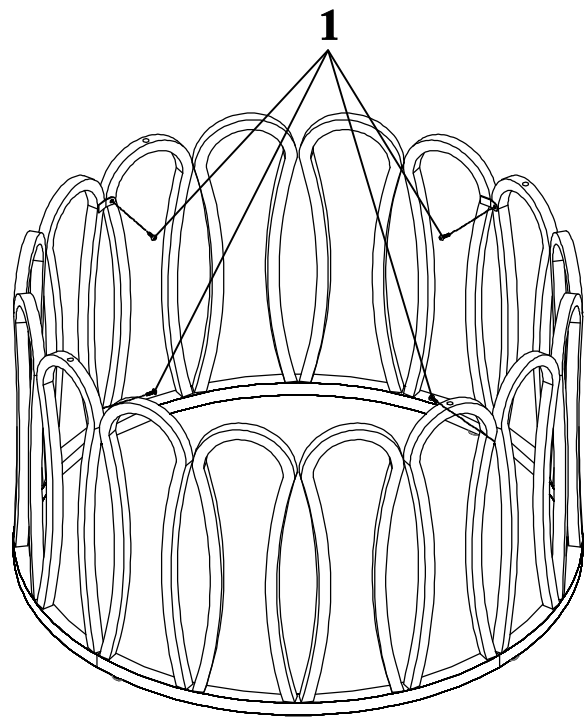
ITEM: 708058
ASSEMBLY INSTRUCTIONS
STEP 3



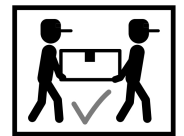
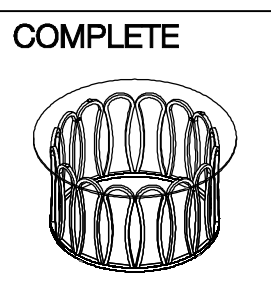
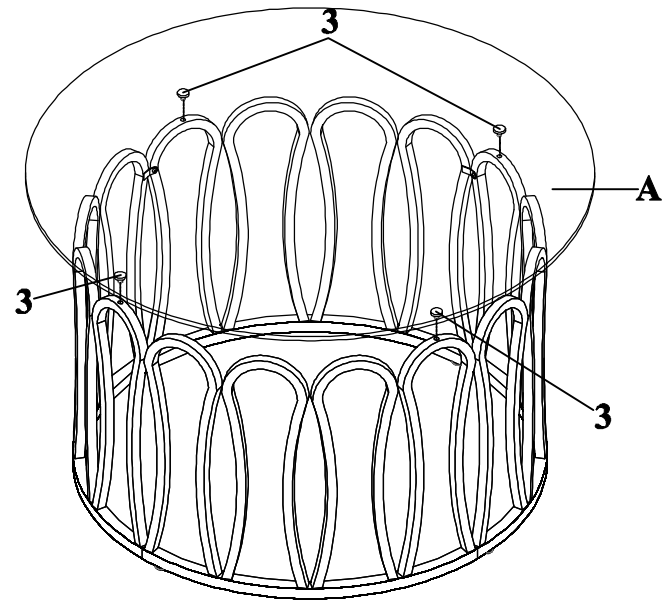
STEP 4



ITEM: 708058
ASSEMBLY INSTRUCTIONS
STEP 5



STEP 6

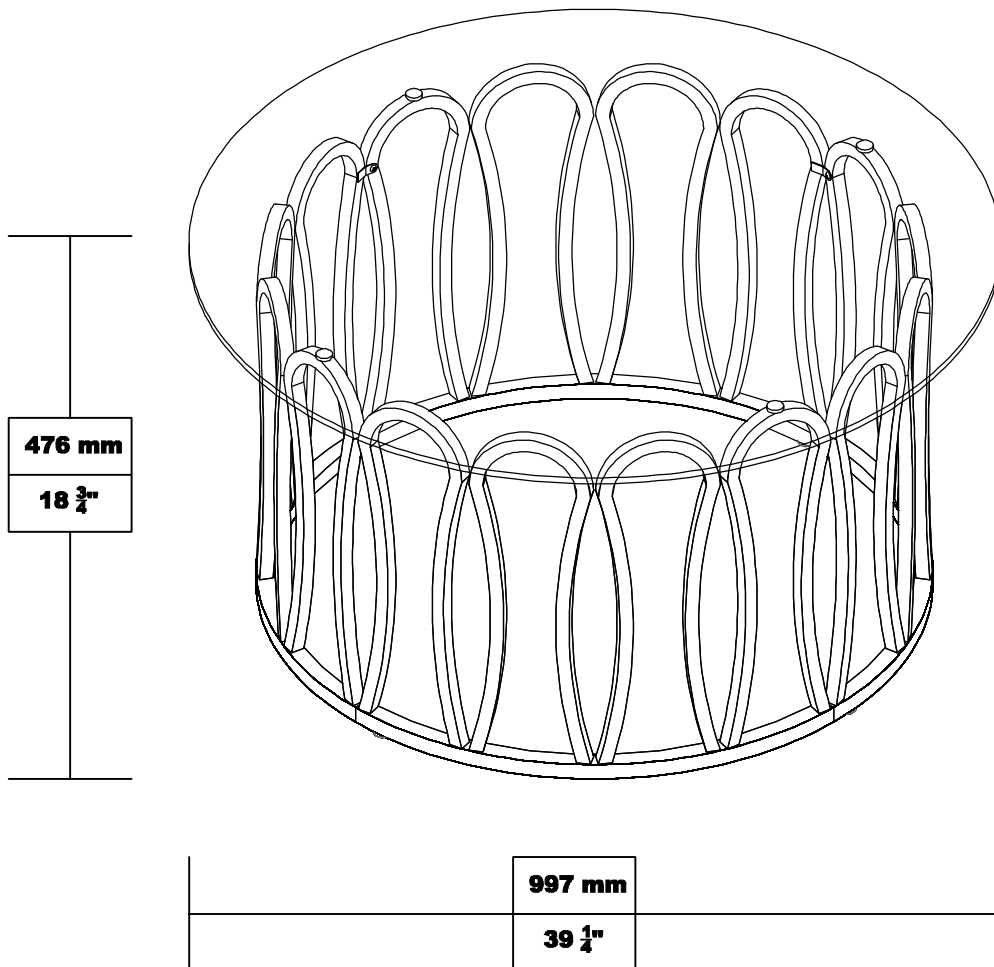


ITEM:708057
ASSEMBLY INSTRUCTIONS



Product Size : 997 DIA X 476 H (MM)

Product Size : 39 1/4" DIA X 18 3/4"



Note : Dimension tolerance $\pm 5\%$