



ASSEMBLY INSTRUCTIONS COASTER FINE FURNITURE



Fine Furniture for every stage of life

REVISION 1: 04/08/2020

109292
DINING CHAIR

PAGE 1 OF 4

COASTERFURNITURE.COM

ITEM: 109292



ASSEMBLY INSTRUCTIONS

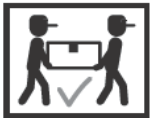
ASSEMBLY TIPS:

1. Remove hardware from box and sort by size.
2. Please check to see that all hardware and parts are present prior start of assembly.
3. Please follow attached instructions in the same sequence as numbered to assure fast & easy assembly.



WARNING!

1. Don't attempt to repair or modify parts that are broken or defective .Please contact the store immediately.
2. This product is for home use only and not intended for commercial establishment.

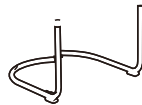


ASSEMBLY TIME

10 MINUTES

PARTS IDENTIFICATION

A.



BASE

1 PCS

B.





SEAT AND BACK

1 PCS

ITEM: 109292

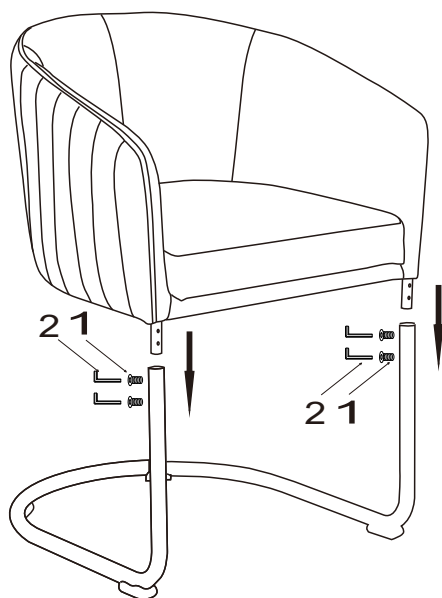
Z HARDWARE IDENTIFICATION

1	BOLT Ø M8*20mm		4PCS
2	ALLEN WRENCH M5mm		1PC

ITEM: 109292

ASSEMBLY INSTRUCTIONS

STEP 1



STEP 2

