

ASSEMBLY INSTRUCTIONS
COASTER FINE FURNITURE



Fine Furniture for every stage of life

705698
Coffee Table

ITEM: 705698



ASSEMBLY INSTRUCTIONS

ASSEMBLY TIPS:

1. Remove hardware from box and sort by size.
2. Please check to see that all hardware and parts are present prior to start of assembly.
3. Please follow attached instructions in the same sequence as numbered to assure fast & easy assembly.

Warning !!

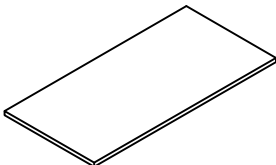
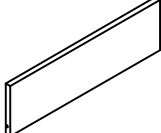
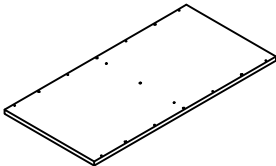
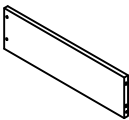
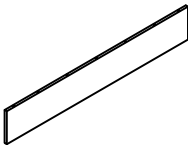
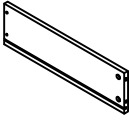

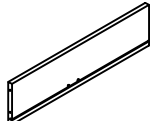
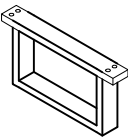
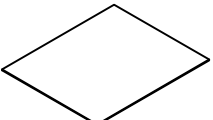

1. Don't attempt to repair or modify parts that are broken or defective. Please contact the store immediately.
2. This product is for home use only and not intended for commercial establishment.



ASSEMBLY TIME

30 MINUTES

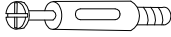

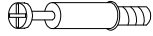




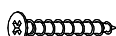
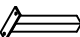



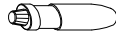
PARTS IDENTIFICATION

(A) TOP		1 PC	(F) DRAWER FRONT PANEL		2 PCS
(B) BOTTOM PANEL		1 PC	(G) DRAWER LEFT SIDE PANEL		2 PCS
(C) SIDE PANEL		2 PCS	(H) DRAWER RIGHT SIDE PANEL		2 PCS
(D) MIDDLE DIVDER PANEL		1 PC	(I) DRAWER BACK PANEL		2 PCS
(E) LEG FRAME		2 PCS	(J) DRAWER BOTTOM PANEL		2 PCS
			(K) DRAWER BOTTOM SUPPORT		2 PCS

ITEM:705698



HARDWARE IDENTIFICATION

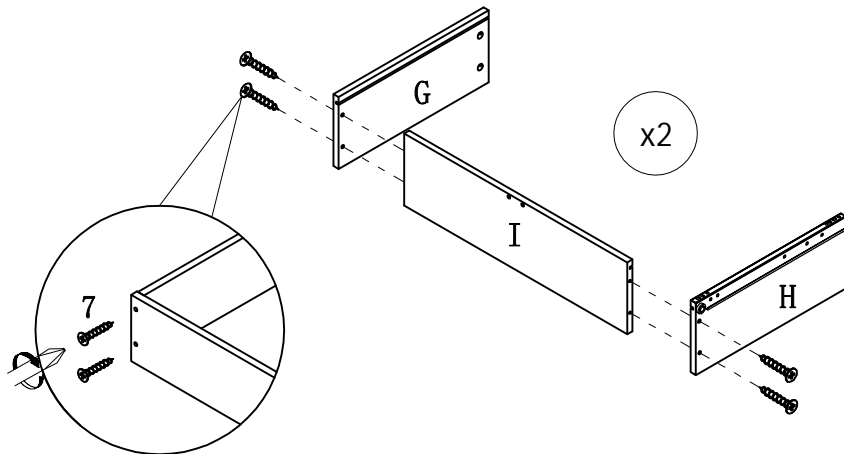
1	LARGE CAMBOLT	L=29mm		12pcs
2	LARGE CAMLOCK	∅15mm		12pcs
3	SMALL CAMBOLT	L=20mm		8pcs
4	SMALL CAMLOCK	∅12mm		8pcs
5	LONG DOWEL	∅8×25mm		16pcs
6	SHORT DOWEL	∅6×30mm		4pcs
7	LARGE SCREW	∅4x30mm		12pcs
8	EXTRA LARGE SCREW	∅4x40mm		10pcs
9	METAL LEG	80x25x182mm		1pc
10	WRENCH	M4mm		1pc
11	INNER HEX SCREW	M6x25mm		8pcs
12	FLAT-HEAD SCREW	M6x12mm		2pcs
13	GLUE			1pc

ITEM: **705698**

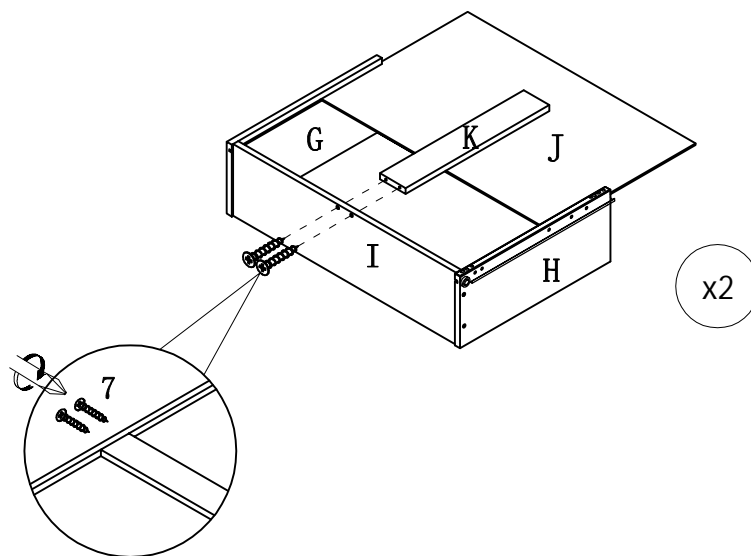
ASSEMBLY INSTRUCTIONS



STEP 1



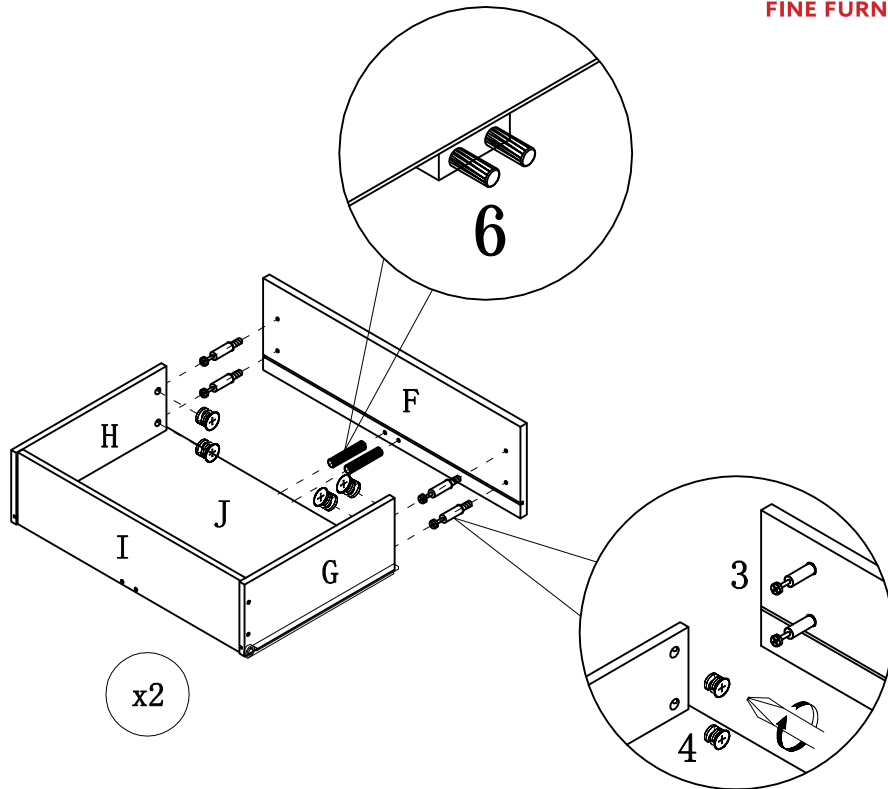
STEP 2



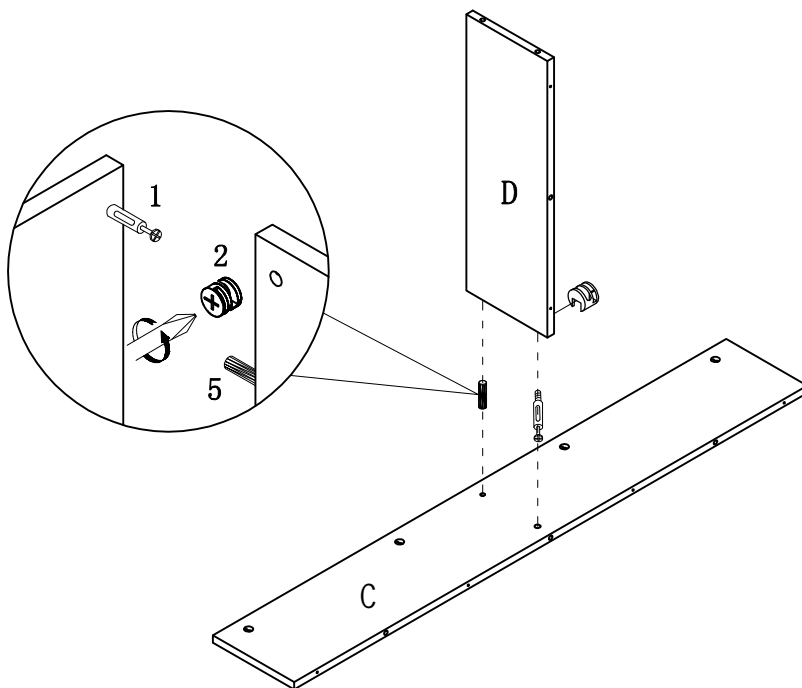
ITEM: **705698**

ASSEMBLY INSTRUCTIONS

STEP 3



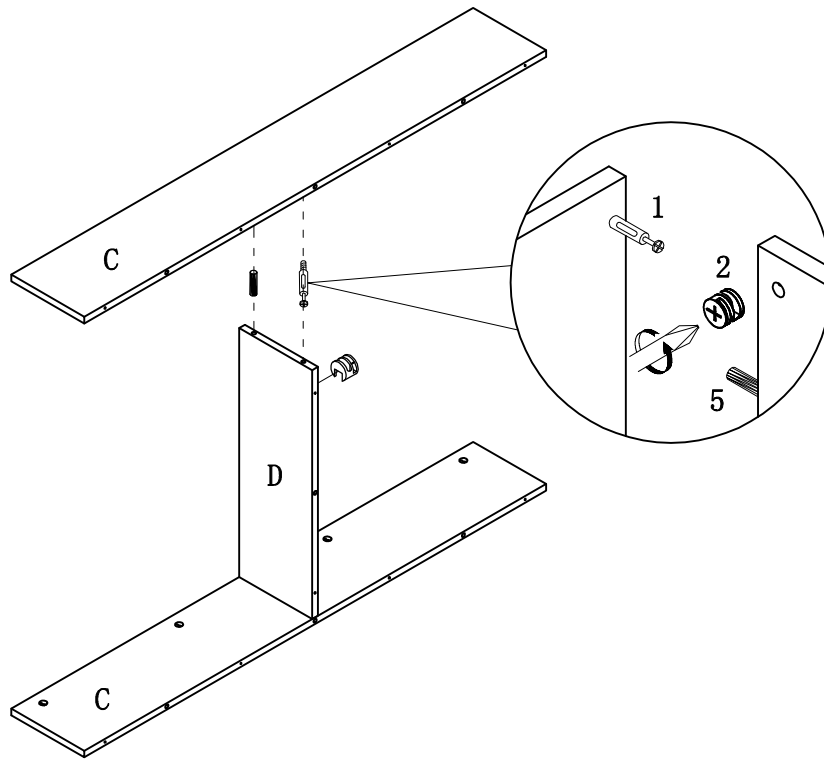
STEP 4



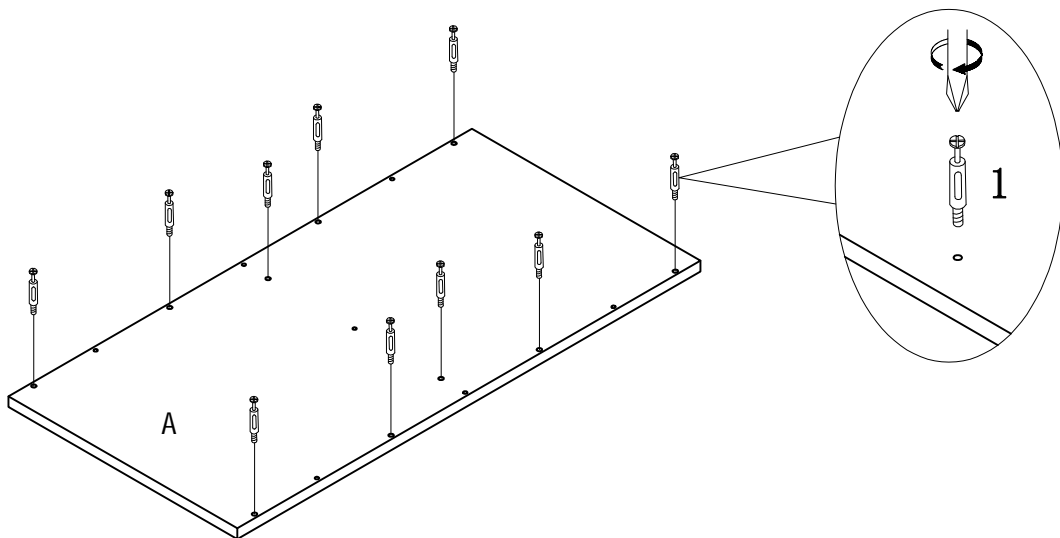
ITEM: **705698**

ASSEMBLY INSTRUCTIONS

STEP 5



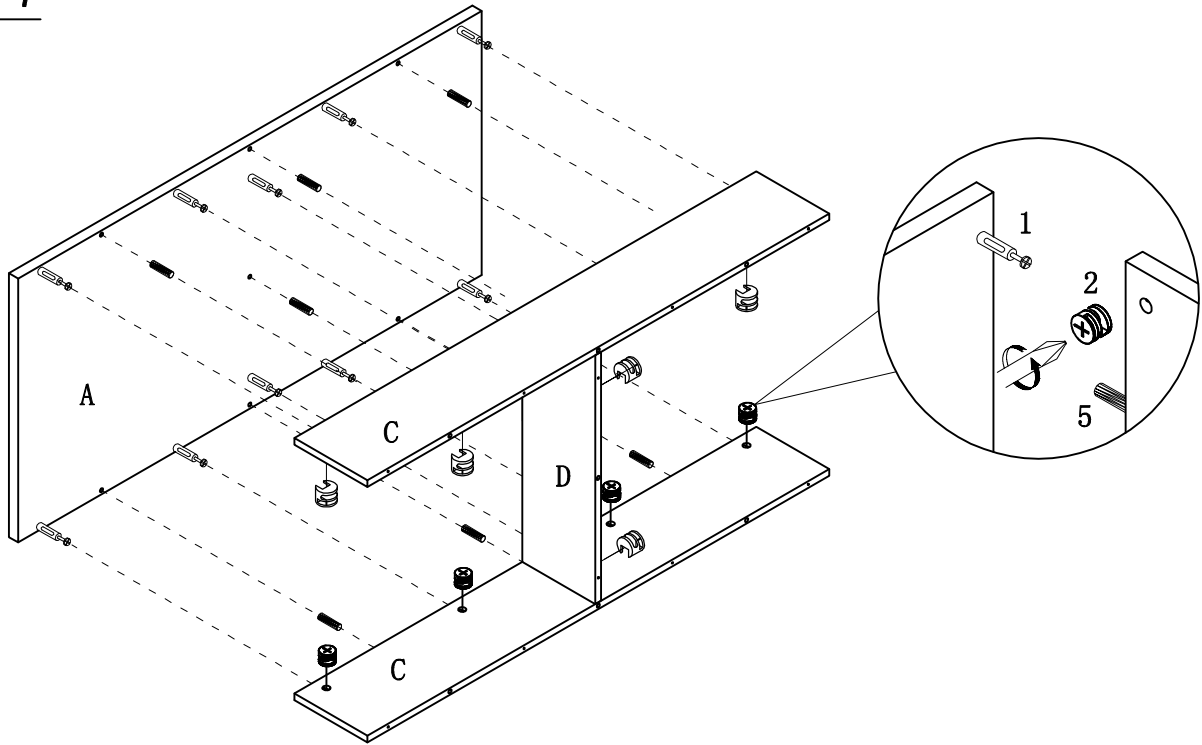
STEP 6



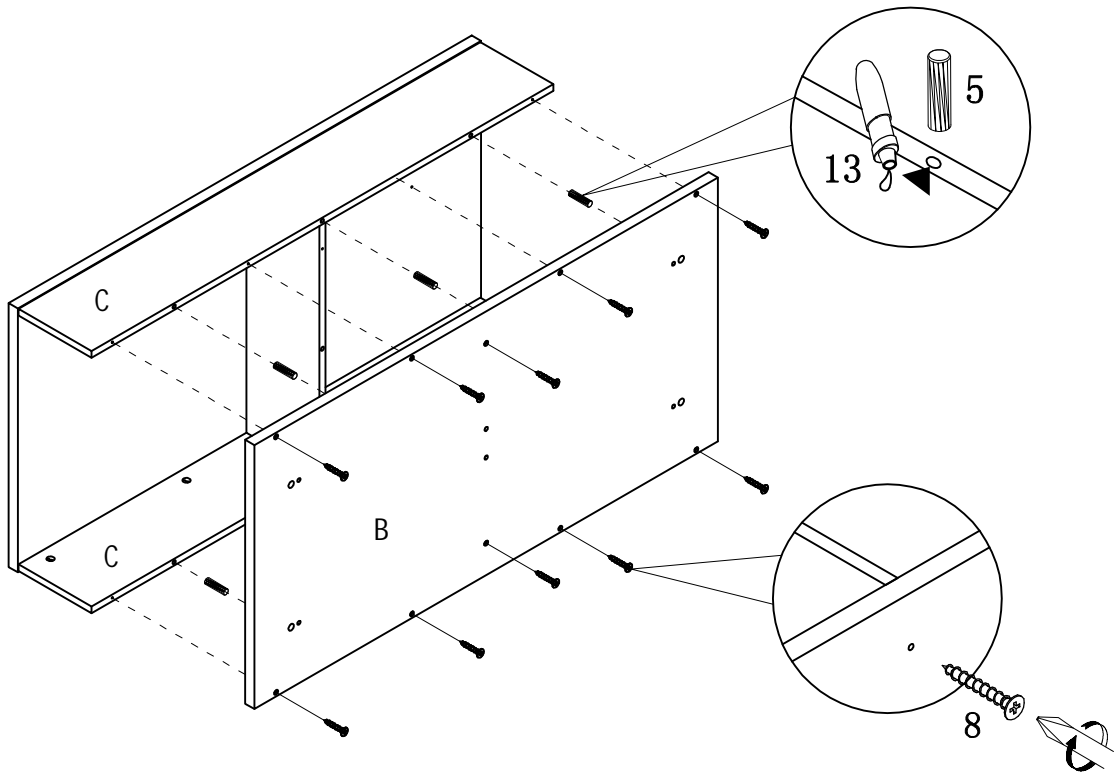
ITEM: **705698**

ASSEMBLY INSTRUCTIONS

STEP 7



STEP 8

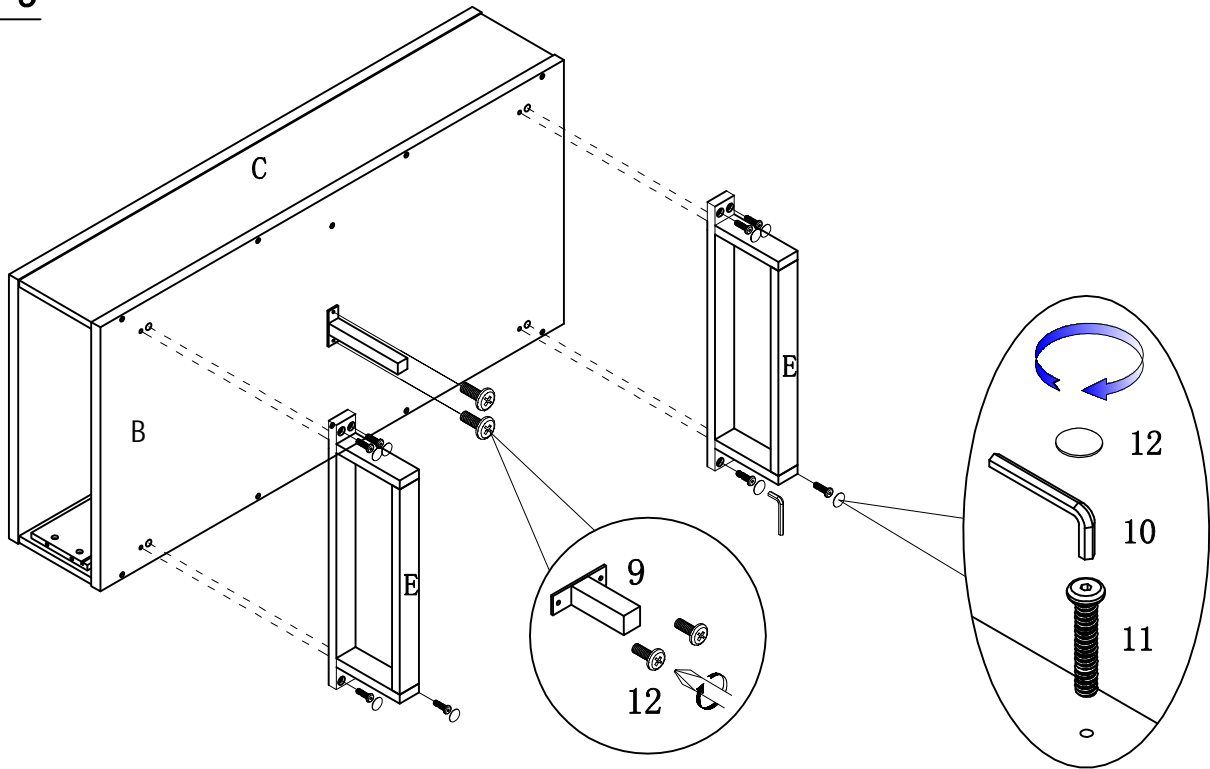


ITEM: **705698**

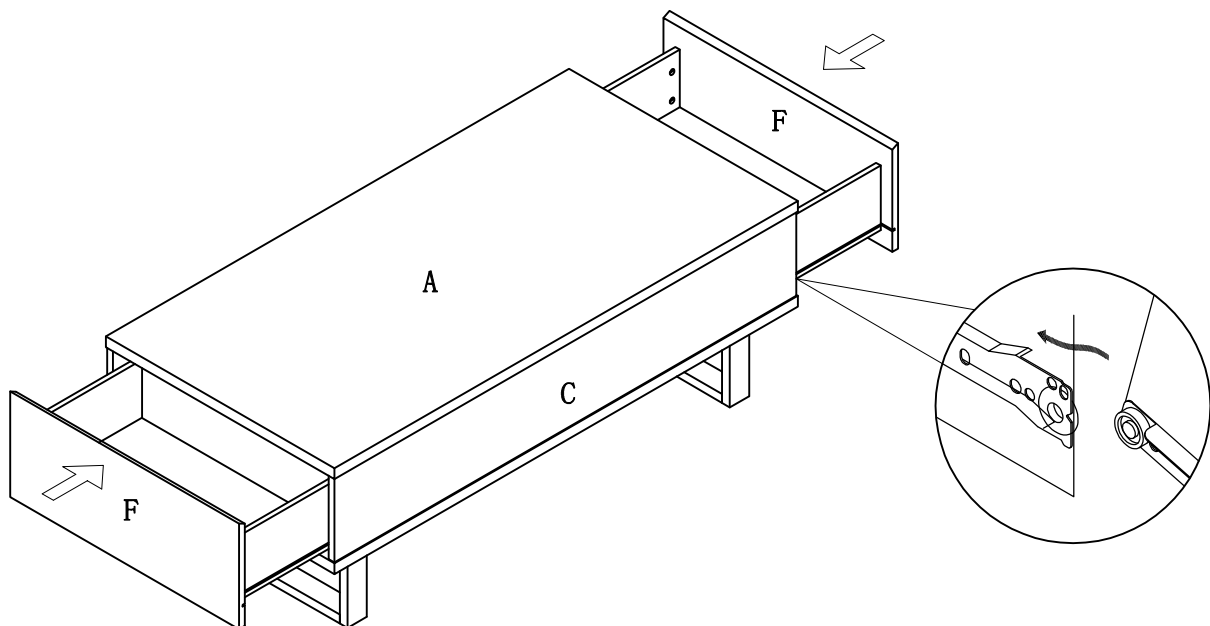
ASSEMBLY INSTRUCTIONS



STEP 9



STEP 10



ITEM: **705698**

DIMENSION

