

ASSEMBLY INSTRUCTIONS
COASTER FINE FURNITURE



Fine Furniture for every stage of life

705709
Sofa Table

ITEM:705709



ASSEMBLY INSTRUCTIONS

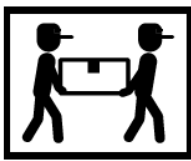
ASSEMBLY TIPS:

- 1.Remove hardware from box and sort by size.
- 2.Please check to see that all hardware and parts are present prior to start of assembly.
- 3.Please follow attached instructions in the same sequence as numbered to assure fast & easy assembly.



Warning !!

1. Don't attempt to repair or modify parts that are broken or defective. Please contact the store immediately.
2. This product is for home use only and not intended for commercial establishment.



ASSEMBLY TIME

30 MINUTES



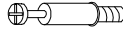

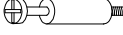


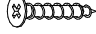





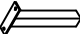

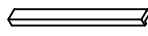


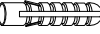
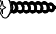
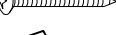
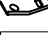
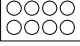


PARTS IDENTIFICATION

(A) TOP		1 PC	(H) LEFT LEG FRAME		1 PC
(B) BASE FRAME		1 PC	(I) RIGHT LEG FRAME		1 PC
(C) SHELF		1 PC	(J) LEFT DRAWER FRONT		1 PC
(D) CROSSBAR		1 PC	(K) RIGHT DRAWER FRONT		1 PC
(E) LEFT SIDE PANEL		1 PC	(L) DRAWER LEFT SIDE PANEL		2 PCS
(F) RIGHT SIDE PANEL		1 PC	(M) DRAWER RIGHT SIDE PANEL		2 PCS
(G) DIVIDER PANEL		1 PC	(N) DRAWER BACK PANEL		2 PCS
			(O) DRAWER BOTTOM PANEL		2 PCS
			(P) BACK PANEL		1 PC

ITEM:705709



HARDWARE IDENTIFICATION

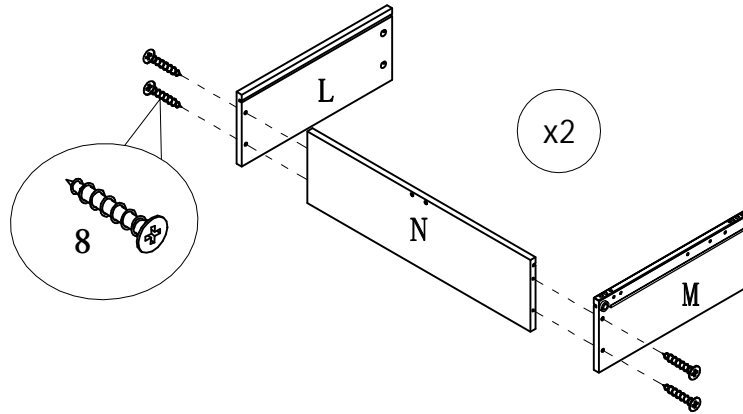
1	LARGE CAMBOLT	L29mm		16pcs
2	LARGE CAMLOCK	Ø15mm		16pcs
3	SMALL CAMBOLT	L20mm		8pcs
4	SMALL CAMLOCK	ET12mm		8pcs
5	SMALL CAMLOCK	L24mm		4pcs
6	SMALL CAMLOCK	ET12mm		4pcs
7	SHORT DOWEL	Ø8×25mm		8pcs
8	LARGE SCREW	Ø4x30mm		10pcs
9	WRENCH	M5mm		1pc
10	WASHER	Ø8X16X2mm		4pcs
11	INNER HEX SCREW	M8x35mm		4pcs
12	INNER HEX SCREW	M6x30mm		4pcs
13	NAIL			22pcs
14	METAL SCREW	80x25x82mm		1pc
15	FLAT-HEAD SCREW	M6x12mm		2pcs
16	HANDLE	#96mm		2pcs
17	HANDLE SCREW	M4X20mm		4pcs
18	THE RESTRAINT STRAP	197×5×1mm		1pc
19	PLASTIC ANCHOR	Ø8X40mm		1pc
20	SMALL SCREW	Ø4X25mm		1pc
21	WALL SCREW	Ø5X40mm		1pc
22	BRACKET	12×12×1mm		2pcs
23	LARGE STICKER	Ø22mm		4pcs
25	WRENCH	M4mm		1pc
24	GLUE			1pc

ITEM: **705709**

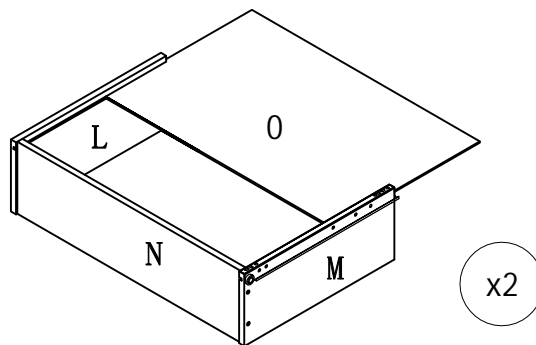
ASSEMBLY INSTRUCTIONS



STEP 1



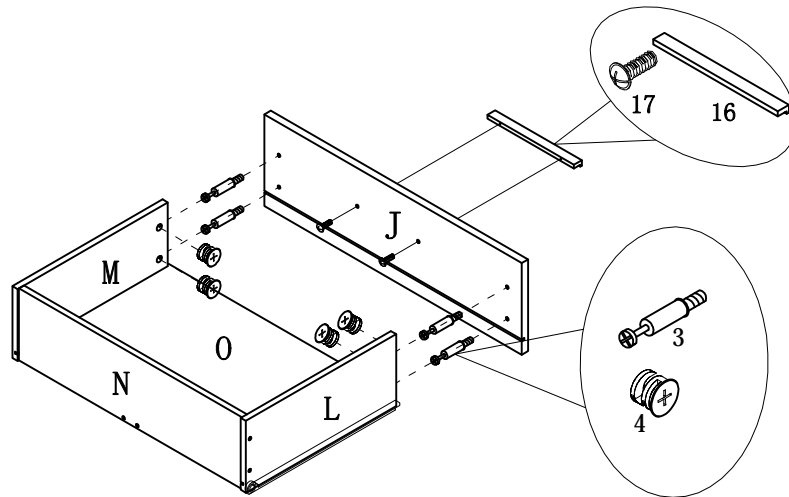
STEP 2



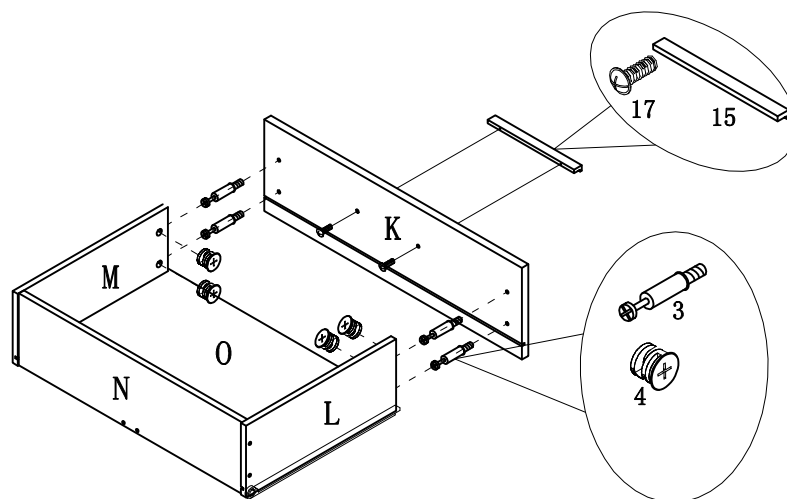
ITEM: 705709

ASSEMBLY INSTRUCTIONS

STEP 3



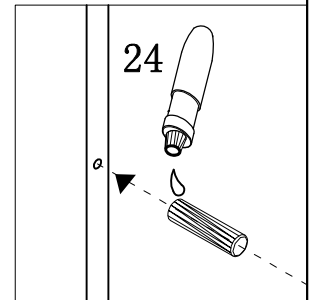
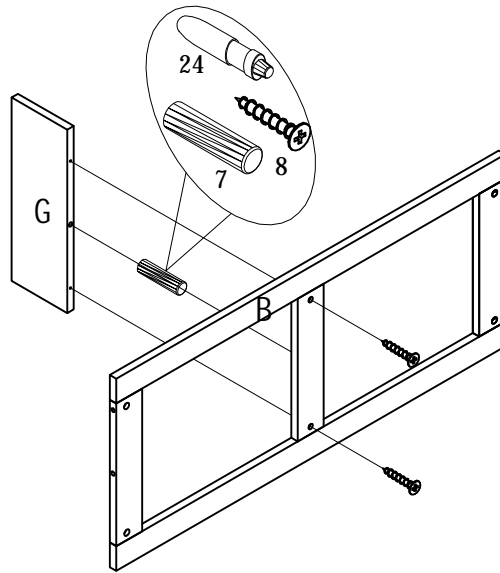
STEP 4



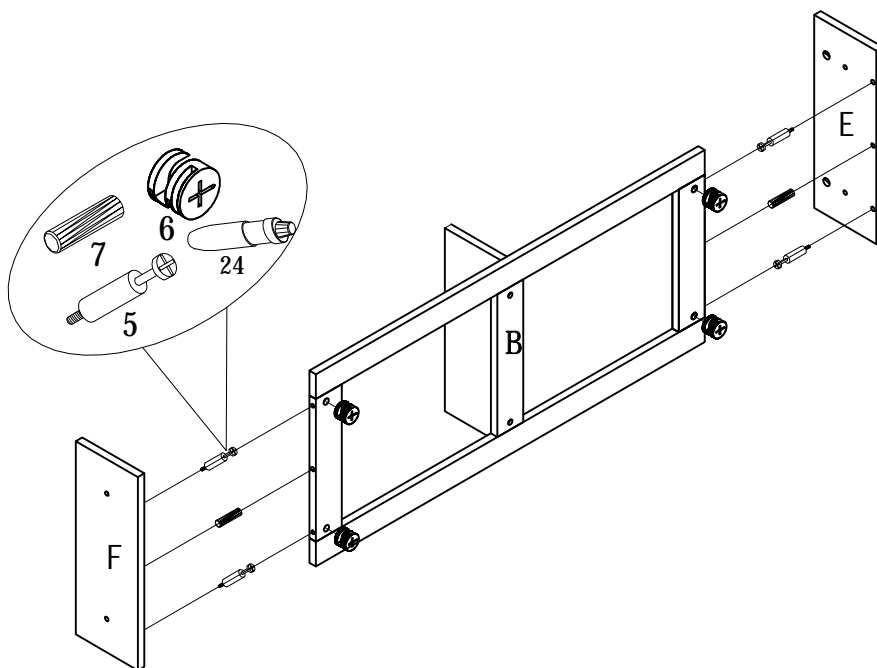
ITEM: **705709**

ASSEMBLY INSTRUCTIONS

STEP 5



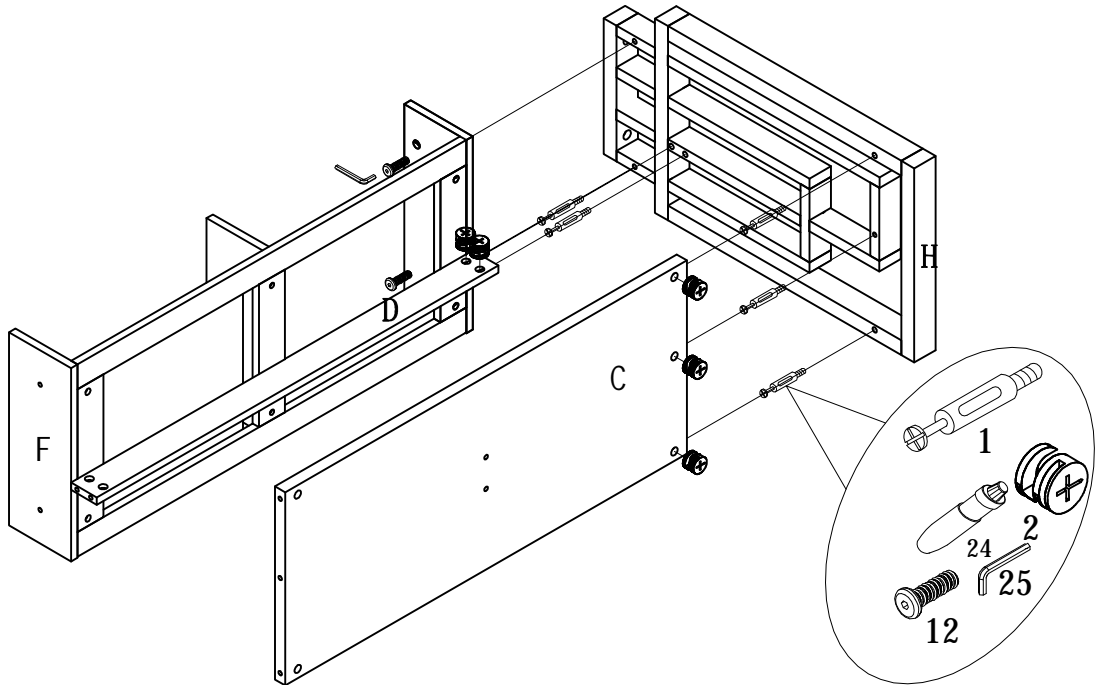
STEP 6



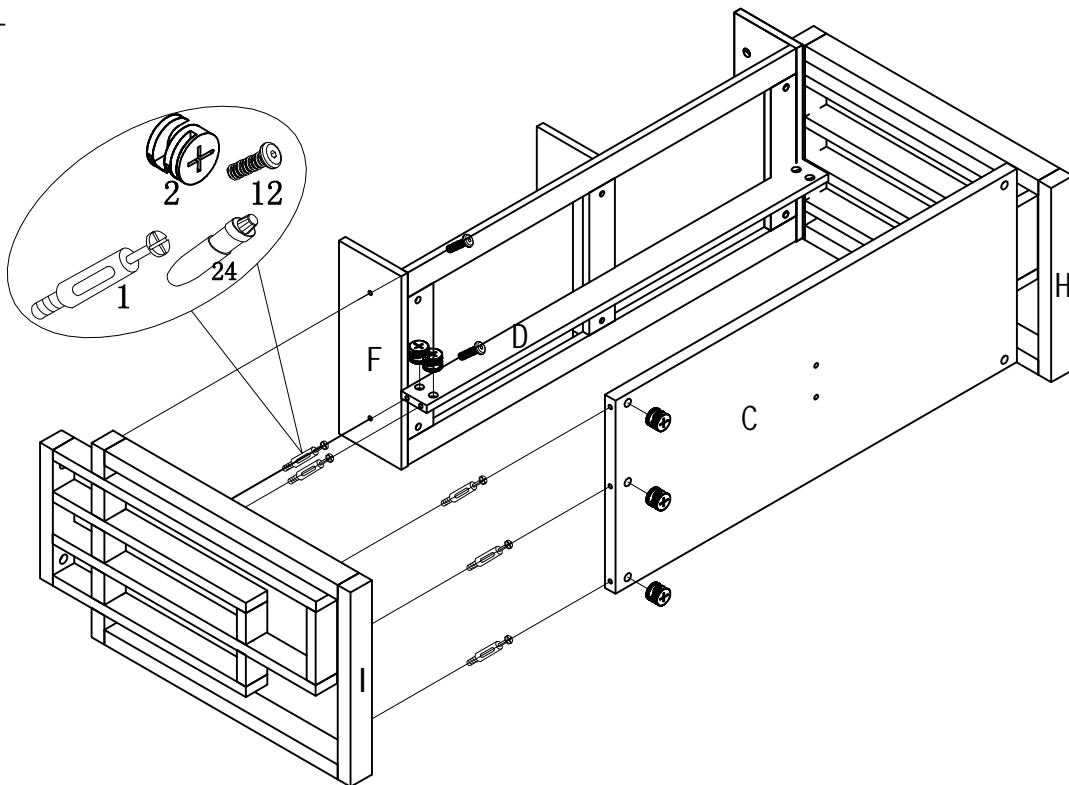
ITEM: **705709**

ASSEMBLY INSTRUCTIONS

STEP 7



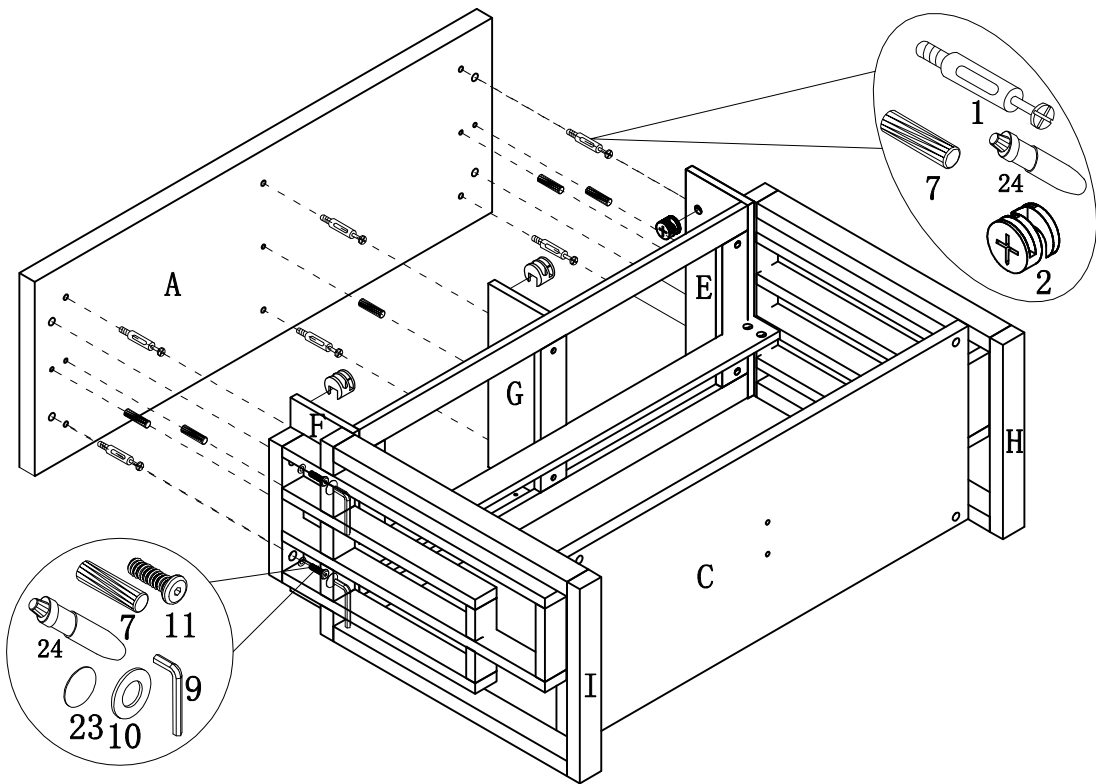
STEP 8



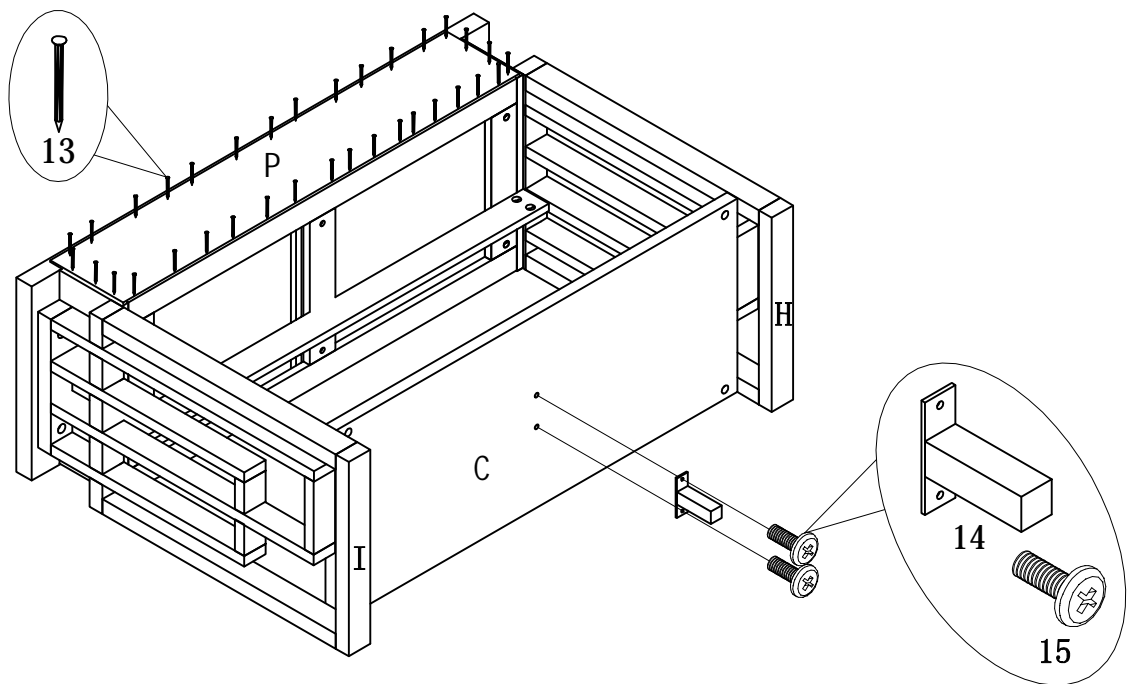
ITEM: 705709

ASSEMBLY INSTRUCTIONS

STEP 9



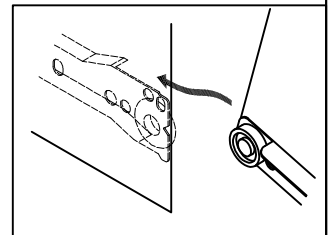
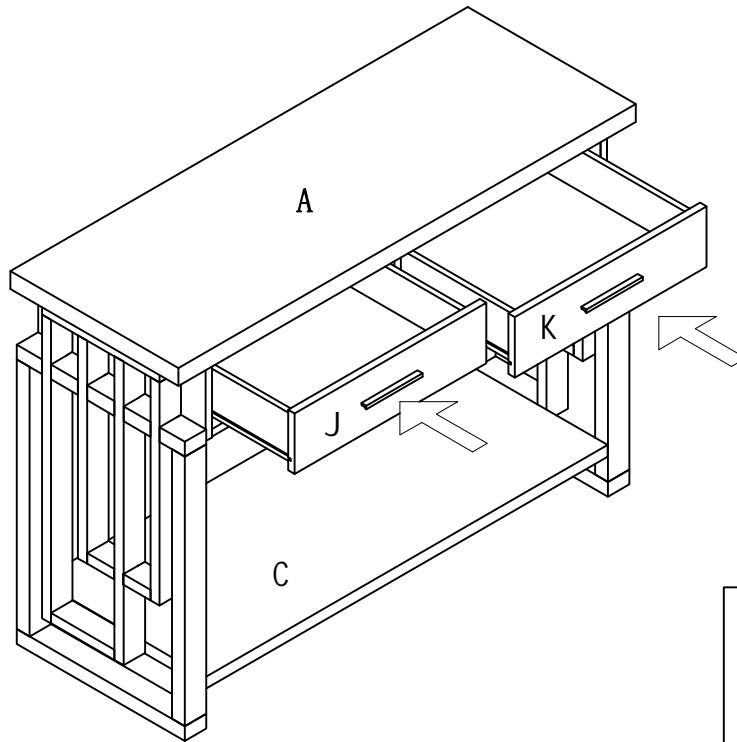
STEP 10



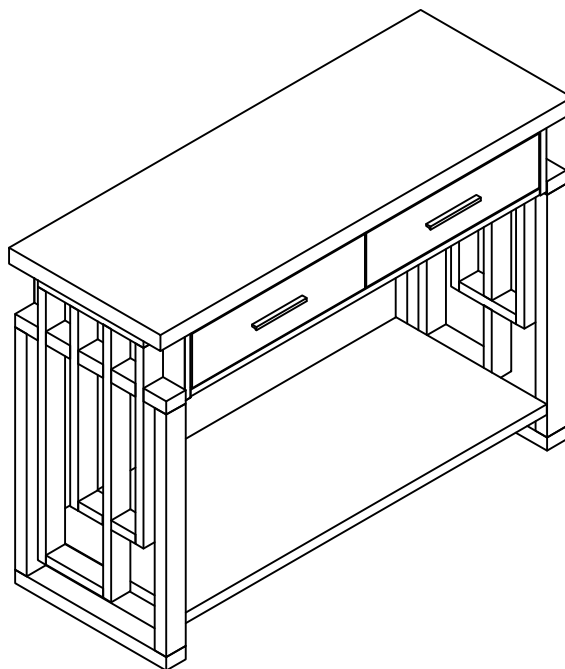
ITEM: 705709

ASSEMBLY INSTRUCTIONS

STEP 11



STEP 12

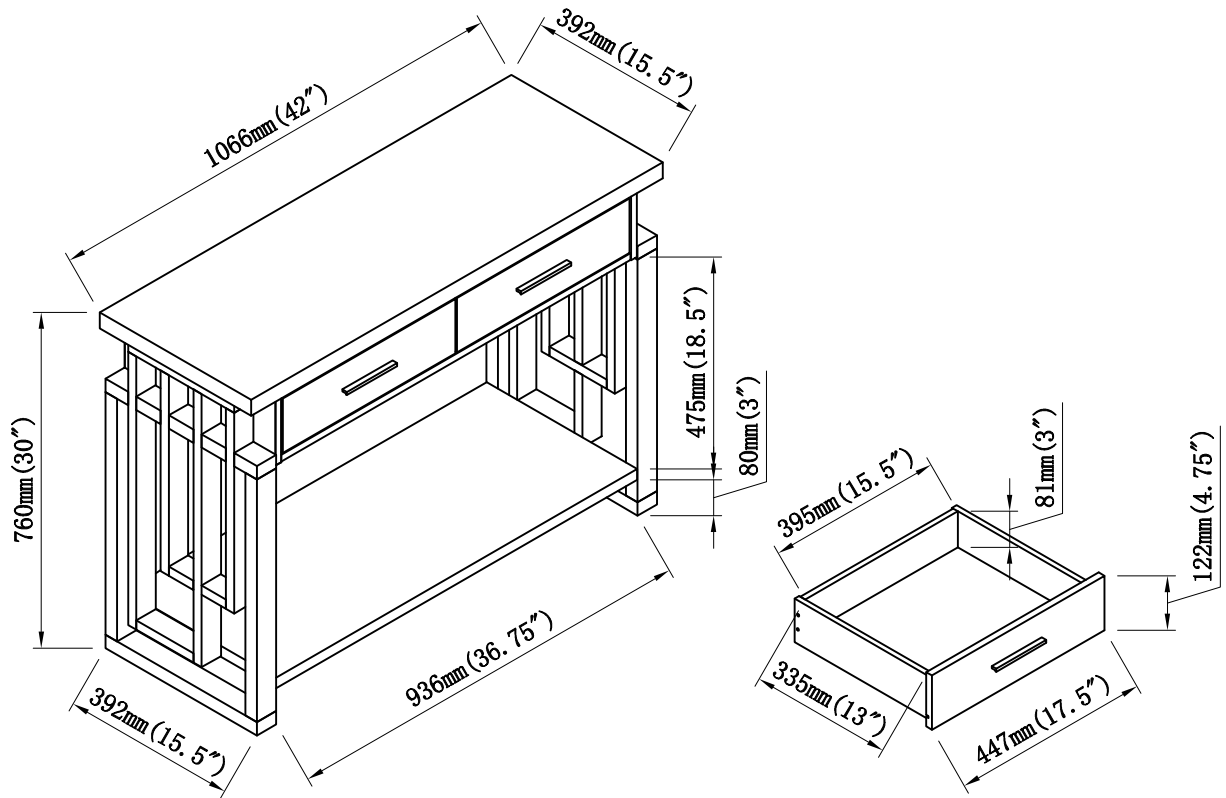


ITEM: 705709

DIMENSION



ITEM: 705709
1066x392x759 (H)



ITEM: **705709**



ANTI-TIPPING INSTALLMENT INSTRUCTIONS

FURNITURE TIPPING RESTRAINT

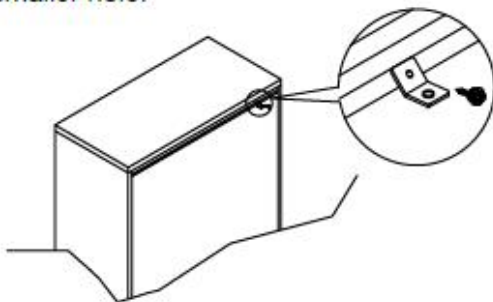
WARNING

Injury may result from tipping furniture.
This restraint may protect against tipping furniture.
Do not allow children to climb on furniture.
This restraint is not a substitute for proper adult supervision.
Failure to detach this restraint before moving the furniture may result in injury and damage.

This tip restraint must be attached to a wall stud using long screw enclosed.

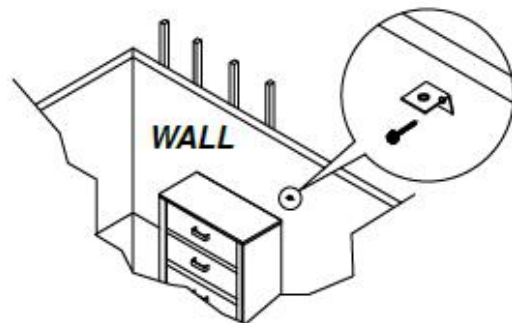
STEP 1

Attach a bracket securely to the back top rail to the furniture using short screw provided, through the smaller hole.



STEP 2

Locate the other bracket on the wall over a wall stud and two inches below the mounting bracket secured to the back of the furniture. Attach the wall stud using the long screw provided, through the smaller hole.



STEP 3

Place the furniture into position so both mounting brackets are vertically in line. Lace the end of the restraint strap through the larger hole in each mounting bracket. Bring both ends together and slide the flat end through the locking and draw it until all slack is removed. Confirm that the strap is securely laced and locked.

