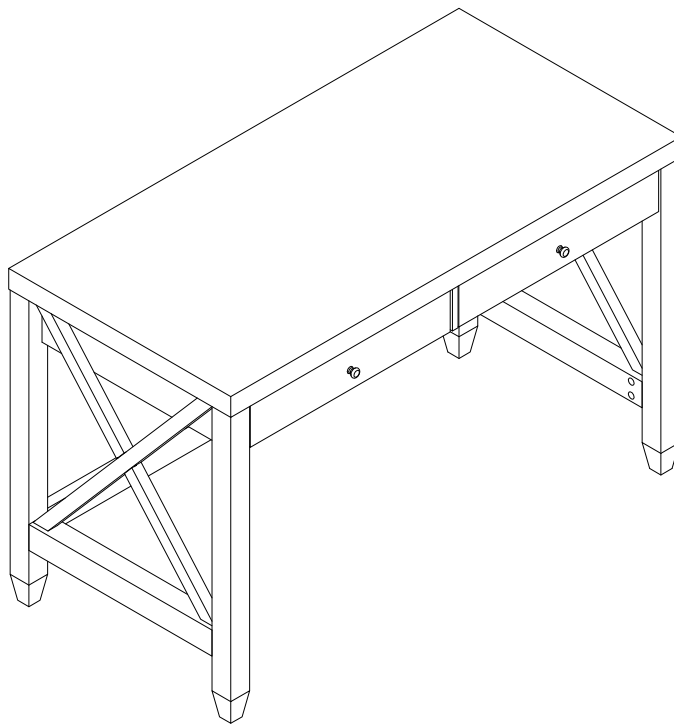


**ASSEMBLY INSTRUCTIONS**  
**COASTER FINE FURNITURE**



*Fine Furniture for every stage of life*

**801351**  
***Writing Desk***

# ITEM:801351



## ASSEMBLY INSTRUCTIONS

### ASSEMBLY TIPS:

- 1.Remove hardware from box and sort by size.
- 2.Please check to see that all hardware and parts are present prior to start of assembly.
- 3.Please follow attached instructions in the same sequence as numbered to assure fast & easy assembly.

### Warning !!

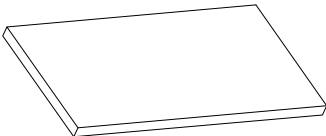
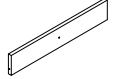
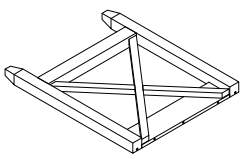

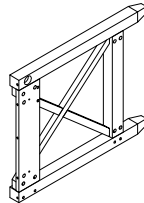

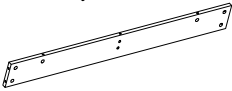



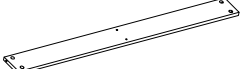
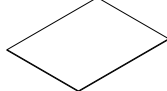

1. Don't attempt to repair or modify parts that are broken or defective. Please contact the store immediately.
2. This product is for home use only and not intended for commercial establishment.



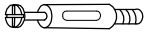



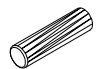
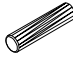
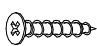











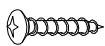


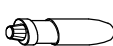
**ASSEMBLY TIME**

**30 MINUTES**

## PARTS IDENTIFICATION

(A) TOP		1 PC	(H) DRAWER FRONT PANEL		2 PCS
(B) LEFT SIDE FRAME		1 PC	(I) DRAWER BOTTOM SUPPORT		2 PCS
(C) RIGHT SIDE FRAME		1 PC	(J) LEFT DRAWER SIDE PANEL		2 PCS
(D) BACK PANEL		1 PC	(K) RIGHT DRAWER SIDE PANEL		2 PCS
(E) DIVIDER PANEL		1 PC	(L) DRAWER BACK PANEL		2 PCS
(F) FRONT CROSSBAR		1 PC	(M) DRAWER BOTTOM PANEL		2 PCS
(G) BOTTOM CROSSBAR		1 PC			

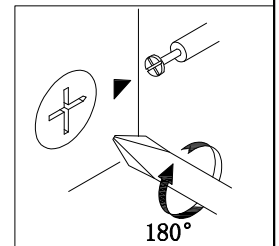
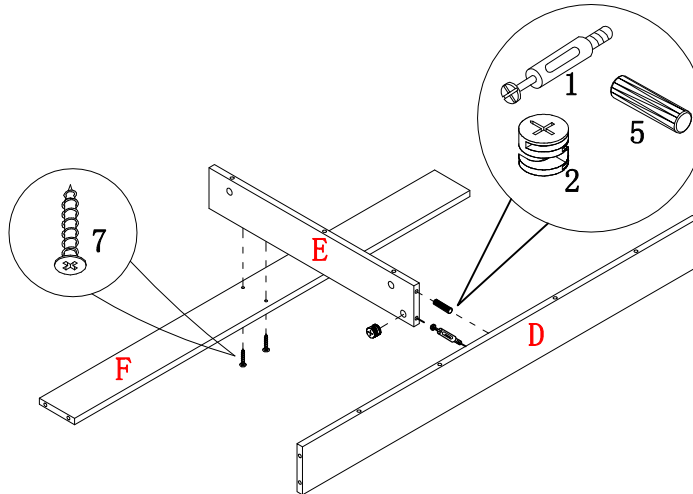
## HARDWARE IDENTIFICATION

1	LARGE CAMBOLT	L29mm		21pcs
2	LARGE CAMLOCK	ø15mm		21pcs
3	SMALL CAMBOLT	L20mm		8pcs
4	SMALL CAMLOCK	ø12mm		8pcs
5	LARGE DOWEL	ø8×25mm		8pcs
6	SMALL DOWEL	ø6×30mm		4pcs
7	SCREW	ø4×30mm		14pcs
8	JAM WASHER	ø8mm		2pcs
9	NUT	M8mm		2pcs
10	FULL THREAD ROD	M8×70mm		2pcs
11	OPEN WRENCH	M13mm		1 pc
12	WAHSER	ø8×17x1mm		2pcs
13	KNOB	ø30mm		2pcs
14	KNOB SCREW	M4×22mm		2pcs
15	LARGE STICKER	ø45mm		2pcs
16	SMALL STICKER	ø22mm		16pcs
17	THE RESTRAINT STRAP	197×5×1mm		1pc
18	BRACKET	12×12×1mm		2pcs
19	SMALL SCREW	ø4x25mm		1pc
20	WALL SCREW	ø5x40mm		1pc
21	PLASTIC ANCHOR	ø8x40mm		1pc
22	GLUE			1pc

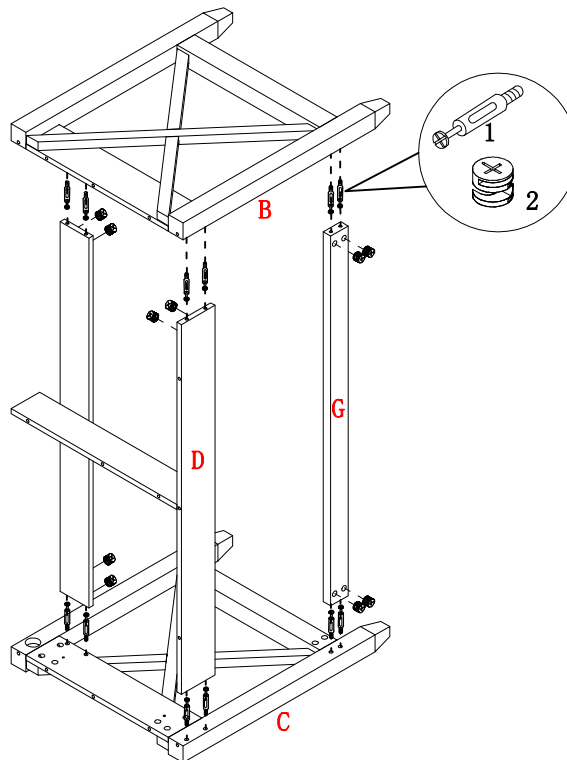
# ITEM: 801351

## ASSEMBLY INSTRUCTIONS

### STEP 1



### STEP 2

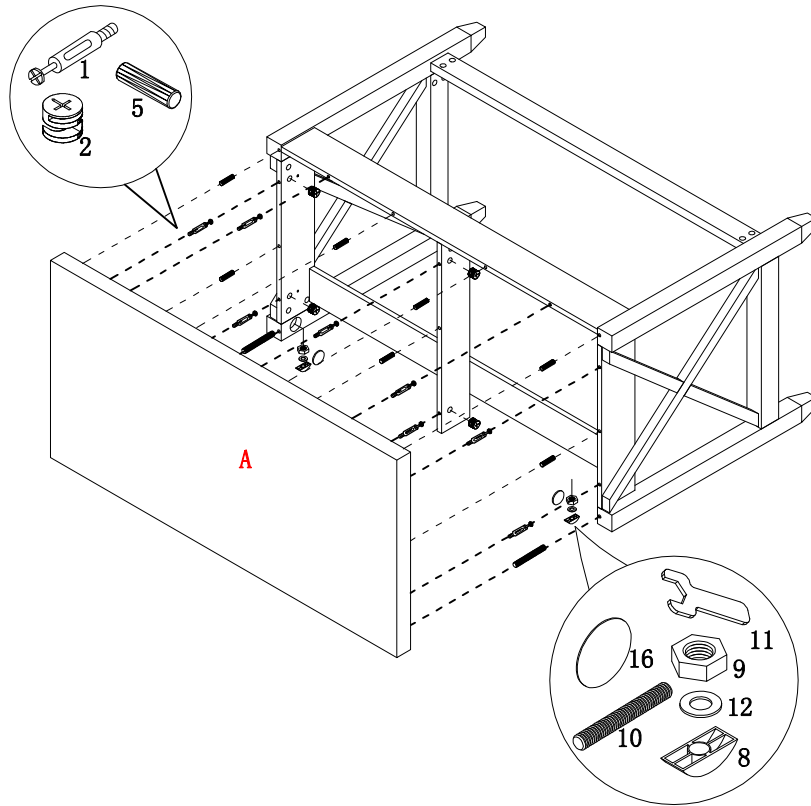


# ITEM: 801351

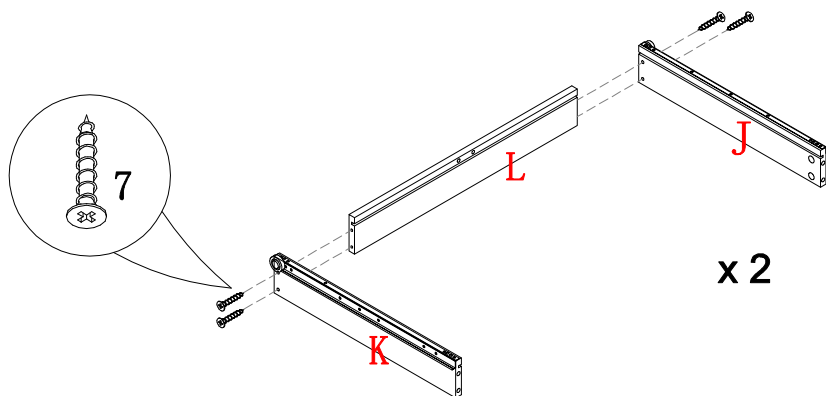
## ASSEMBLY INSTRUCTIONS



### STEP 3



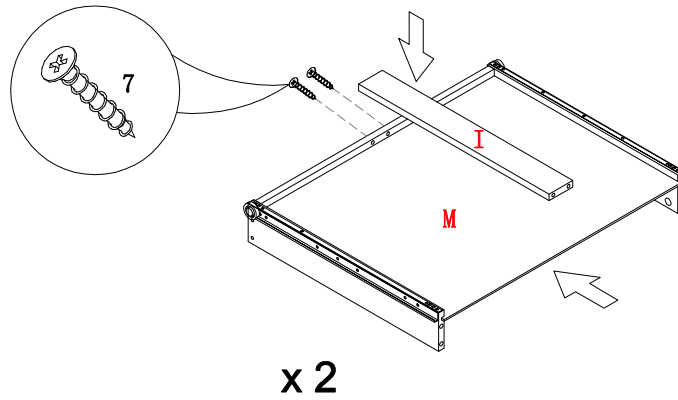
### STEP 4



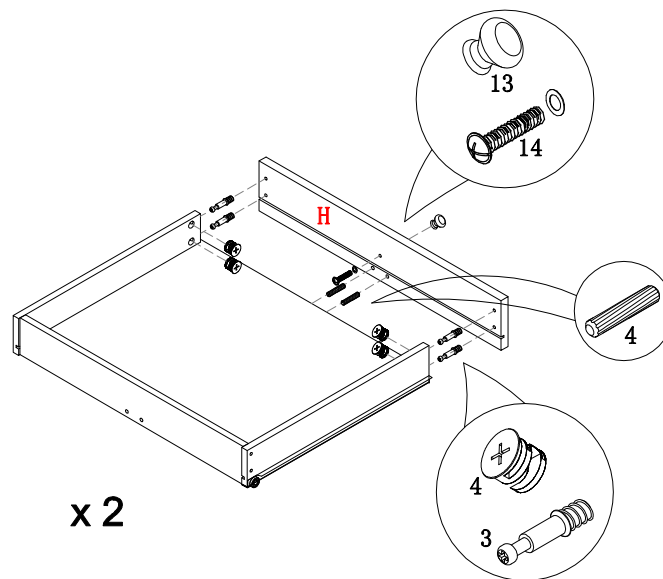
# ITEM: 801351

## ASSEMBLY INSTRUCTIONS

### STEP 5



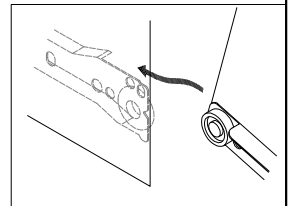
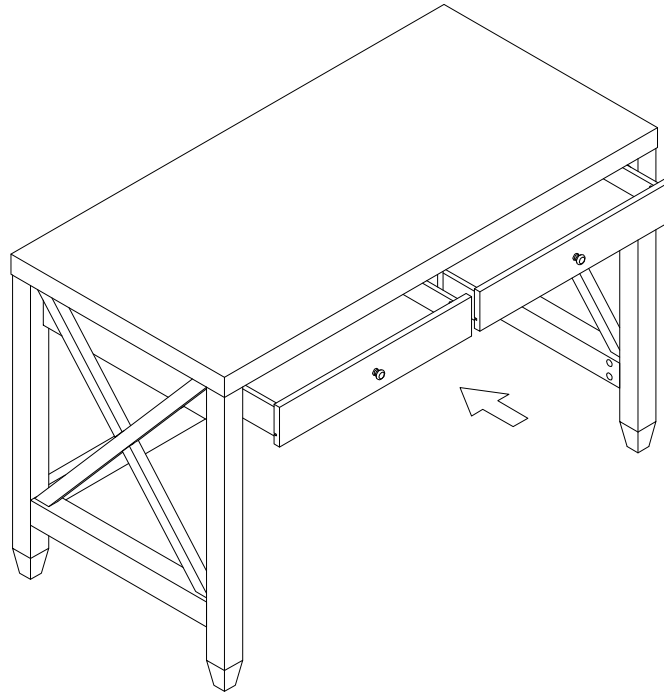
### STEP 6



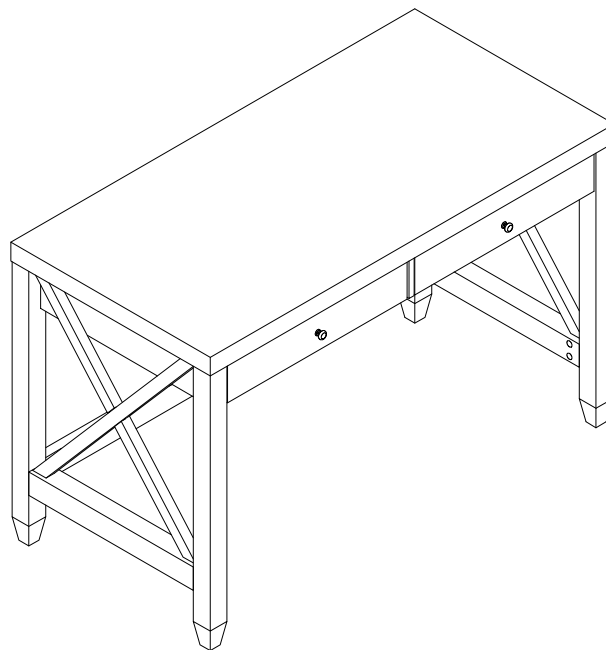
**ITEM: 801351**

**ASSEMBLY INSTRUCTIONS**

**STEP 7**

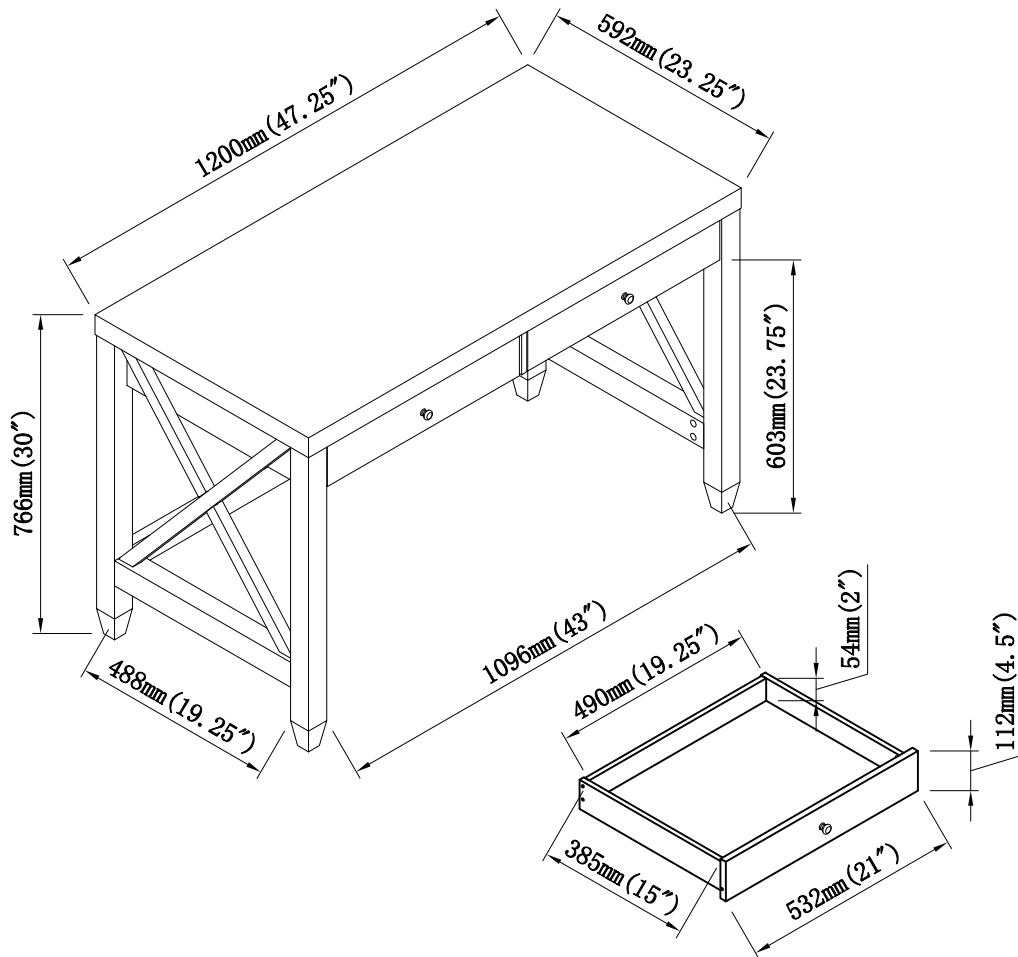


**STEP 8**



ITEM: **801351**

DIMENSION





ITEM:801351



## ANTI-TIPPING INSTALLMENT INSTRUCTIONS

### FURNITURE TIPPING RESTRAINT

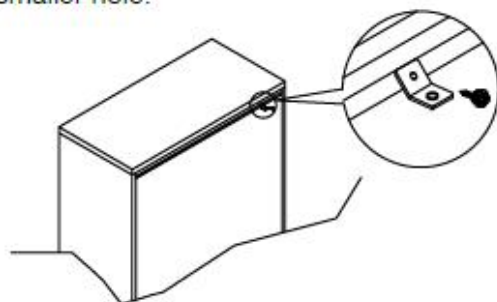
#### WARNING

Injury may result from tipping furniture.  
This restraint may protect against tipping furniture.  
Do not allow children to climb on furniture.  
This restraint is not a substitute for proper adult supervision.  
Failure to detach this restraint before moving the furniture may result in injury and damage.

This tip restraint must be attached to a wall stud using long screw enclosed.

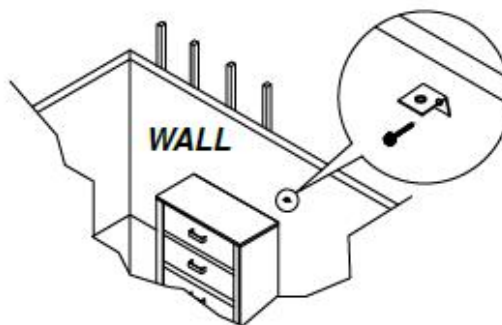
#### STEP 1

Attach a bracket securely to the back top rail to the furniture using short screw provided, through the smaller hole.



#### STEP 2

Locate the other bracket on the wall over a wall stud and two inches below the mounting bracket secured to the back of the furniture. Attach the wall stud using the long screw provided, through the smaller hole.



#### STEP 3

Place the furniture into position so both mounting brackets are vertically in line. Lace the end of the restraint strap through the larger hole in each mounting bracket. Bring both ends together and slide the flat end through the locking and draw it until all slack is removed. Confirm that the strap is securely laced and locked.

