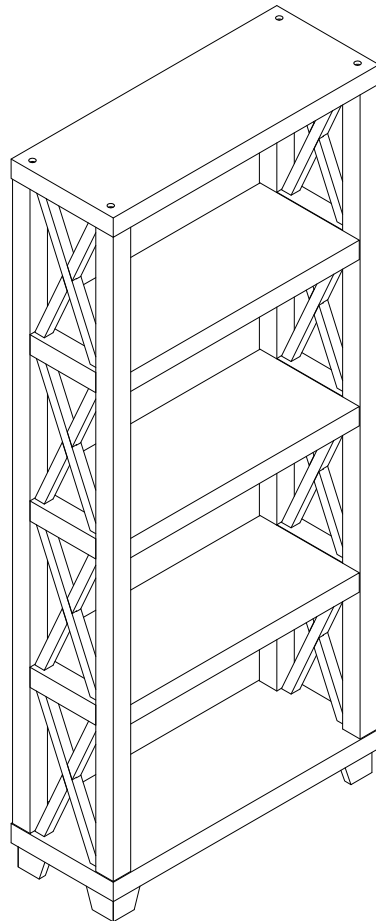


ASSEMBLY INSTRUCTIONS
COASTER FINE FURNITURE



Fine Furniture for every stage of life

801353
Bookcase

ITEM:801353



ASSEMBLY INSTRUCTIONS

ASSEMBLY TIPS:

- 1.Remove hardware from box and sort by size.
- 2.Please check to see that all hardware and parts are present prior to start of assembly.
- 3.Please follow attached instructions in the same sequence as numbered to assure fast & easy assembly.

Warning !!

1. Don't attempt to repair or modify parts that are broken or defective. Please contact the store immediately.
2. This product is for home use only and not intended for commercial establishment.

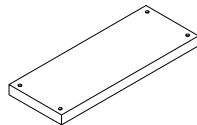


ASSEMBLY TIME

30 MINUTES

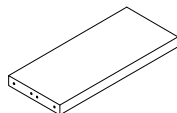
PARTS IDENTIFICATION

(A) TOP



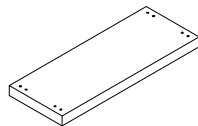
1 PC

(B) SHELF



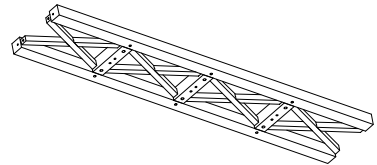
3 PCS

(C) BOTTOM PANEL



1 PC

(D) SIDE FRAME



2 PCS

(E) FOOT



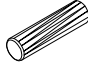





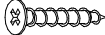
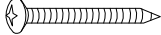
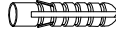
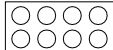
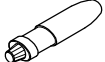


4 PCS

ITEM:801353



HARDWARE IDENTIFICATION

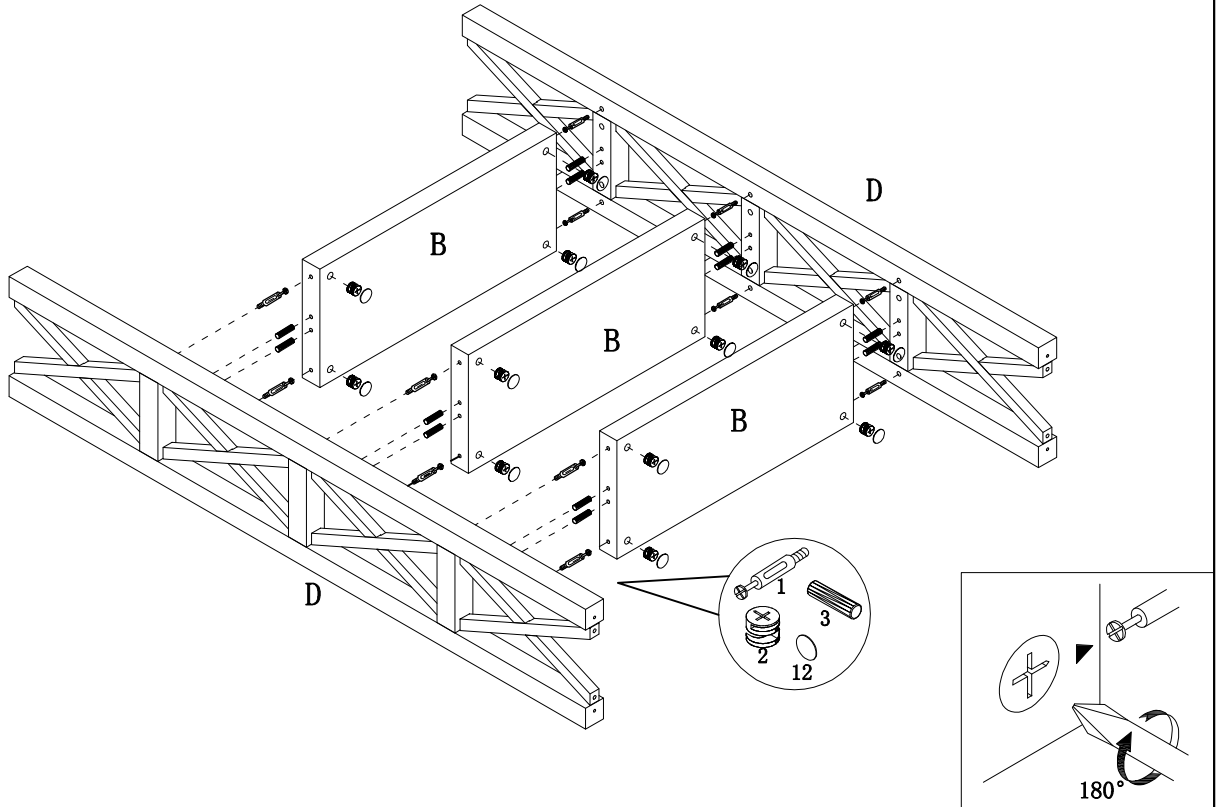
1	CAMBOLT	L29mm		12pcs
2	CAMLOCK	ø15mm		12pcs
3	DOWEL	ø8 × 25mm		20pcs
4	WOOD SCREW	ø7 × 68mm		8pcs
5	WAHSER	ø8 × 16x2mm		8pcs
6	SMALL SCREW	ø4 × 30mm		12pcs
7	ANTI-TIP STRAP	197 × 5 × 1mm		1 pc
8	BRACKET	12 × 12 × 1mm		2 pcs
9	LARGE SCREW	ø4x25mm		1 pc
10	WALL SCREW	ø5 × 40mm		1 pc
11	PLASTIC WALL ANCHOR	ø8 × 40mm		1 pc
12	STICKER	ø22mm		12pcs
13	GLUE			1pc

ITEM: **801353**

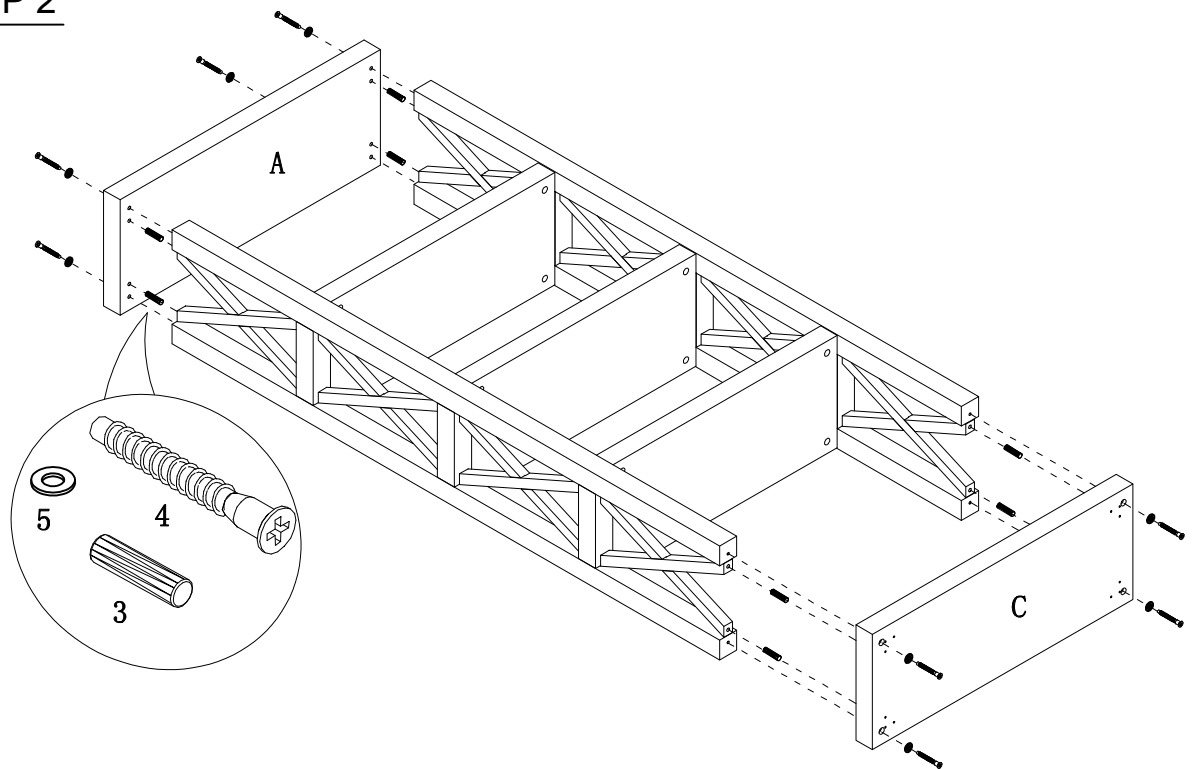
ASSEMBLY INSTRUCTIONS



STEP 1



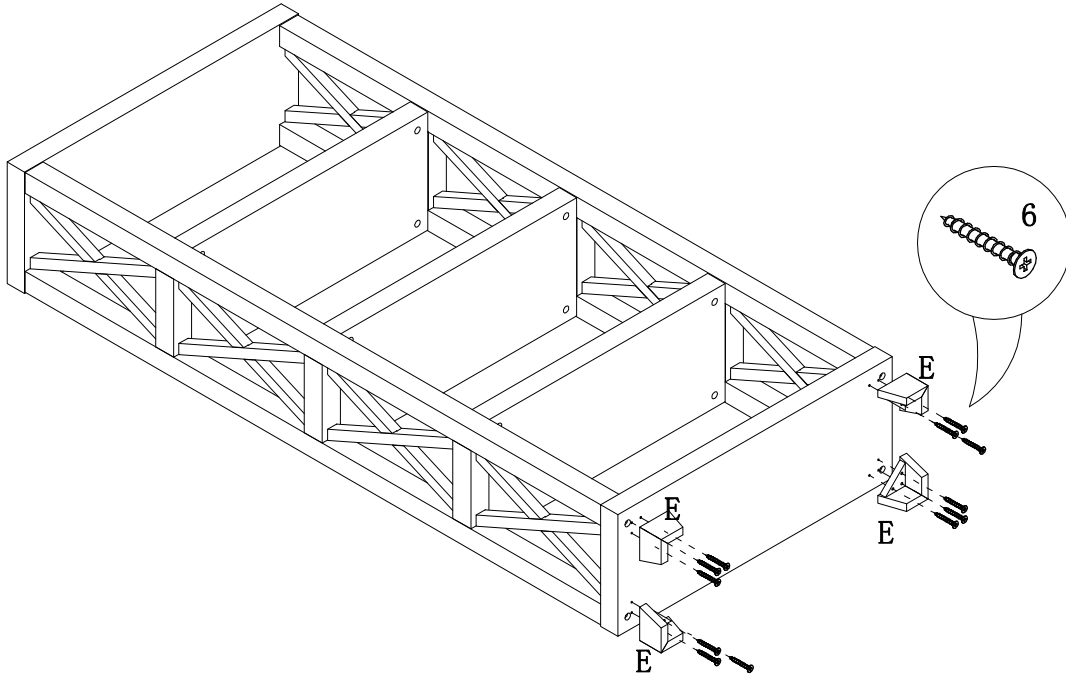
STEP 2



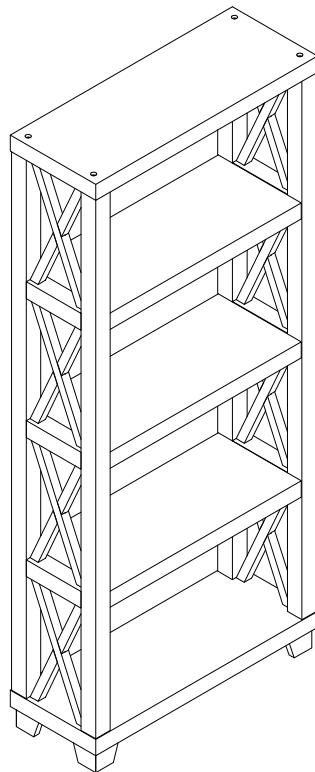
ITEM: **801353**

ASSEMBLY INSTRUCTIONS

STEP 3

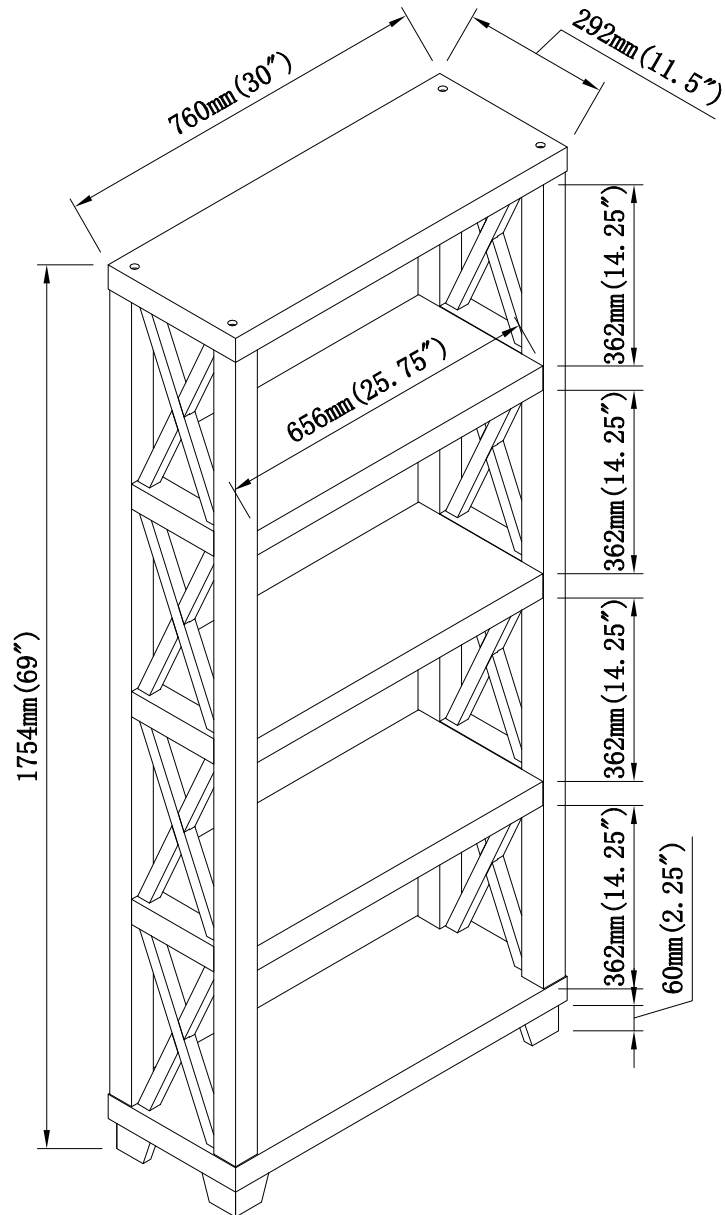


STEP 4



ITEM: **801353**

DIMENSION



ITEM:801353



ANTI-TIPPING INSTALLMENT INSTRUCTIONS

FURNITURE TIPPING RESTRAINT

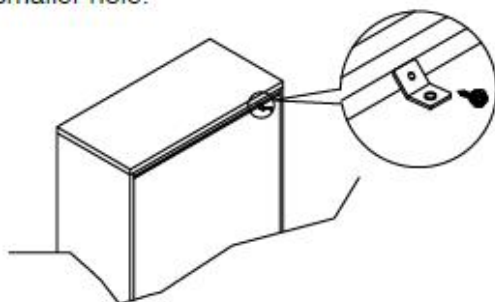
WARNING

Injury may result from tipping furniture.
This restraint may protect against tipping furniture.
Do not allow children to climb on furniture.
This restraint is not a substitute for proper adult supervision.
Failure to detach this restraint before moving the furniture may result in injury and damage.

This tip restraint must be attached to a wall stud using long screw enclosed.

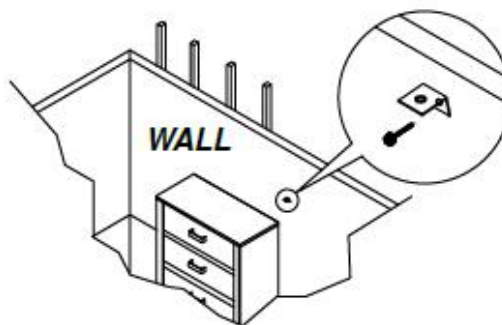
STEP 1

Attach a bracket securely to the back top rail to the furniture using short screw provided, through the smaller hole.



STEP 2

Locate the other bracket on the wall over a wall stud and two inches below the mounting bracket secured to the back of the furniture. Attach the wall stud using the long screw provided, through the smaller hole.



STEP 3

Place the furniture into position so both mounting brackets are vertically in line. Lace the end of the restraint strap through the larger hole in each mounting bracket. Bring both ends together and slide the flat end through the locking and draw it until all slack is removed. Confirm that the strap is securely laced and locked.

