

ASSEMBLY INSTRUCTIONS
COASTER FINE FURNITURE



Fine Furniture for every stage of life

802488

Computer Desk

ITEM:802488

ASSEMBLY INSTRUCTIONS



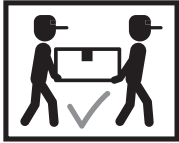
ASSEMBLY TIPS:

1. Remove hardware from box and sort by size.
2. Please check to see that all hardware and parts are present prior to start of assembly.
3. Please follow attached instructions in the same sequence as numbered to assure fast & easy assembly.



WARNING!

1. Don't attempt to repair or modify parts that are broken or defective. Please contact the store immediately.
2. This product is for home use only and not intended for commercial establishments.






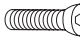
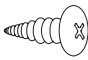
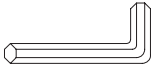
ASSEMBLY TIME

6 MINUTES

PARTS IDENTIFICATION

A		SIDE FRAME	2PCS	I		LEFT GLIDE	1PC
B		TOP CROSSBAR	2PCS	J		RIGHT GLIDE	1PC
C		BACK FRAME	1PC	K		SHELF	2PCS
D		RIGHT GLIDE FRAME	1PC	L		KEYBOARD SHELF	1PC
E		LEFT GLIDE FRAME	1PC	M		TOP SHELF	1PC
F		TOP MIDDLE FRAME	2PCS	N		SECOND SHELF	1PC
G		TOP SIDE FRAME	2PCS	O		DESK TOP	1PC
H		TOP SHELF CROSSBAR	1PC				

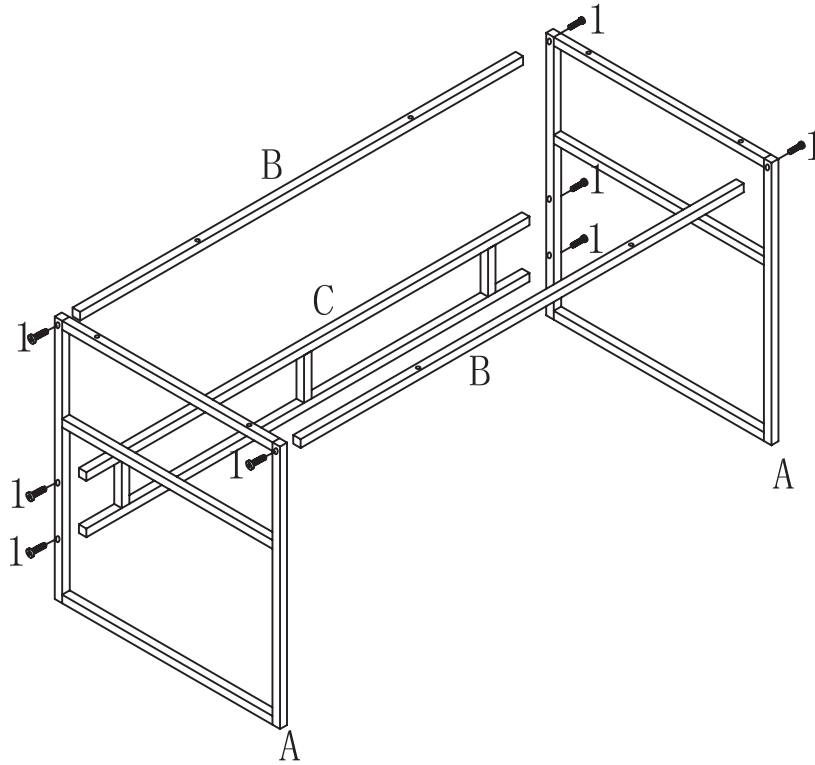
Z HARDWARE IDENTIFICATION

DESCRIPTION	FIGURE	Q'TY
1 SHORT BOLT M6*40		10PCS
2 LARGE BOLT M6*30		24PCS
3 LARGE BOLT M6*25		8PCS
4 COUNTERSUNK HEAD BOLT M6*40		4PCS
5 SHORT WOOD SCREW M4*12		10PCS
6 ALLEN WRENCH M4		1PC

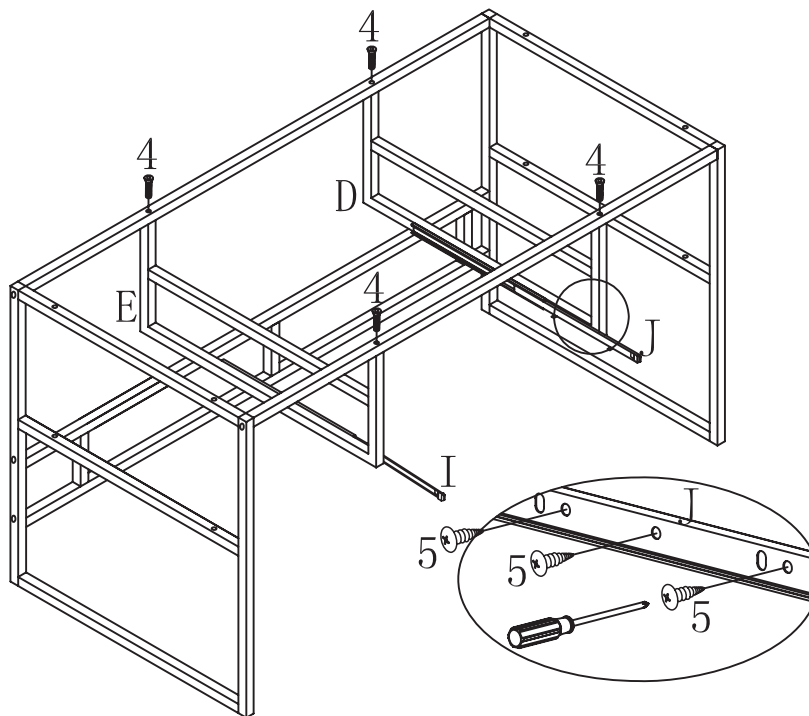
ITEM:802488

ASSEMBLY INSTRUCTIONS

STEP 1



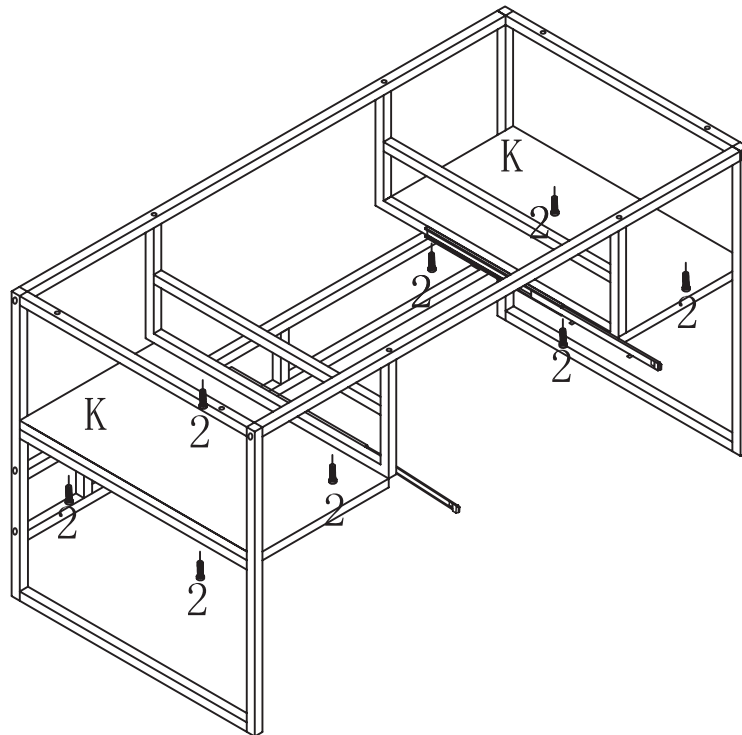
STEP 2



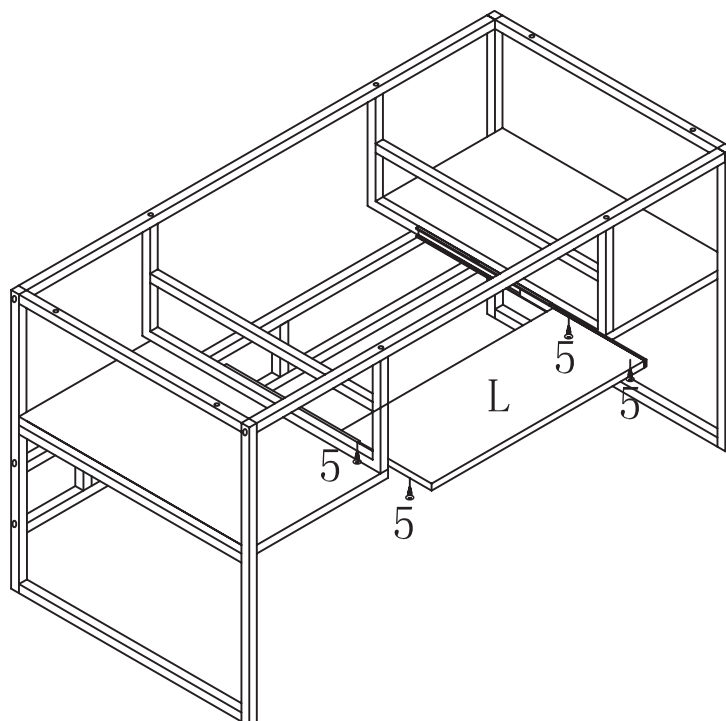
ITEM:802488

ASSEMBLY INSTRUCTIONS

STEP 3



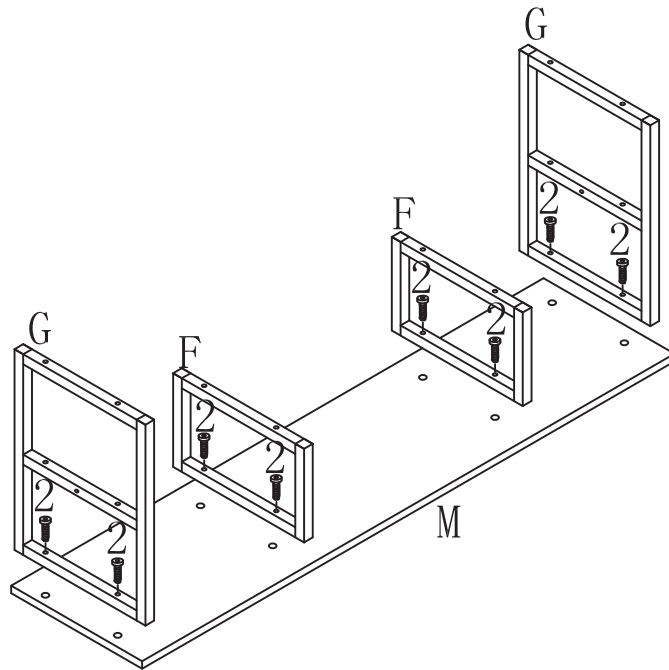
STEP 4



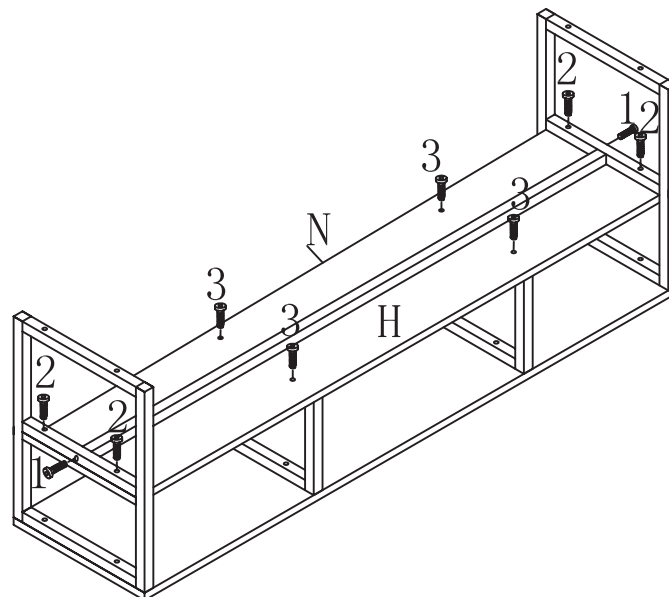
ITEM:802488

ASSEMBLY INSTRUCTIONS

STEP 5



STEP 6



ITEM:802488

COASTER
FINE FURNITURE

