

ASSEMBLY INSTRUCTIONS
COASTER FINE FURNITURE



Fine Furniture for every stage of life

400322
Storage Trundle

REVISION 0 : 05/24/2016
REVISION 1 : 10/27/2016
REVISION 2 : 02/24/2020

ITEM: 400322

ASSEMBLY INSTRUCTIONS

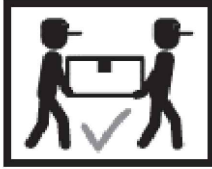
ASSEMBLY TIPS:

1. Remove hardware from box and sort by size.
2. Please check to see that all hardware and parts are present prior to start of assembly.
3. Please follow attached instructions in the same sequence as numbered to assure fast & easy assembly.



WARNING!

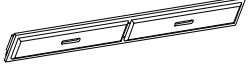





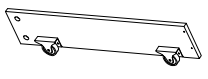




1. Don't attempt to repair or modify parts that are broken or defective. Please contact the store immediately.
2. This product is for home use only and not intended for commercial establishments.









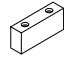
ASSEMBLY TIME

20 MINUTES

PARTS IDENTIFICATION

A	FRONT PANEL		1PC	G	LEFT BOTTOM PANEL		1PC
B	BACK PANEL		1PC	H	DIVIDER		1PC
C	LEFT SIDE PANEL WITH CASTER		1PC	I	BOTTOM RAIL		4PCS
D	RIGHT SIDE PANEL WITH CASTER		1PC	J	CENTER BOTTOM RAIL		2PCS
E	CENTER BOTTOM PANEL		3PCS	K	CASTER WITH SCREW (4 x 15mm - BLK)		4SETS
F	RIGHT BOTTOM PANEL		1PC				

HARDWARE IDENTIFICATION

1	LONG BOLT (1/4 x 60mm Φ 12 - BLK)		4PCS	5	HALF ROUND NUT (1/4 x 22mm - BLK)		4PCS
2	SHORT BOLT (1/4 x 30mm Φ 12 - BLK)		4PCS	6	WOOD DOWEL (8 x 30mm)		2PCS
3	FLAT HEAD SCREW (4 x 35mm - BLK)		16PCS	7	ALLEN WRENCH (4 x 58MM - BLK)		1PC
4	WOOD RAIL (20 x 45 x 50mm)		2PCS				

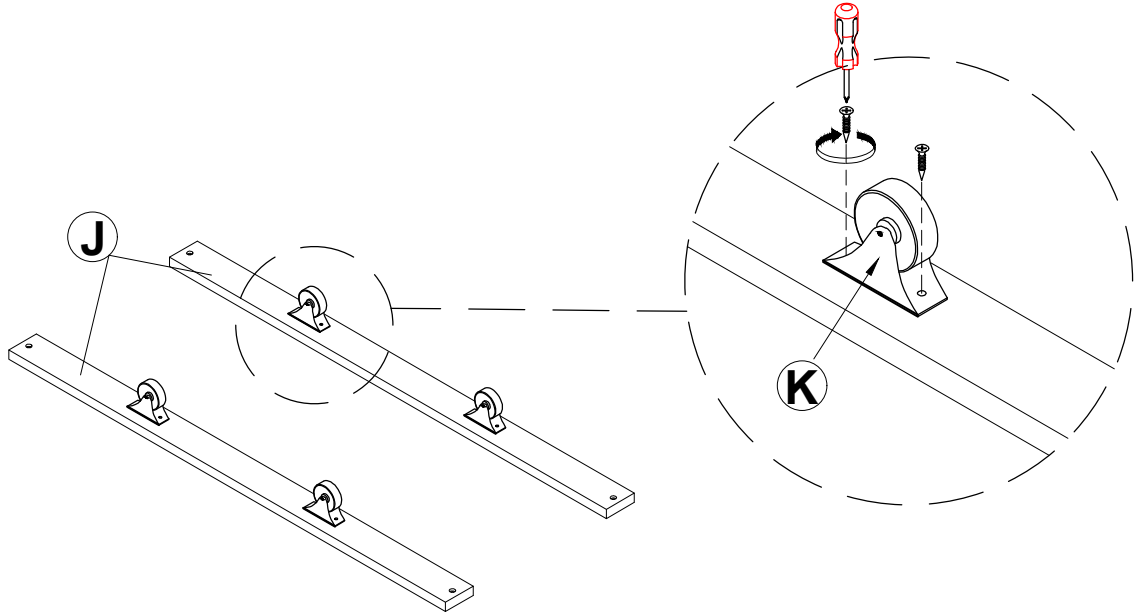
NOTE:

Phillips head screw driver is required in the assembly process; however, manufacturer does not provide this item.

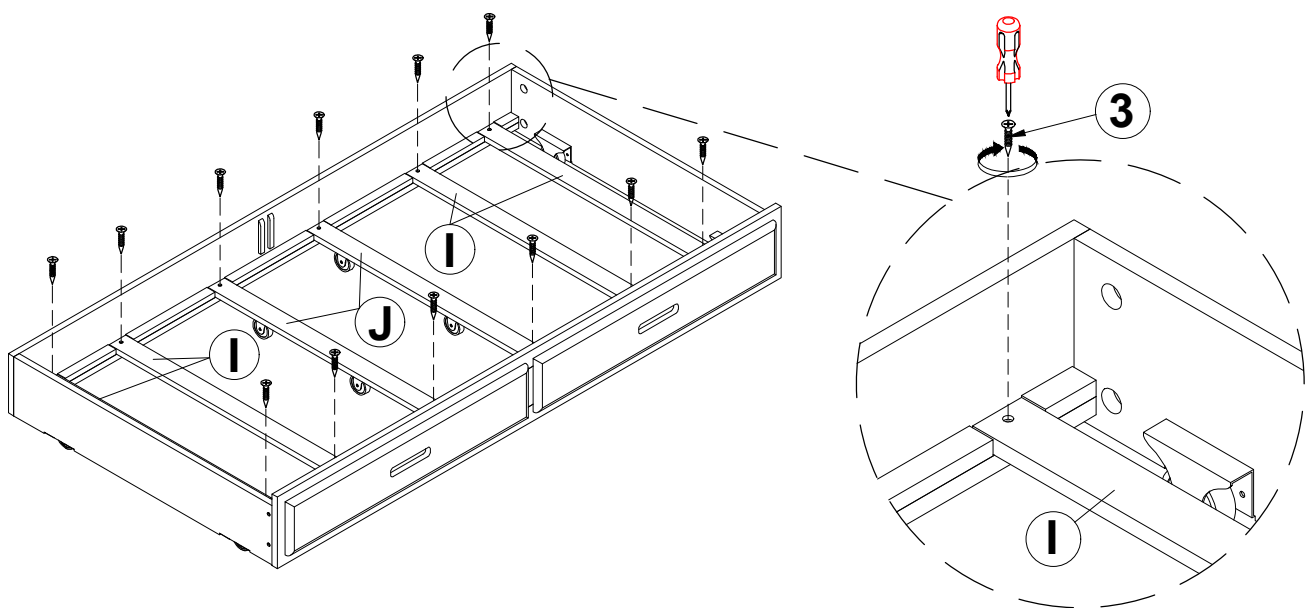
ITEM: 400322

ASSEMBLY INSTRUCTIONS

STEP 3

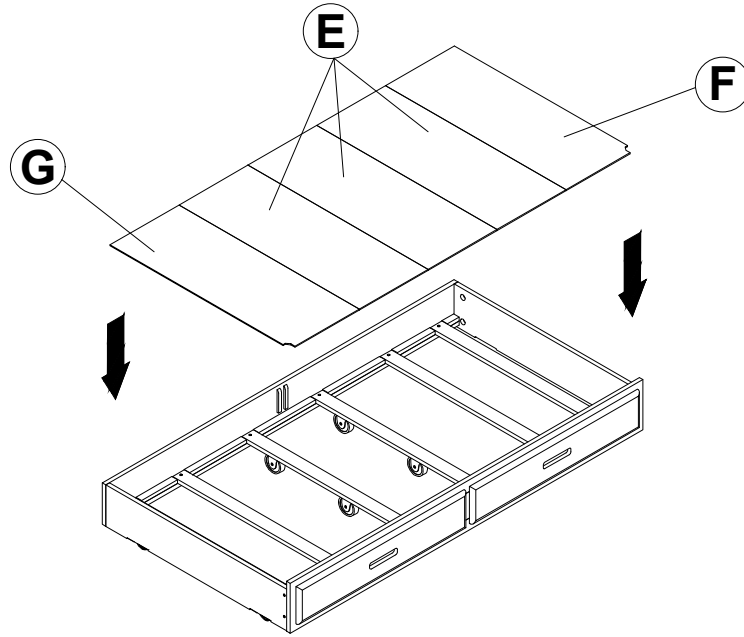


STEP 4

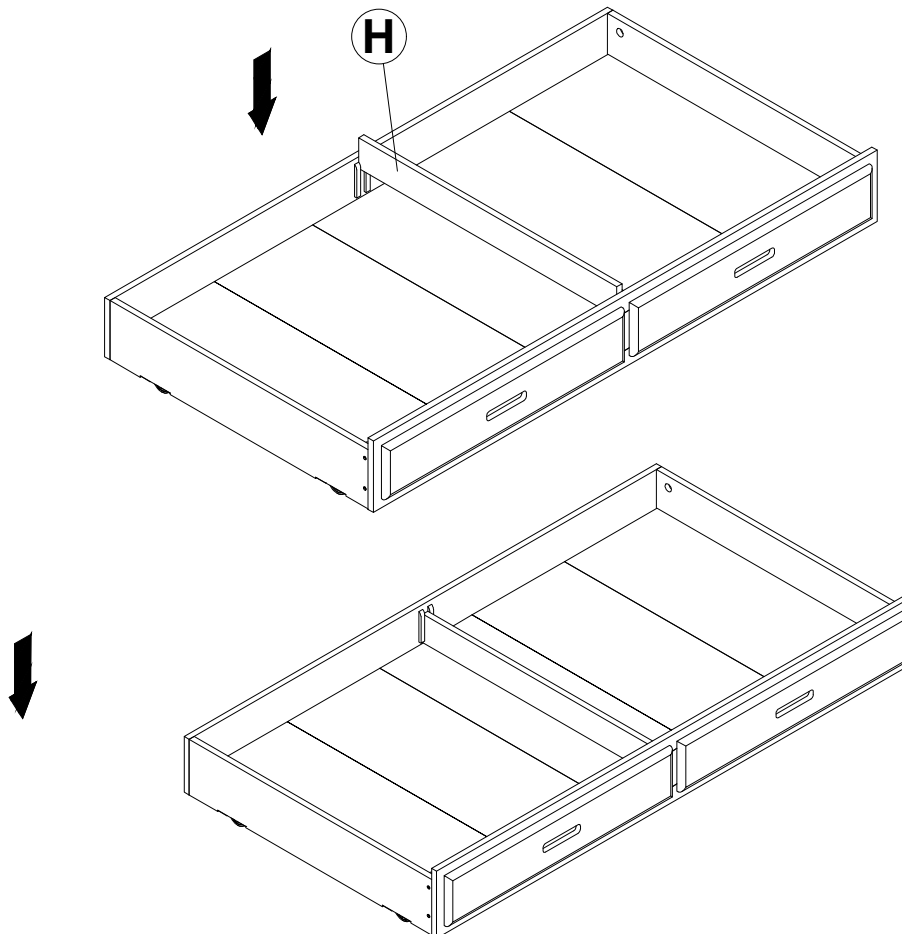


ITEM: 400322
ASSEMBLY INSTRUCTIONS

STEP 5

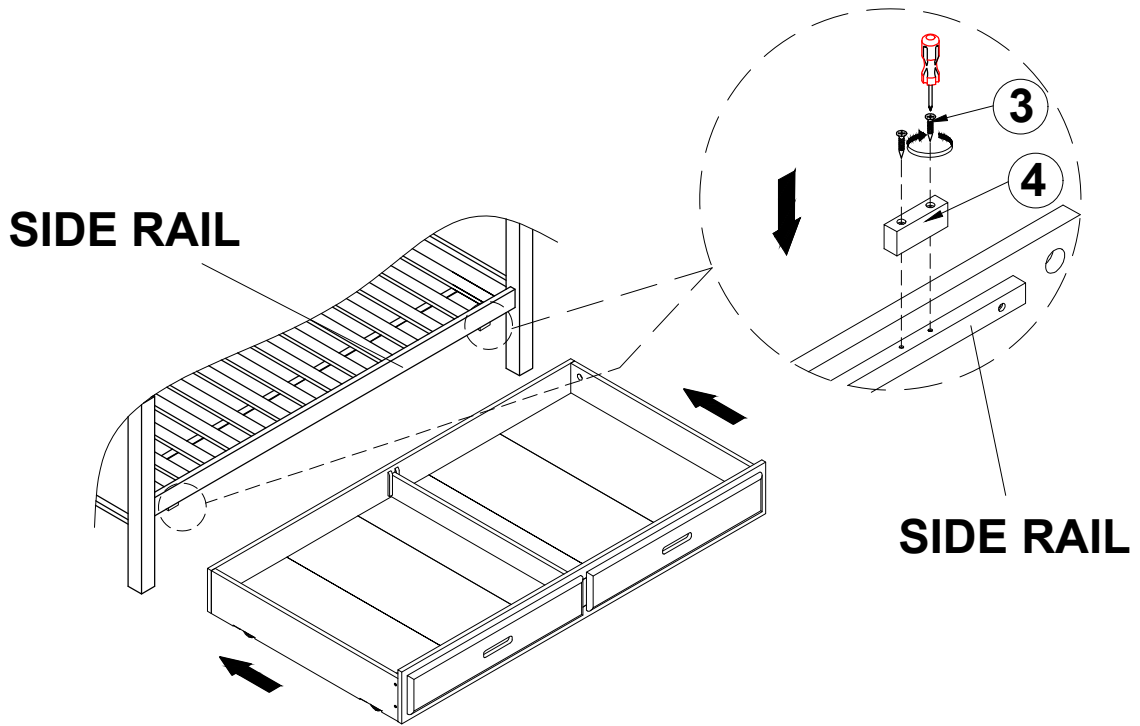


STEP 6

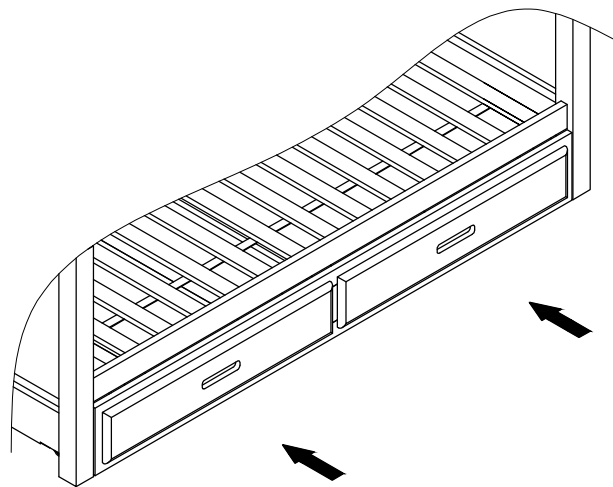


ITEM: 400322
ASSEMBLY INSTRUCTIONS

STEP 7



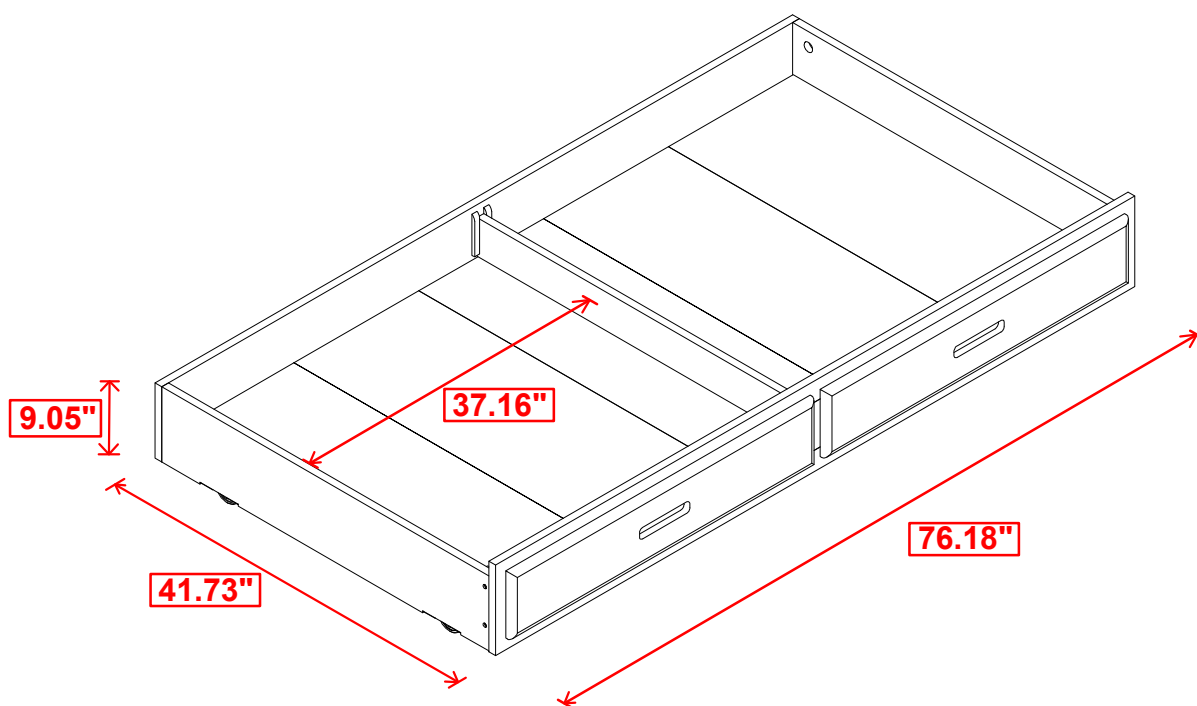
STEP 8
COMPLETE



ITEM: 400322

COASTER
FINE FURNITURE

INNER SIZE: 75" X 39.37" X 6.29"



Note: Dimension tolerance $\pm 5\%$