

ASSEMBLY INSTRUCTIONS
COASTER FINE FURNITURE



Fine Furniture for every stage of life

950355
CONSOLE TABLE

ITEM: **950355**



ASSEMBLY INSTRUCTIONS

ASSEMBLY TIPS:

1. Remove hardware from box and sort by size.
2. Please check to see that all hardware and parts are present prior to start of assembly.
3. Please follow attached instructions in the same sequence as numbered to assure fast & easy assembly.



WARNING!

1. Don't attempt to repair or modify parts that are broken or defective. Please contact the store immediately.
2. This product is for home use only and not intended for commercial establishments.



ASSEMBLY TIME

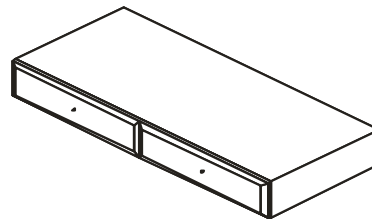
20 MINUTES

PARTS IDENTIFICATION

A TOP

1 PC

The mirror part provided in this package is not a tempered mirror. Please handle with care. Mirror part may explode.



B FRONT LEG

2 PCS



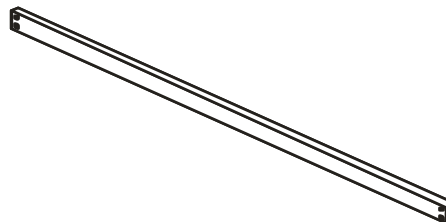
C BACK LEG

2 PCS



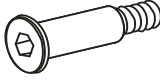

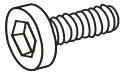




D CROSS BRACE

1 PC



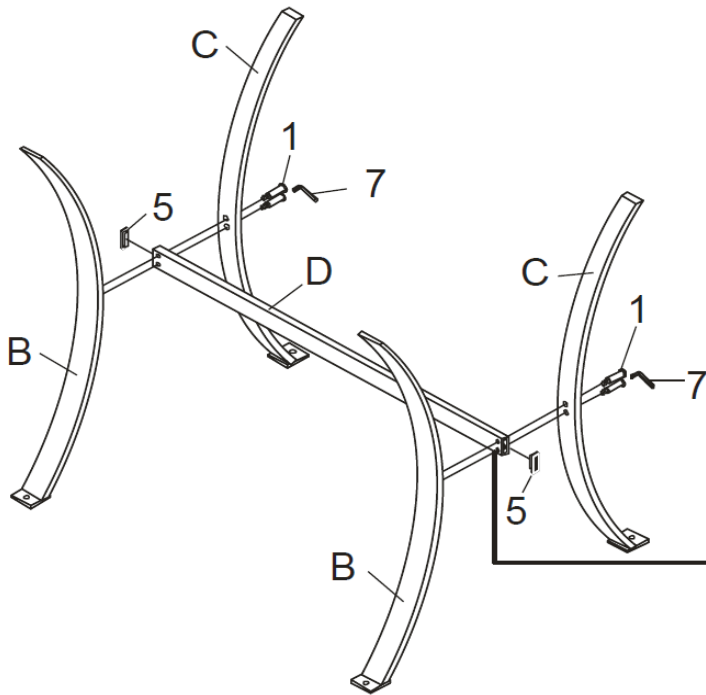
ASSEMBLY INSTRUCTIONS

HARDWARE IDENTIFICATION

1	ALLEN SCREW (1/4" x 1-1/4" SR)		4 PCS
2	KNOB (Ø25 x 25mm SR)		2 PCS
3	ALLEN SCREW (1/4" x 5/8" SR)		4 PCS
4	BOLT (5/32" x 1-3/8" SR)		2 PCS
5	CAP (13mm x 38mm SR)		2 PCS
6	WASHER (13mm x 1.5mm)		2 PCS
7	ALLEN WRENCH (4mm x 55mm SR)		1 PC

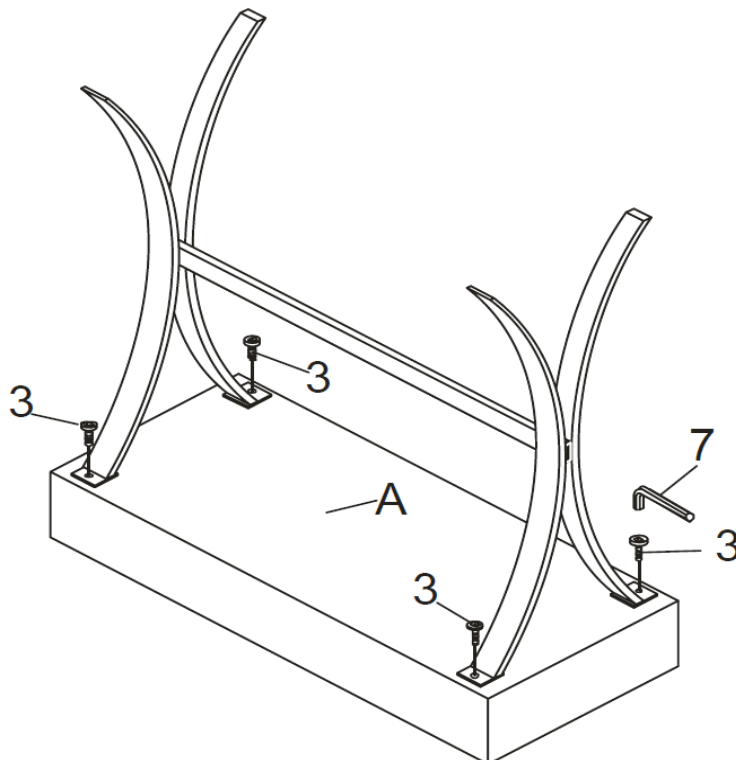
ITEM: **950355**

ASSEMBLY INSTRUCTIONS
STEP 1



Warning:
Please keep the small hole of cross bar in the front and bigger hole in the back.

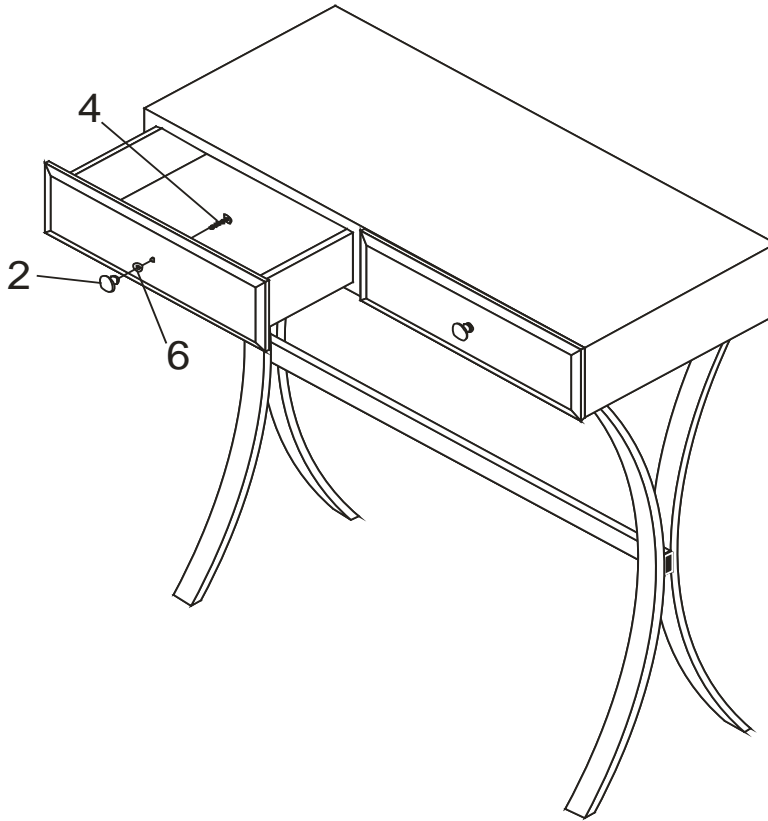
STEP 2



ITEM: **950355**

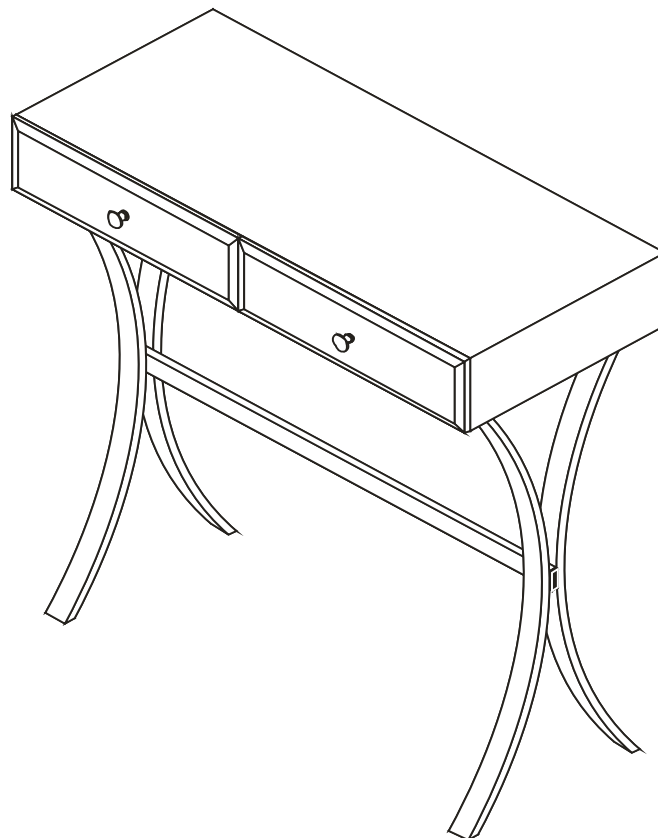


ASSEMBLY INSTRUCTIONS
STEP 3

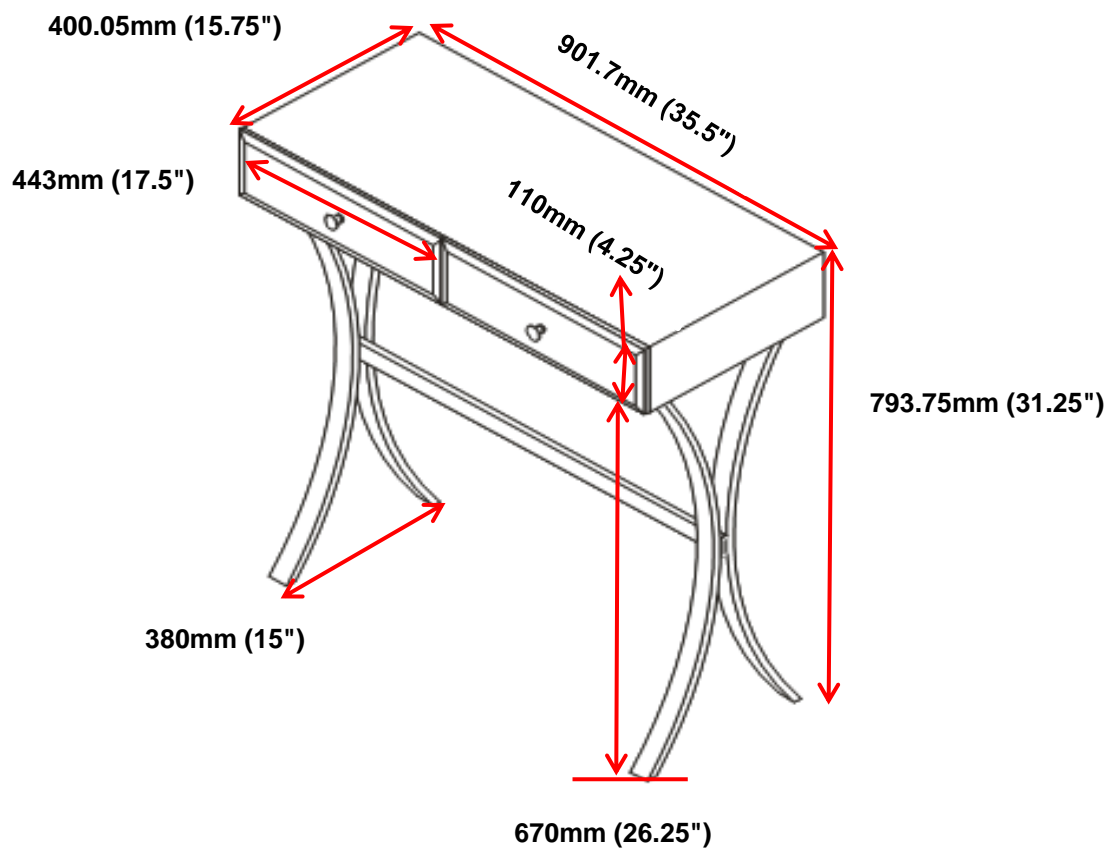


STEP 4

COMPLETE



ITEM: **950355**



Note : Dimension tolerance $\pm 5\%$