

*ASSEMBLY INSTRUCTIONS*  
*COASTER FINE FURNITURE*



*Fine Furniture for every stage of life*

**223037 (B1-B3)**  
**Vanity Desk**

# ITEM: 223037 (B1-B3)

## ASSEMBLY INSTRUCTIONS

### ASSEMBLY TIPS:

1. Remove hardware from box and sort by size.
2. Please check to see that all hardware and parts are present prior to start of assembly.
3. Please follow attached instruction in the same sequence as numbered to assure fast and easy assembly.



### WARNING !

1. Don't attempt to repair or modify parts that are broken or defective. Please contact the store immediately.
2. This product is for home use only and not intended for commercial establishment.



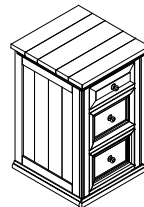
ASSEMBLY TIME

10 MINUTES

## PARTS IDENTIFICATION

### B1 (BOX 1)

A LEFT VANITY DESK



1 PC

B LEG



4 PCS

### B2 (BOX 2)

C RIGHT VANITY DESK



1 PC

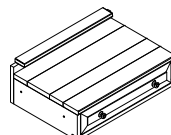
D LEG



4 PCS

### B3 (BOX 3)

E CENTER VANITY DESK



1 PC

# ITEM: 223037 (B1-B3)

## ASSEMBLY INSTRUCTIONS

### ASSEMBLY TIPS:

1. Remove hardware from box and sort by size.
2. Please check to see that all hardware and parts are present prior to start of assembly.
3. Please follow attached instruction in the same sequence as numbered to assure fast and easy assembly.



### WARNING !


1. Don't attempt to repair or modify parts that are broken or defective. Please contact the store immediately.
2. This product is for home use only and not intended for commercial establishment.

## HARDWARE IDENTIFICATION

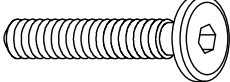
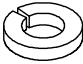


### Z-B1 (BOX 1) - HARDWARE PACK IS LOCATED IN 223037 (B1)

- |   |  |   |       |
|---|--|---|-------|
| 1 | <b>THREADED BOLT</b><br>(3/8" x 2 3/4" - SR) |  | 4 PCS |
|---|--|---|-------|

### Z-B2 (BOX 2) - HARDWARE PACK IS LOCATED IN 223037 (B2)

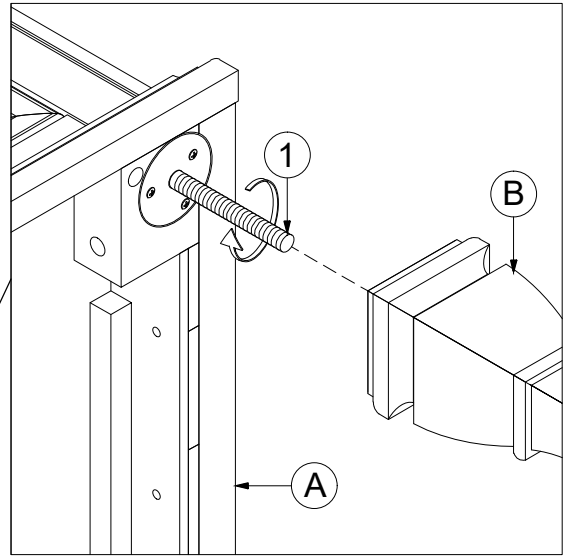
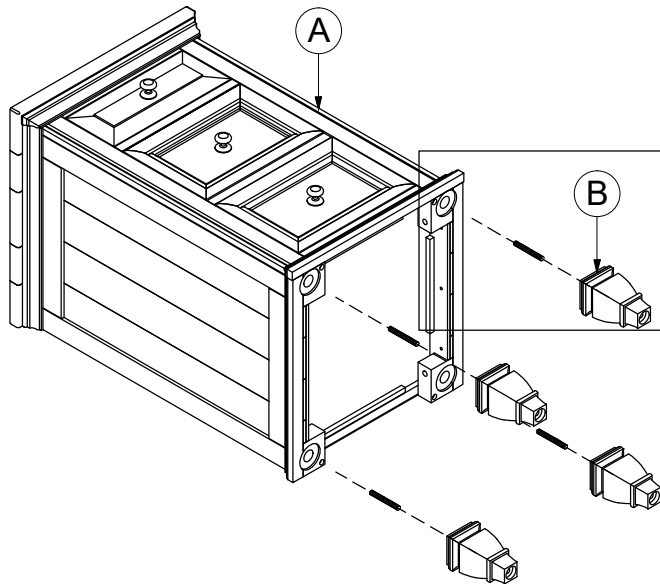
- |   |  |   |       |
|---|--|---|-------|
| 2 | <b>THREADED BOLT</b><br>(3/8" x 2 3/4" - SR) |  | 4 PCS |
|---|--|---|-------|

### Z-B3 (BOX 3) - HARDWARE PACK IS LOCATED IN 223037 (B3)

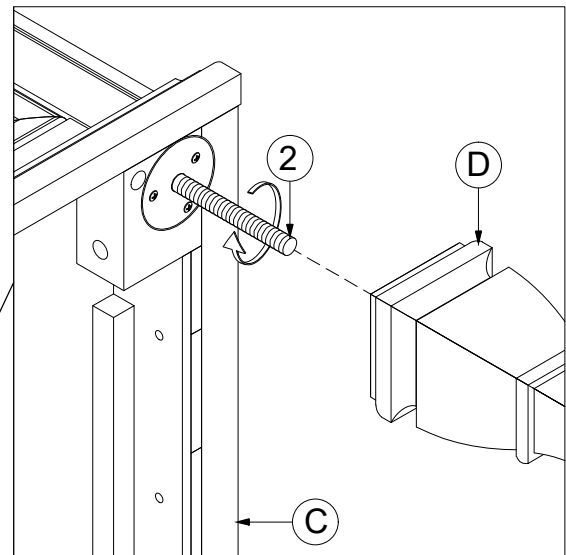
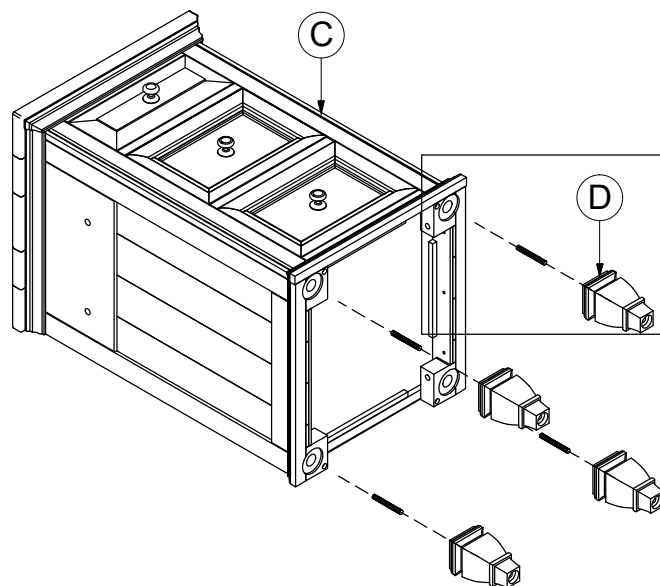
- |   |                                   |   |       |
|---|-----------------------------------|---|-------|
| 3 | <b>BOLT</b><br>(M6 x 50mm - BLK)  |  | 4 PCS |
| 4 | <b>LOCK WASHER</b><br>(M6 - BLK)  |  | 4 PCS |
| 5 | <b>FLAT WASHER</b><br>(M6 - BLK)  |  | 4 PCS |
| 6 | <b>ALLEN WRENCH</b><br>(M4 - BLK) |  | 1 PC  |

# ITEM: 223037 (B1-B3)

## ASSEMBLY INSTRUCTIONS LEFT VANITY DESK (BOX 1) STEP 1



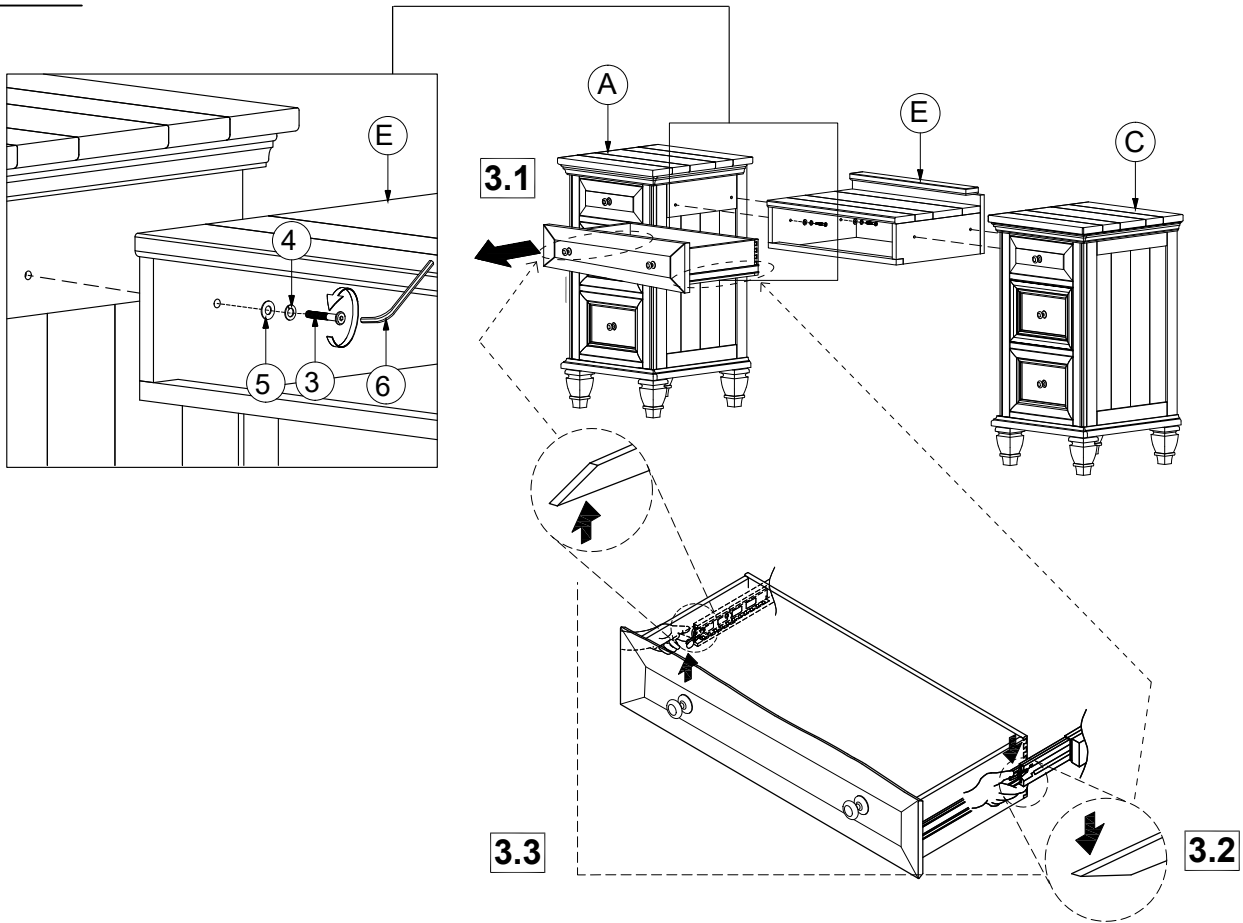
## RIGHT VANITY DESK (BOX 2) STEP 2



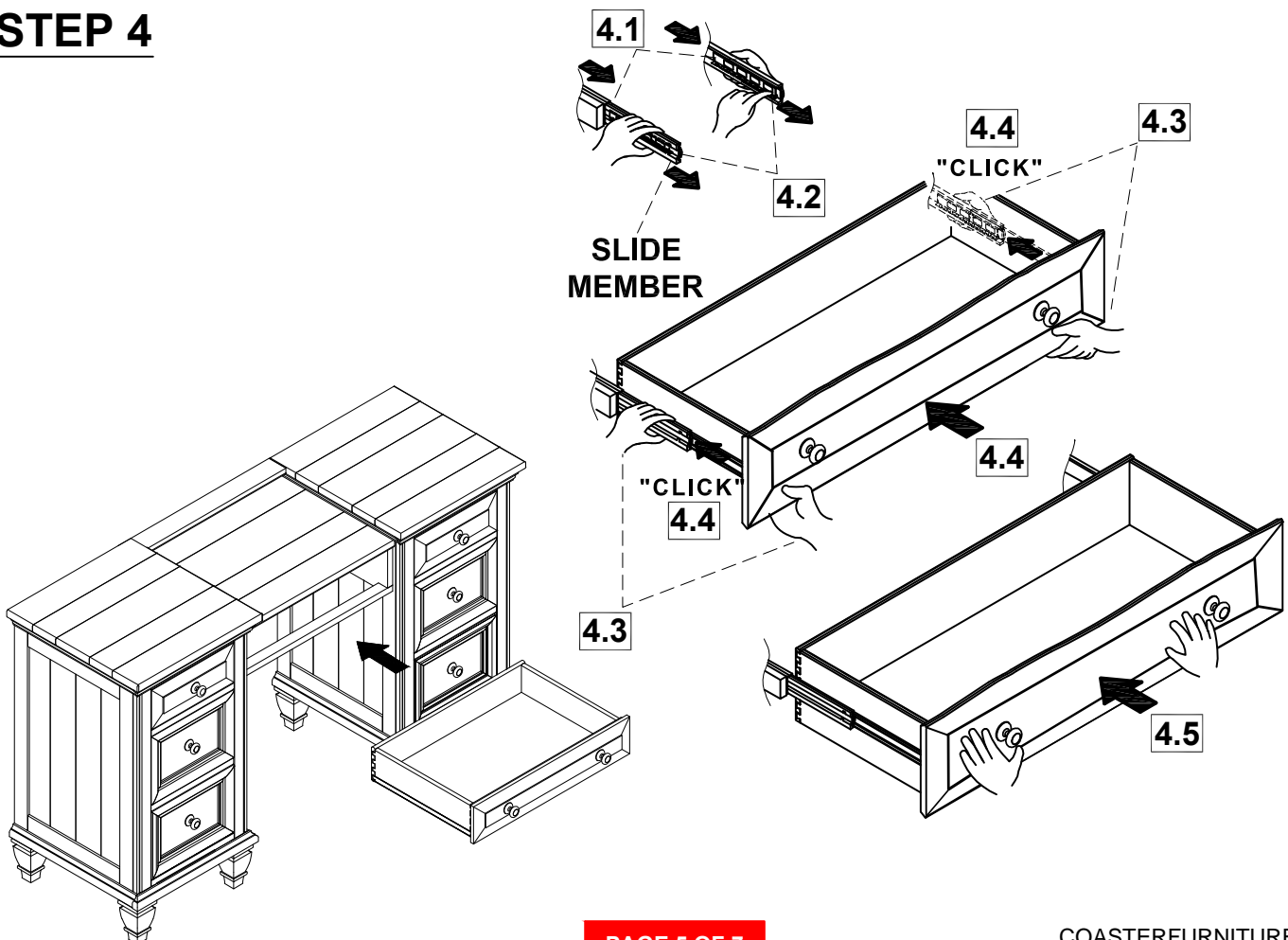
# ITEM: 223037 (B1-B3)

## ASSEMBLY INSTRUCTIONS

### STEP 3



### STEP 4



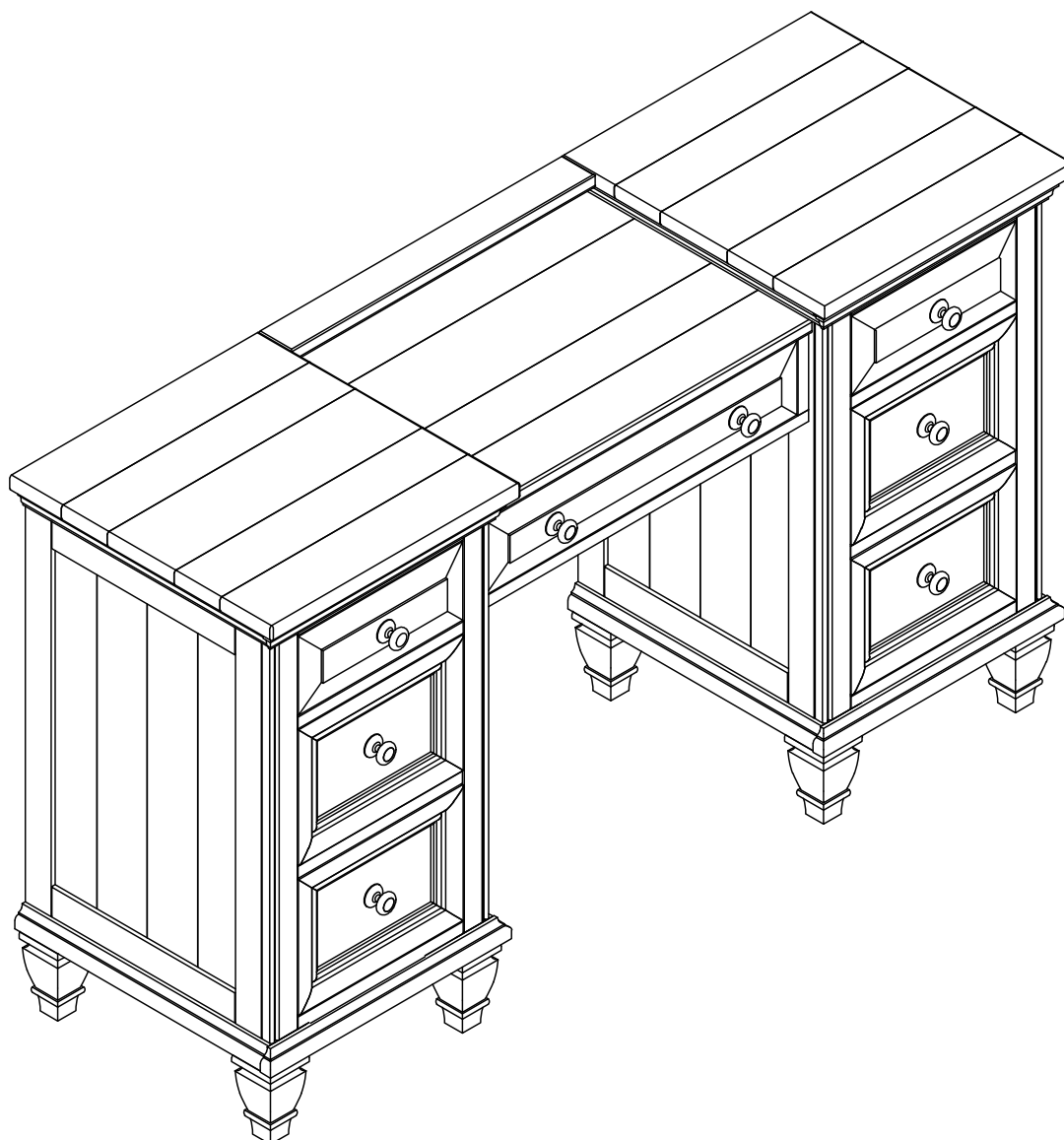
ITEM: **223037 (B1-B3)**

**ASSEMBLY INSTRUCTIONS**

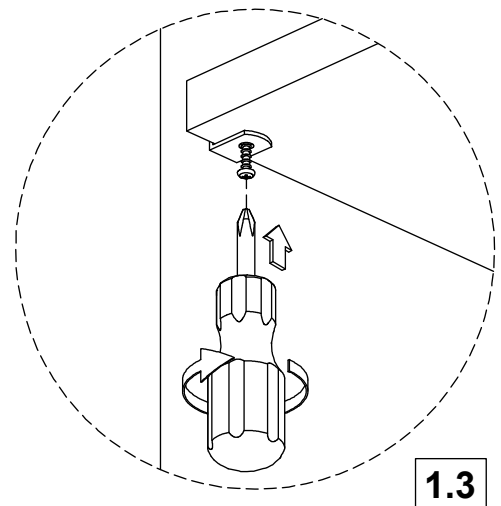
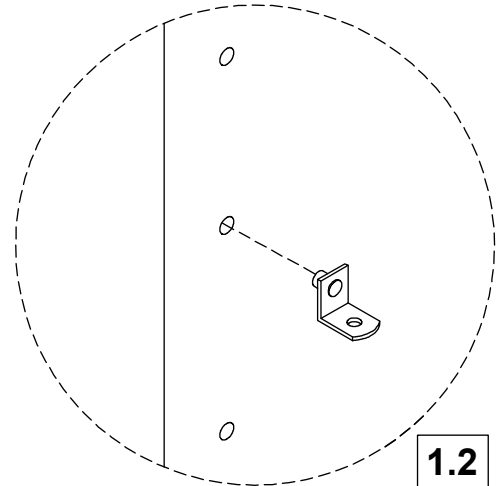
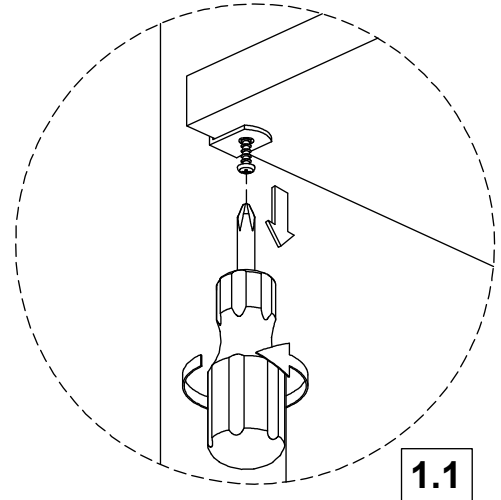
**STEP 3**

**COMPLETE**

**COASTER**  
FINE FURNITURE



**OPTIONAL ADJUSTABLE SHELF**

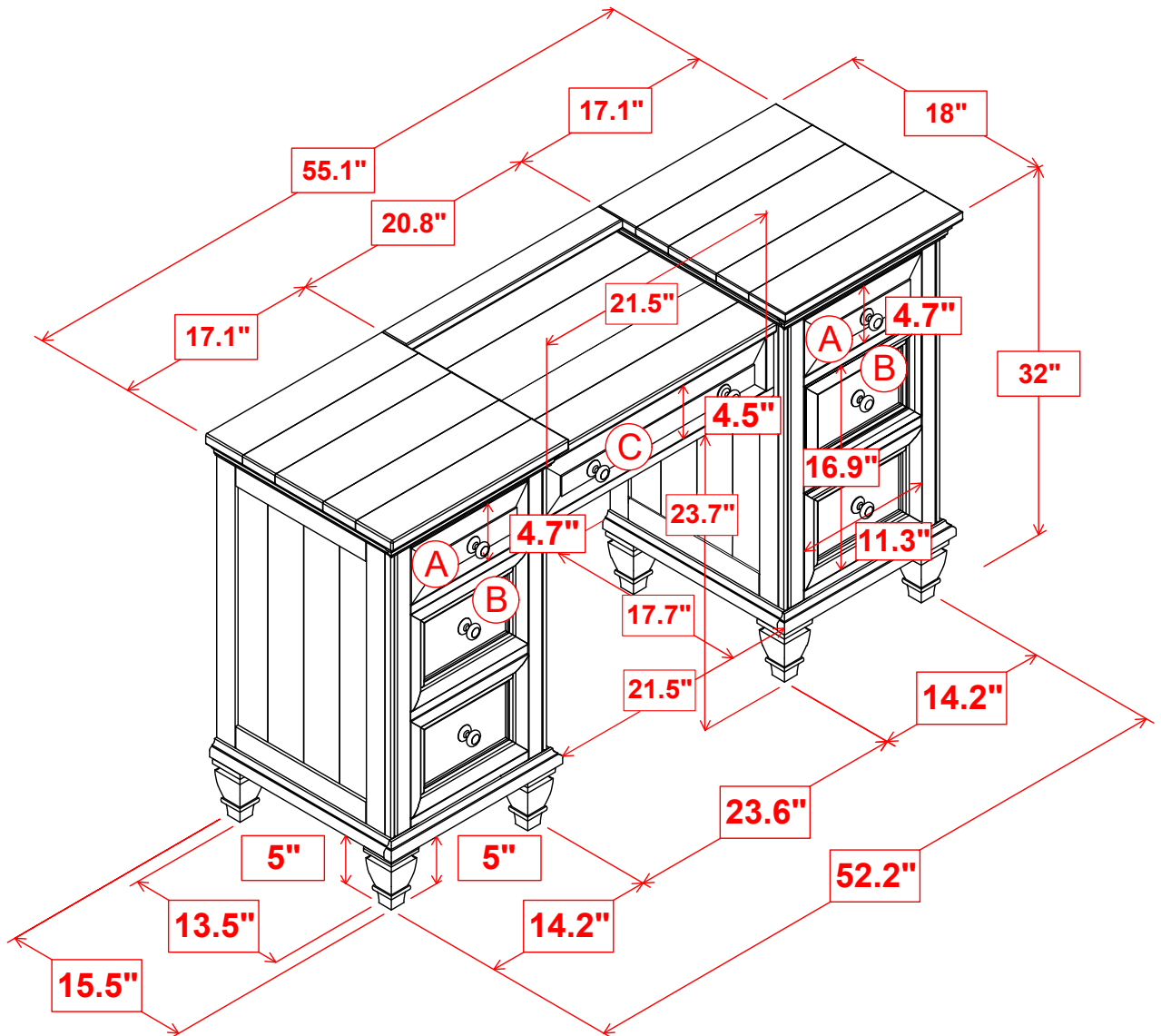


**NOTE:**

Phillips head screw driver is required in the assembly process; however, manufacturer does not provide this item.

# ITEM: 223037 (B1-B3)

**INNER SIZE OF DRAWER (A) : 9.5"W x 13.1"D X 3.38"H**  
**INNER SIZE OF DRAWER (B) : 9.5x 13.1"D X 1.8"H**  
**INNER SIZE OF DRAWER (C) : 19.6"W x 13.1"D X 3.38"H**  
**ADJUSTABLE SHELF : 13.2"W x 15.6"D**



**NOTE:** Dimension tolerance  $\pm 5\%$