



*ASSEMBLY INSTRUCTIONS*  
*COASTER FINE FURNITURE*



*Fine Furniture for every stage of life*

**904031**

**JEWELRY CHEVAL MIRROR**

ITEM : 904031



## ASSEMBLY INSTRUCTIONS

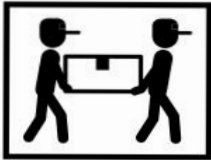
### ASSEMBLY TIPS:

- 1.Remove hardware from box and sort by size.
- 2.Please check to see that all hardware and parts are present prior to start of assembly.
- 3.Please follow attached instruction in the same sequence as numbered to assure fast & easy assembly.



### WARNING!


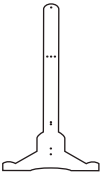


- 1.Don't attempt to repair or modify parts that are broken or defective. Please contact the store
- 2.This product is for home use only and not intended for commercial establishment.







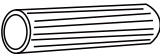


ASSEMBLY TIME

15 MINUTES

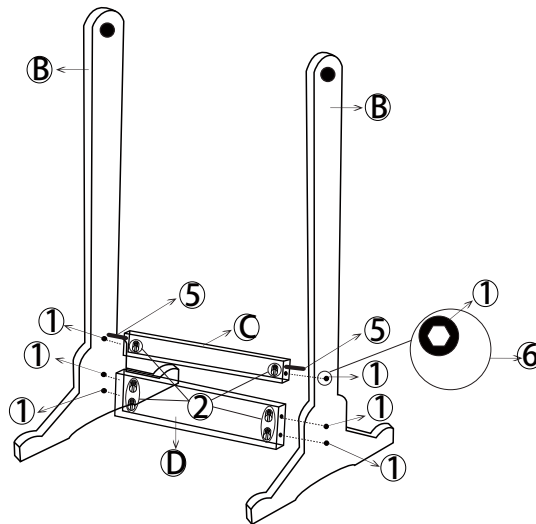
### PARTS IDENTIFICATION:.

A		Mirror cabinet	1PCS
B		Leg	2PCS
C		Top crossbar	1PCS
D		Bottom crossbar	1PCS

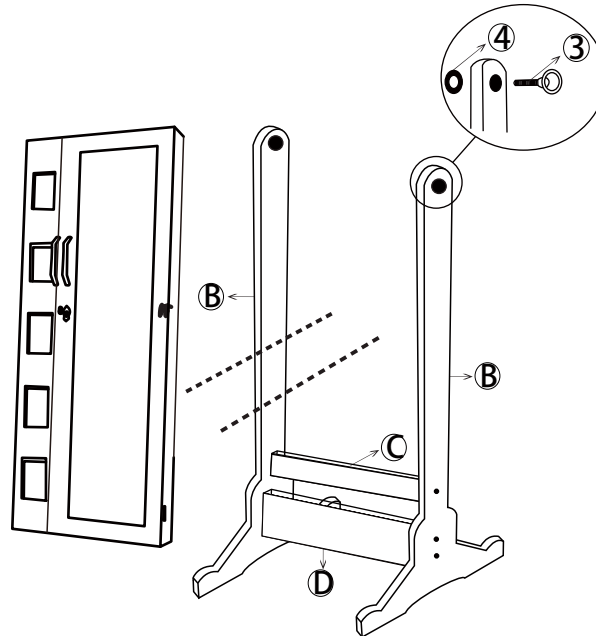
### Z HARDWARE IDENTIFICATION

1		Bolt Ø0.5x4.5mm	6PCS
2		Barrel Nut Ø1x1.1mm	6PCS
3		Eye Bolt Ø0.5x6.5mm	2PCS
4		Plastic washer Ø3mm	2PCS
5		Wooden dowel Ø0.8x3mm	4PCS
6		Allen key M6x6.7	1PCS
7		key	1PCS

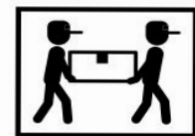
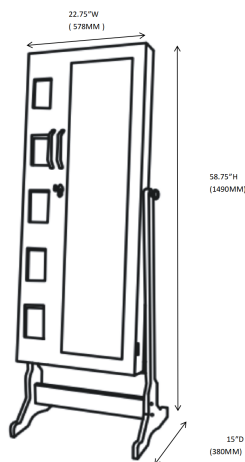
**ITEM : 904031**  
**ASSEMBLY INSTRUCTIONS**  
**STEP 1**



**STEP 2**



**STEP 3**



Note: Dimension tolerance  $\pm 5\%$