

**ASSEMBLY INSTRUCTIONS**  
**COASTER FINE FURNITURE**



*Fine Furniture for every stage of life*

**109142**  
***Dining Chair***

# ITEM: 109142

## ASSEMBLY INSTRUCTIONS

### ASSEMBLY TIPS:

1. Remove hardware from box and sort by size.
2. Please check to see that all hardware and parts are present prior to start of assembly.
3. Please follow attached instruction in the same sequence as numbered to assure fast and easy assembly.



### WARNING !

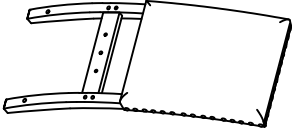
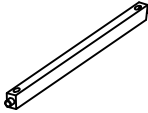
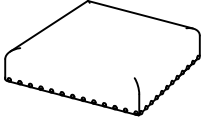
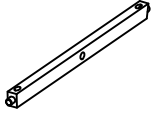

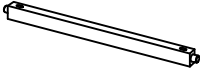

1. Don't attempt to repair or modify parts that are broken or defective. Please contact the store immediately.
2. This product is for home use only and not intended for commercial establishment.






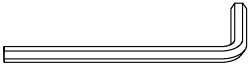
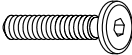


ASSEMBLY TIME

15 MINUTES

## PARTS IDENTIFICATION

AD	BACK FRAME		1PC	ED	LEFT SIDE STRETCHER		1PC
BD	SEAT CUSHION WITH FRAME		1PC	FD	RIGHT SIDE STRETCHER		1PC
CD	LEFT FRONT LEG		1PC	GD	MIDDLE STRETCHER		1PC
DD	RIGHT FRONT LEG		1PC				

## HARDWARE IDENTIFICATION

1	LONG BOLT (M8 x 80mm - BLK)		4PCS	5	FLAT WASHER (M8 - BLK)		10PCS
2	MEDIUM BOLT (M8 x 50mm - BLK)		4PCS	6	ALLEN WRENCH (M5 - BLK)		1PC
3	SHORT BOLT (M8 x 40mm - BLK)		2PCS	7	PAN HEAD SCREW (Ø8 x 1-1/4" - BLK)		6PCS
4	LOCK WASHER (M8 - BLK)		10PCS				

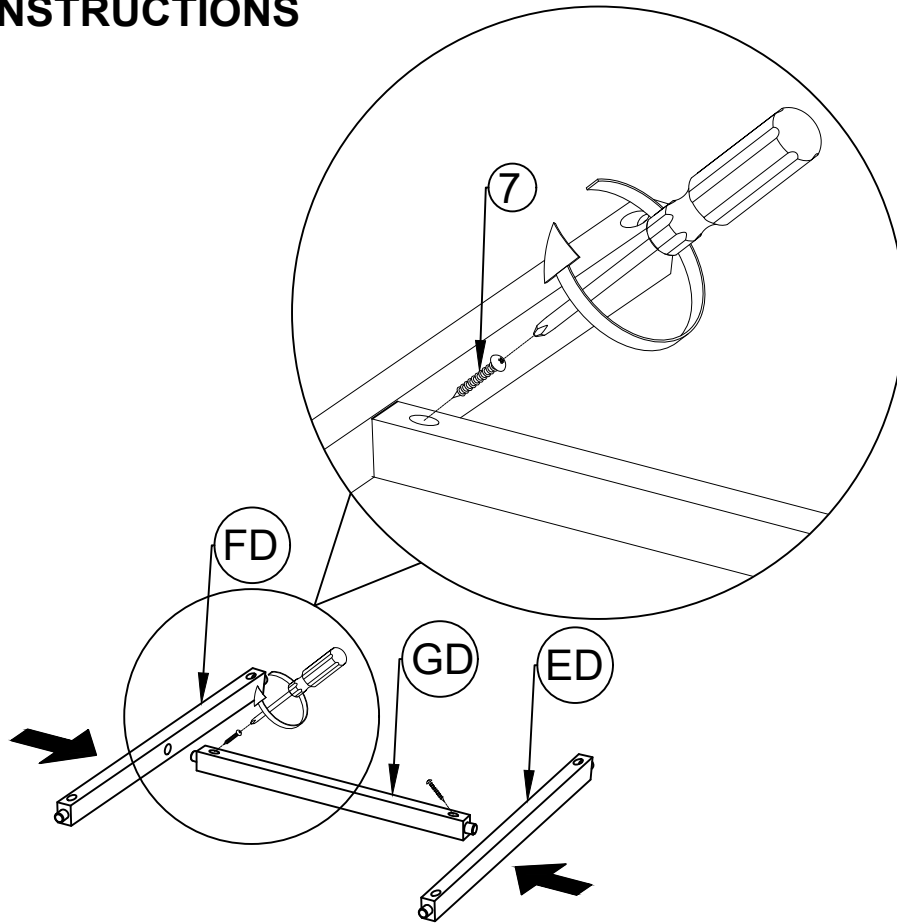
### NOTE:

Quantities shown are for one chair.

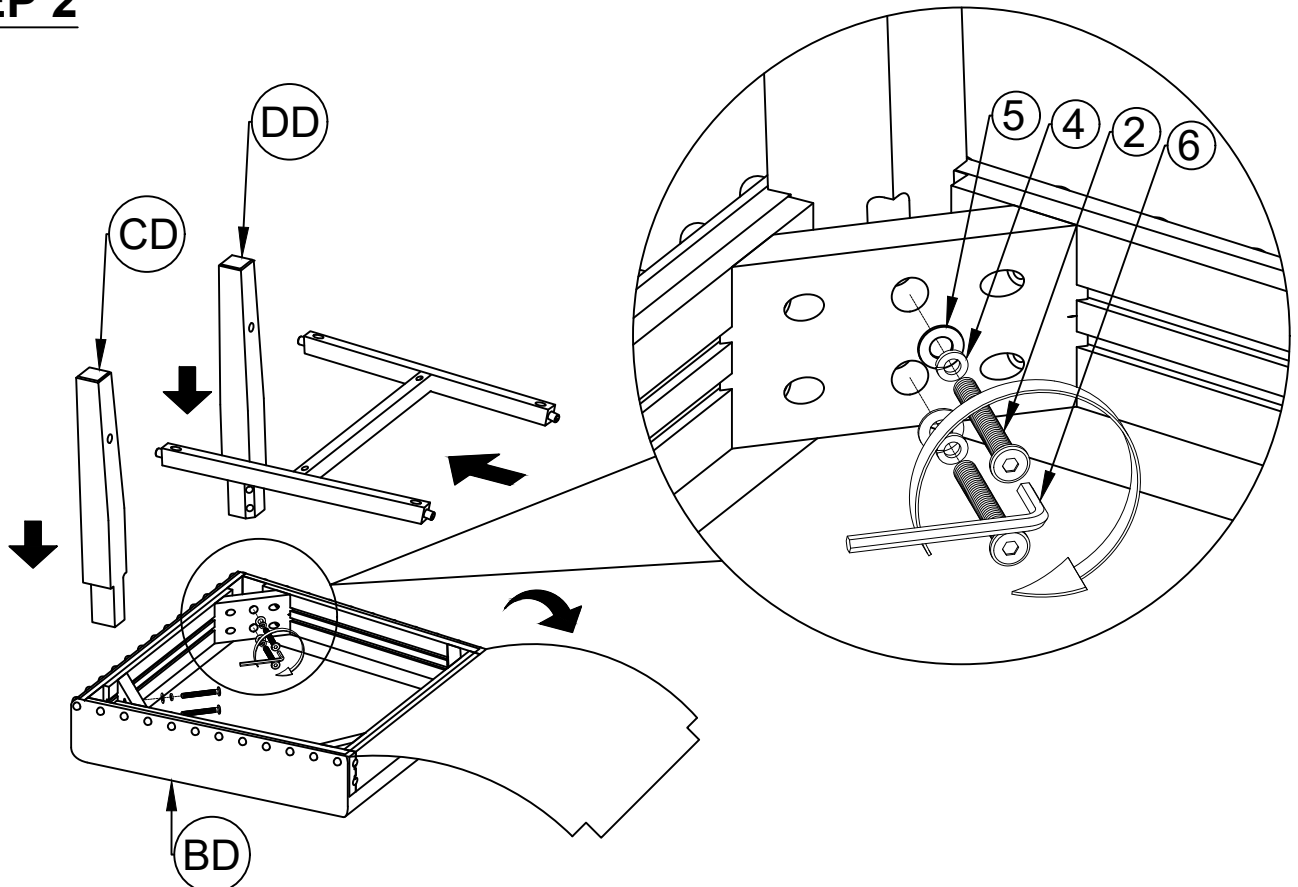
Philips head screw driver is required in the assembly process; however, manufacturer does not provide this item.

ITEM: **109142**  
**ASSEMBLY INSTRUCTIONS**

**STEP 1**

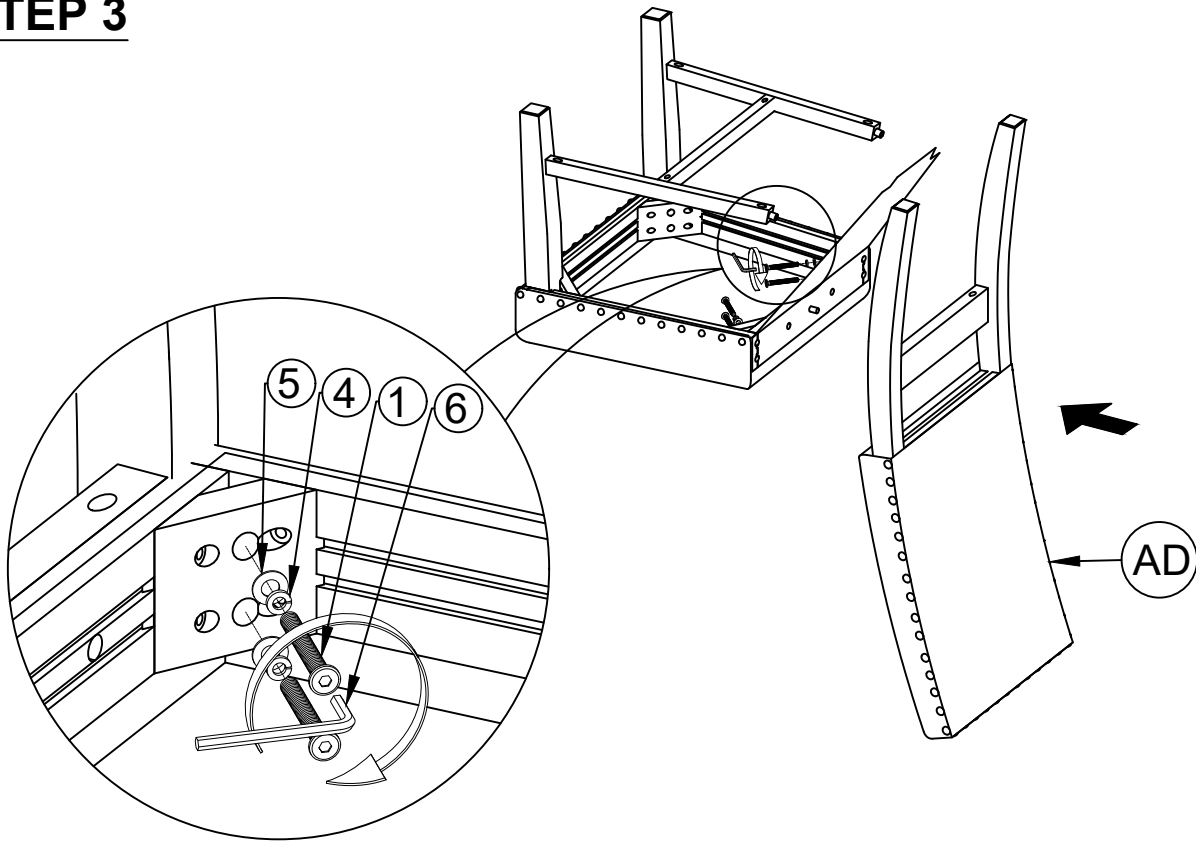


**STEP 2**

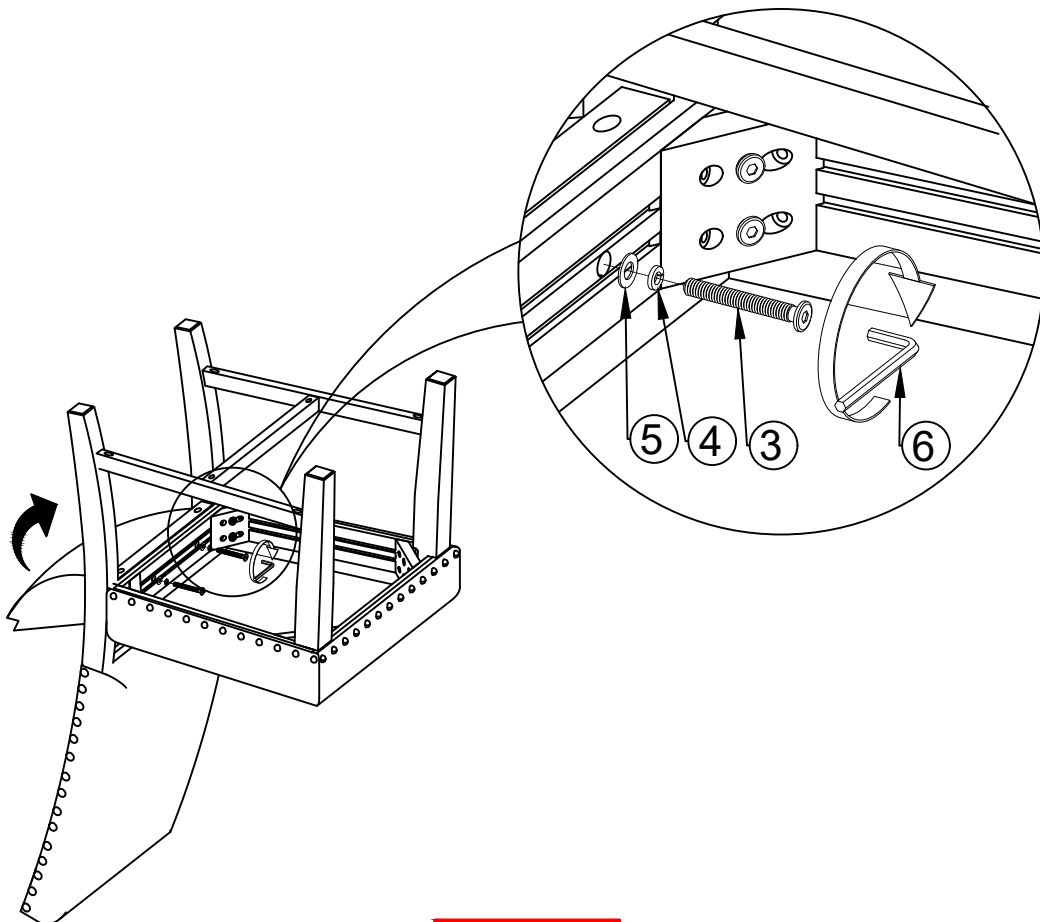


ITEM: **109142**  
**ASSEMBLY INSTRUCTIONS**

**STEP 3**



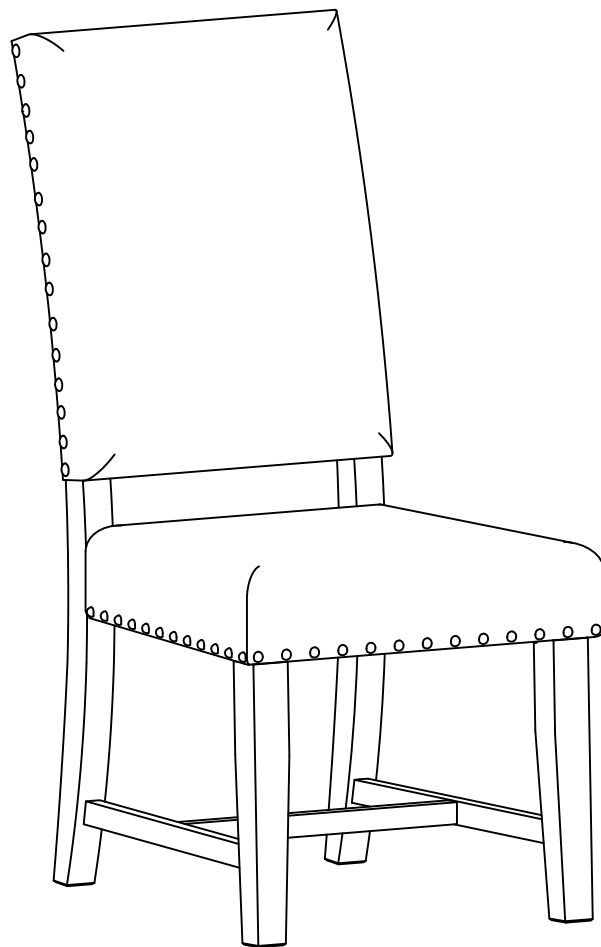
**STEP 4**



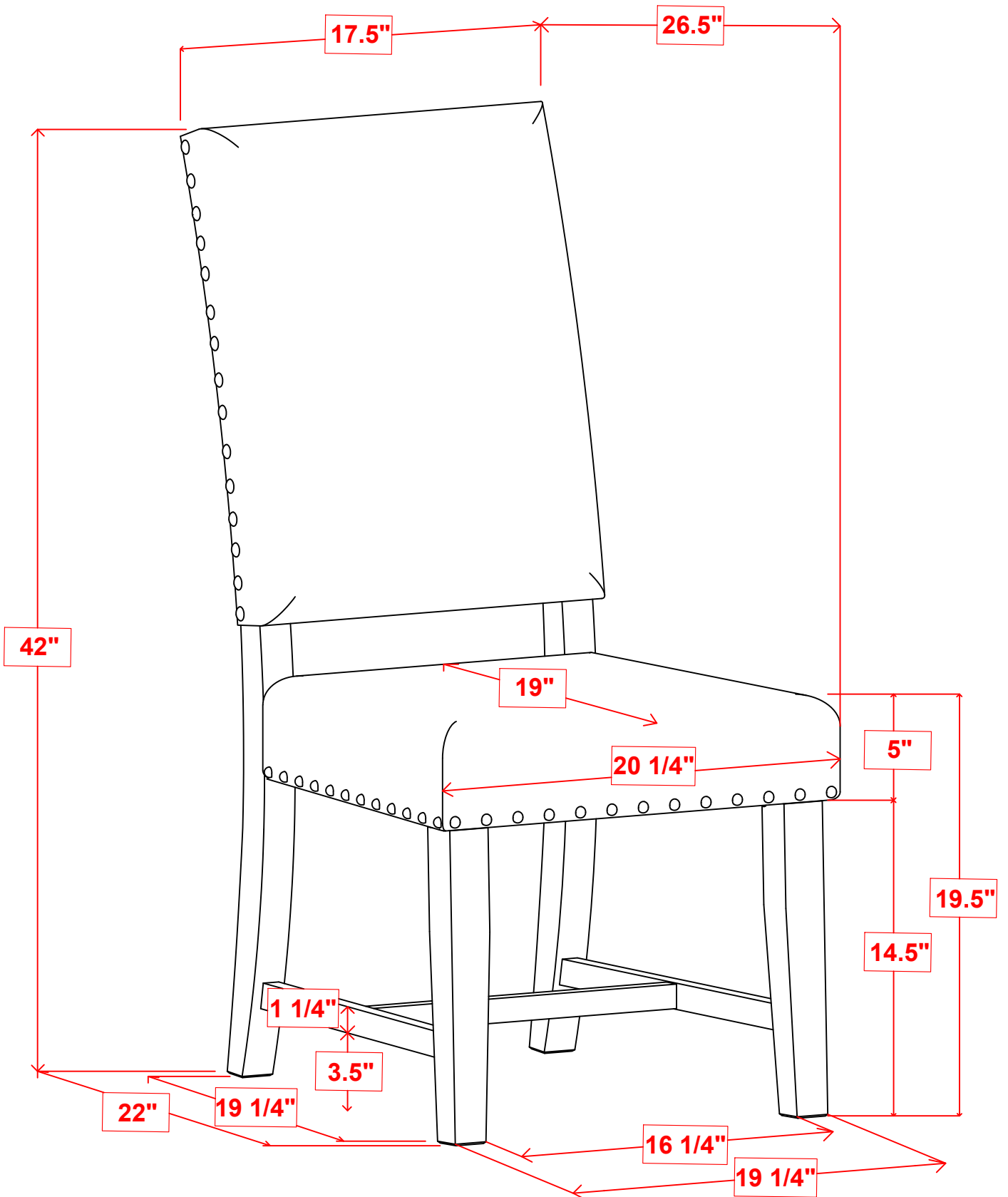
ITEM: **109142**  
**ASSEMBLY INSTRUCTIONS**



**STEP 5**  
**COMPLETE**



ITEM: 109142



**Note:** Dimension tolerance  $\pm 5\%$