

**ASSEMBLY INSTRUCTIONS**  
**COASTER FINE FURNITURE**



*Fine Furniture for every stage of life*

**702447**  
***End Table***

ITEM: **702447**



## ASSEMBLY INSTRUCTIONS

### ASSEMBLY TIPS:

1. Remove hardware from box and sort by size
2. Please check to see that all hardware and parts are present prior to start of assembly
3. Please follow attached instructions in the same sequence as numbered to assure fast & easy assembly.

### WARNING!



1. Don't attempt to repair or modify parts that are broken or defective. Please contact the store immediately.
2. This product is for home use only and not intended for commercial establishments.



ASSEMBLY TIME

5 MINUTES

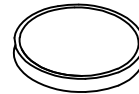
## PARTS IDENTIFICATION

AV TOP



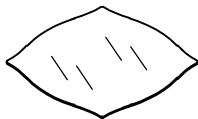
1PC

DV SHELF



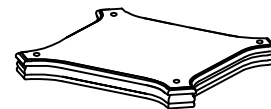
1PC

BV GLASS



1PC

EV BASE



1PC

CV METAL LEG



4PCS

# ITEM: 702447

## ASSEMBLY INSTRUCTIONS

### ASSEMBLY TIPS:

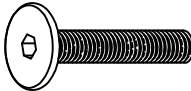


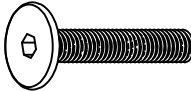




1. Remove hardware from box and sort by size
2. Please check to see that all hardware and parts are present prior to start of assembly
3. Please follow attached instructions in the same sequence as numbered to assure fast & easy assembly.

### WARNING!



1. Don't attempt to repair or modify parts that are broken or defective. Please contact the store immediately.
2. This product is for home use only and not intended for commercial establishments.

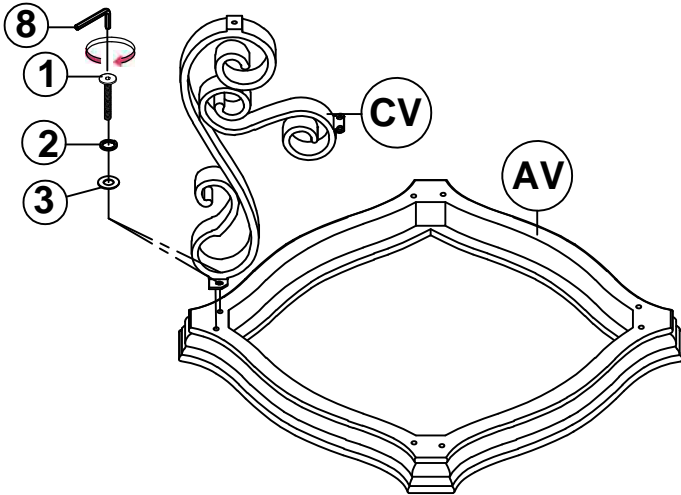
## HARDWARE IDENTIFICATION

1	<b>SHORT BOLT</b> (M6 x 20mm - RBW)		16PCS
2	<b>SMALL LOCK WASHER</b> (M6 - RBW)		16PCS
3	<b>SMALL FLAT WASHER</b> (M6 - RBW)		16PCS
4	<b>LONG BOLT</b> (M8 x 25mm - RBW)		4PCS
5	<b>BIG LOCK WASHER</b> (M8 - RBW)		4PCS
6	<b>BIG FLAT WASHER</b> (M8 - RBW)		4PCS
7	<b>LEVELER</b>		4PCS
8	<b>ALLEN WRENCH</b> (M4 - BLK)		1PC

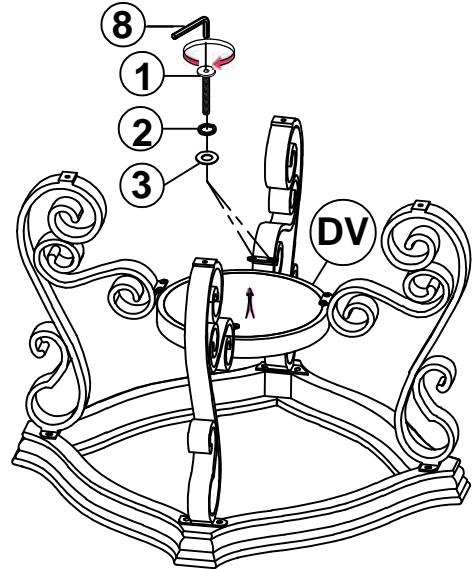
ITEM: **702447**

**ASSEMBLY INSTRUCTIONS**

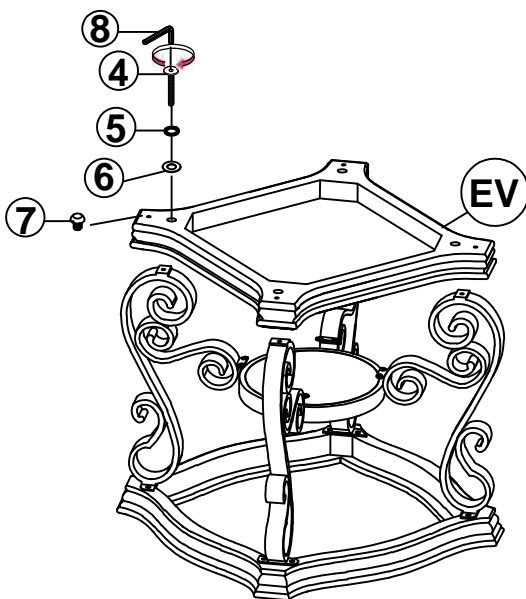
**STEP 1**



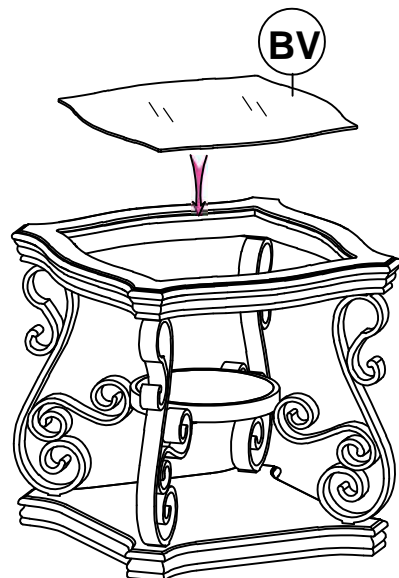
**STEP 2**



**STEP 3**



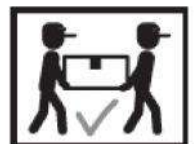
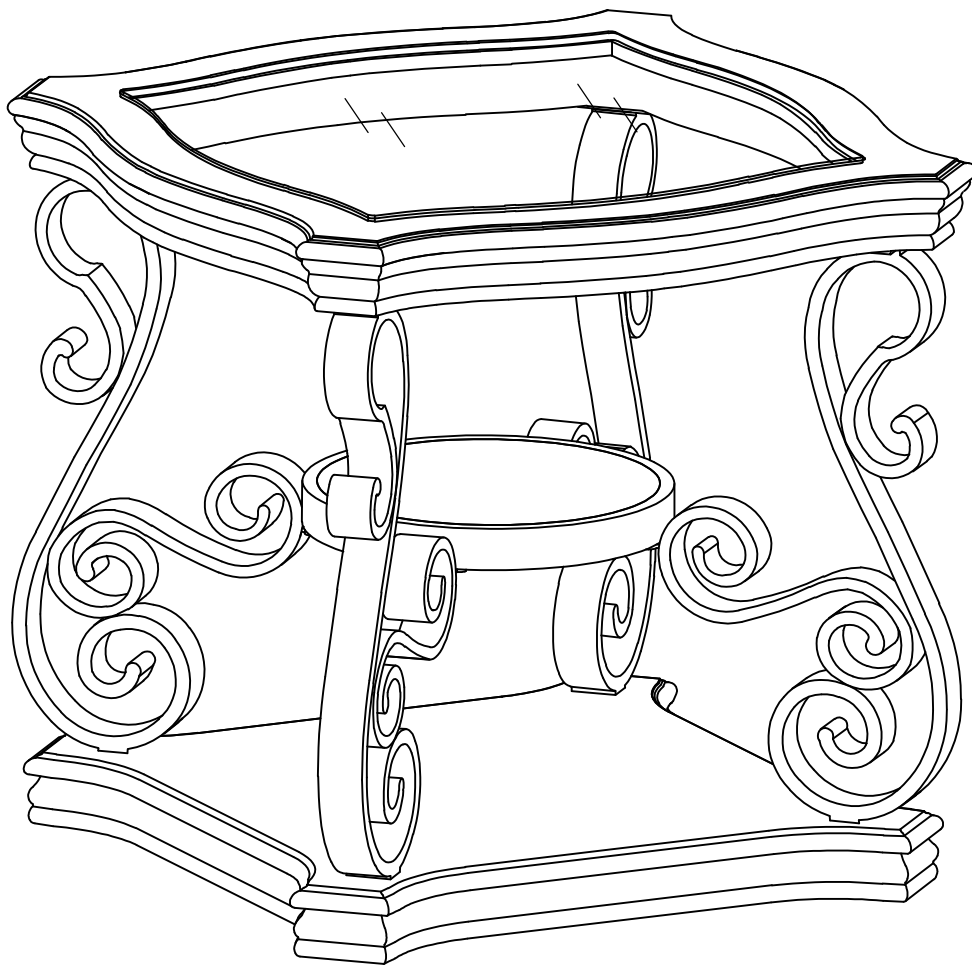
**STEP 4**



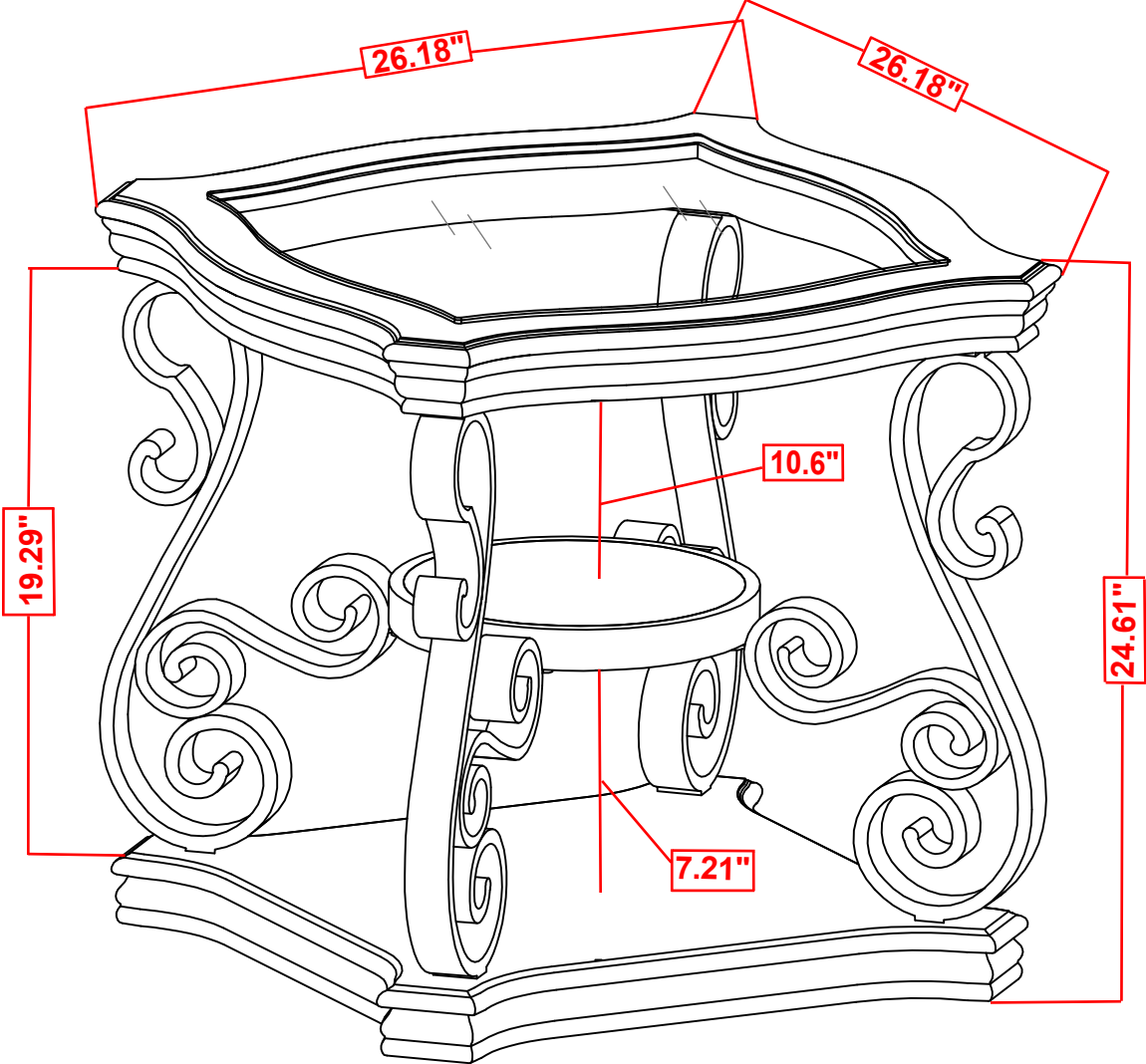
ITEM: **702447**  
**ASSEMBLY INSTRUCTIONS**



**STEP 5**  
**COMPLETE**



ITEM: 702447



**Note:** Dimension tolerance  $\pm 5\%$