



*ASSEMBLY INSTRUCTIONS*  
*COASTER FINE FURNITURE*



*Fine Furniture for every stage of life*

**910251**  
**BENCH**

REVISION 0: 11/20/2019  
REVISION 1: 05/12/2020

PAGE 1 OF 4

COASTERFURNITURE.COM

ITEM : 910251



**ASSEMBLY TIPS:**

- 1. Remove hardware from box and sort by size
- 2. Please check to see that all hardware and parts are present prior to start of assembly.
- 3. Please follow attached instruction in the same sequence as numbered to assure fast & easy assembly.

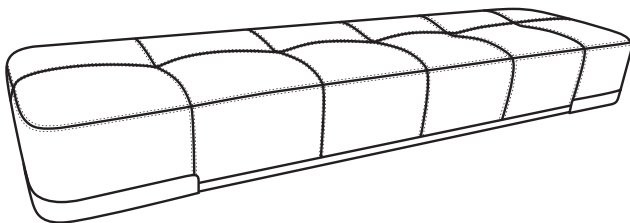


Warning!

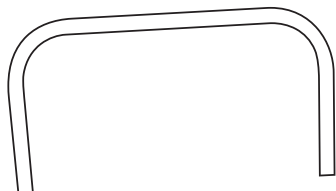
- 1. Don't attempt to repair or modify parts that are broken or defective. Please contact the store immediately.
- 2. This product is for home use only and not intended for commercial establishment

**PARTS IDENTIFICATION**

**A.SEAT                      1PC**



**B.LEG                        2PCS**

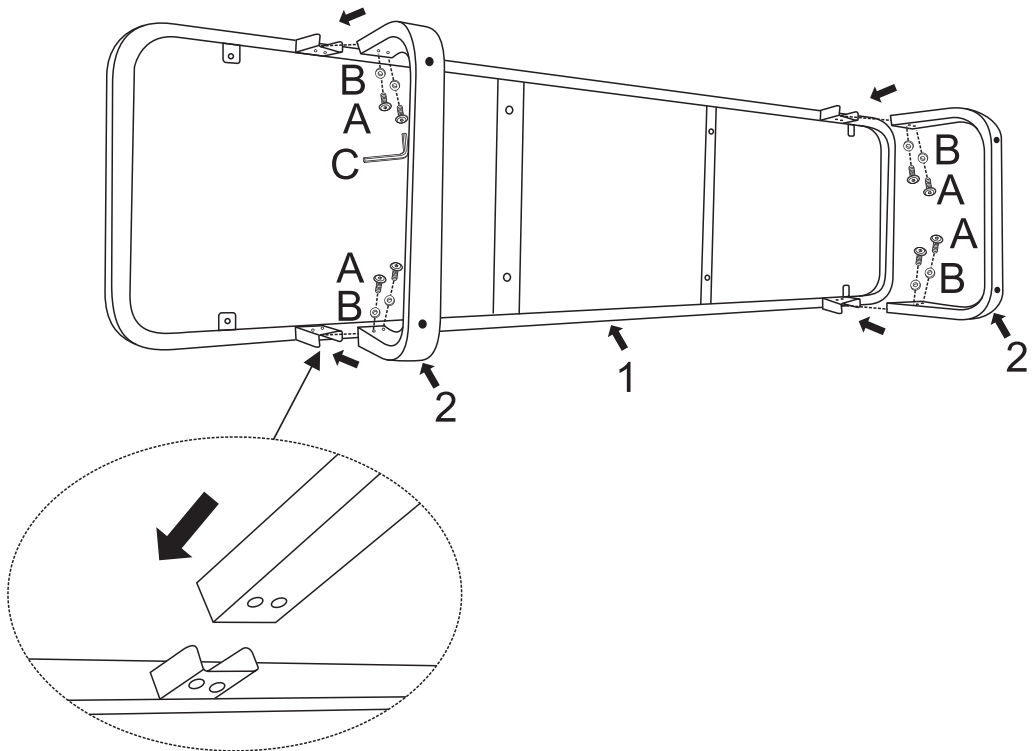


**HARDWARE IDENTIFICATION**

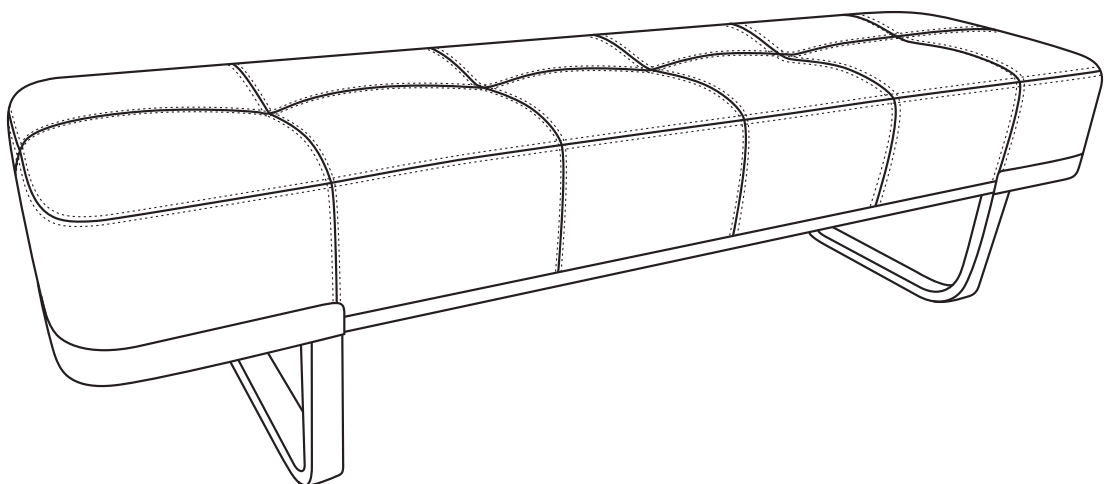
1		ALLEN WRENCH M6MM	1PC
2		BOLTS M6X12MM	8PCS
3		WASHER M6	8PCS

ITEM : 910251

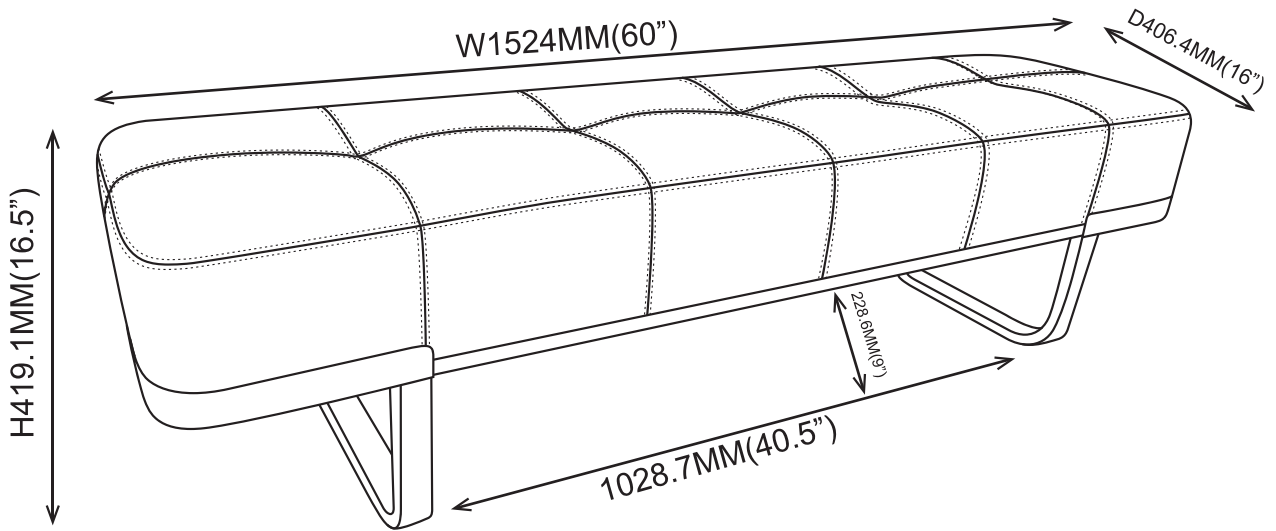
**step1**



**step2**



ITEM : 910251



**Note:** Dimension tolerance  $\pm 5\%$ .