



## ASSEMBLY INSTRUCTIONS COASTER FINE FURNITURE



*Fine Furniture for every stage of life*

# 7502 Bone Recliner Chair

REVISION 0 : 03/23/2015  
REVISION 1 : 09/21/2015  
REVISION 2 : 02/25/2019  
REVISION 3 : 06/10/2019  
REVISION 4 : 10/24/2019  
REVISION 5 : 05/28/2020

ITEM: **7502**



## ASSEMBLY INSTRUCTIONS

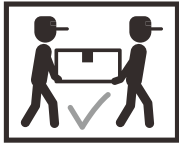
### ASSEMBLY TIPS:

1. Remove hardware from box and sort by size.
2. Please check to see that all hardware and parts are present prior to start of assembly.
3. Please follow attached instructions in the same sequence as numbered to assure fast & easy assembly.



### WARNING!

1. Don't attempt to repair or modify parts that are broken or defective.  
Please contact the store immediately
2. This product is for home use only and not intended for commercial establishments.



ASSEMBLY TIME

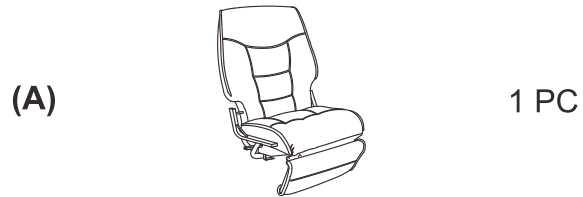
30 MINUTES

ITEM: **7502**

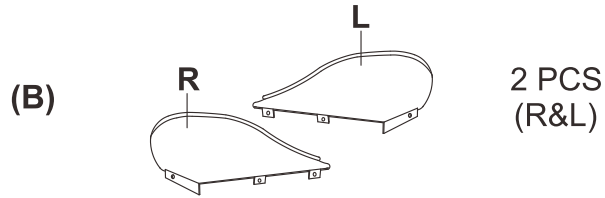


**ASSEMBLY INSTRUCTIONS**

**PARTS IDENTIFICATION**



**MAIN FRAME**



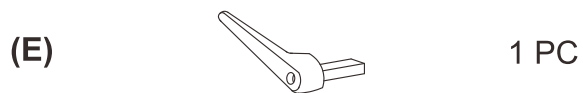
**ARMREST**



**BASE**



**SUPPORT**



**HANDLE**

ITEM: **7502**



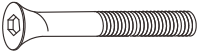
**ASSEMBLY INSTRUCTIONS**

**HARDWARE PACKAGE**

1  1 PC  
**PLASTIC CAP**


2  2 PCS  
M8 x 23mm  
**SCREW**


3  6 PCS  
M6 x 20mm  
**SCREW**

4  1 PC  
M6 x 38mm  
**SCREW**

5  2 PCS  
M8  
**NUT**

6  1 PC  
**WASHER**

7  1 PC  
**WRENCH**

8  1 PC  
M6  
**ALLEN DRIVER**

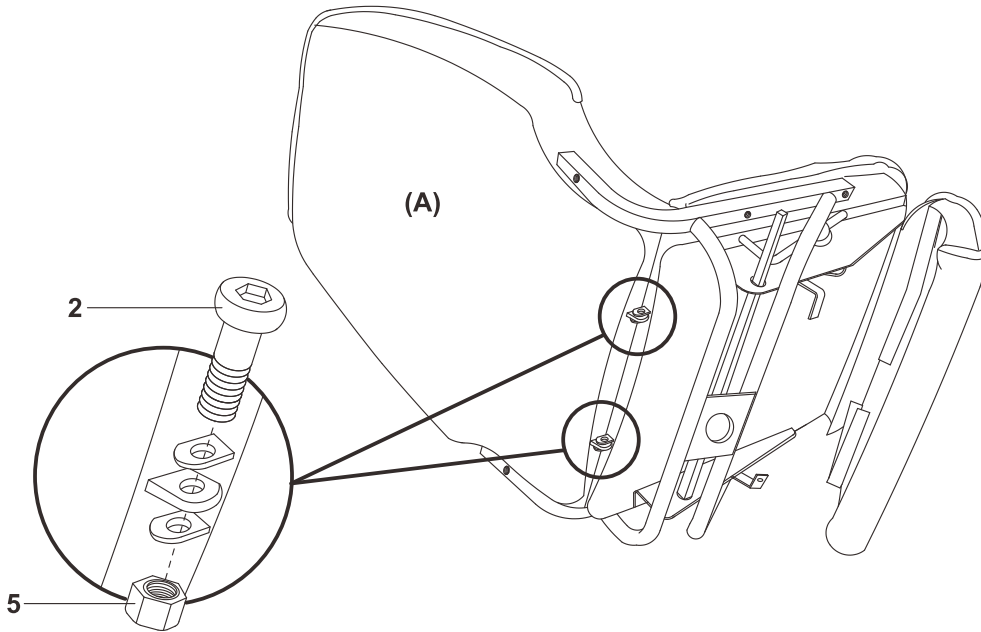
9  1 PC  
M4  
**ALLEN DRIVER**

ITEM: **7502**

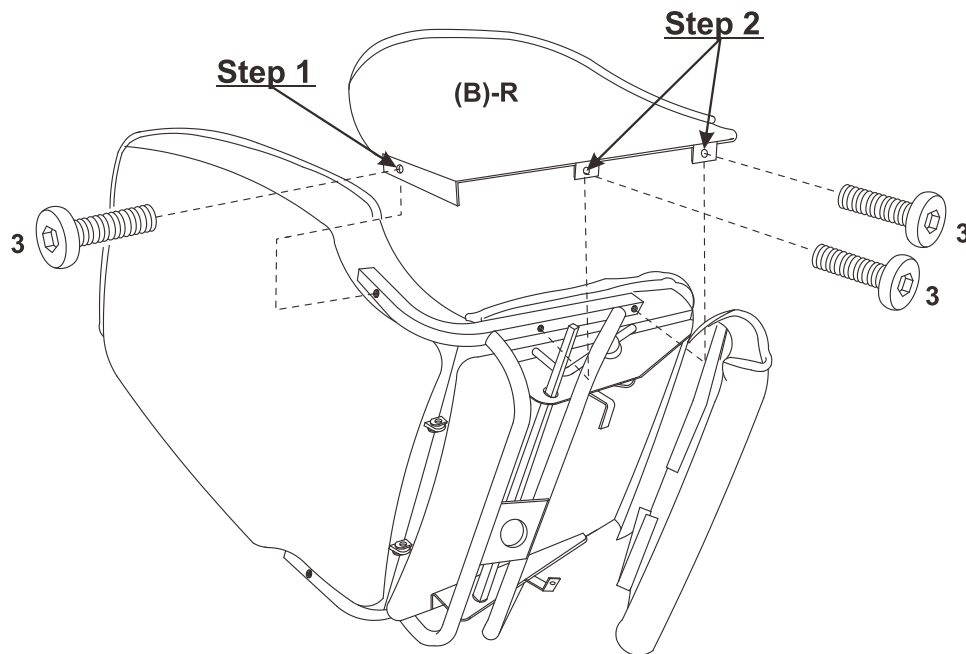
## ASSEMBLY INSTRUCTIONS



### STEP 1



### STEP 2

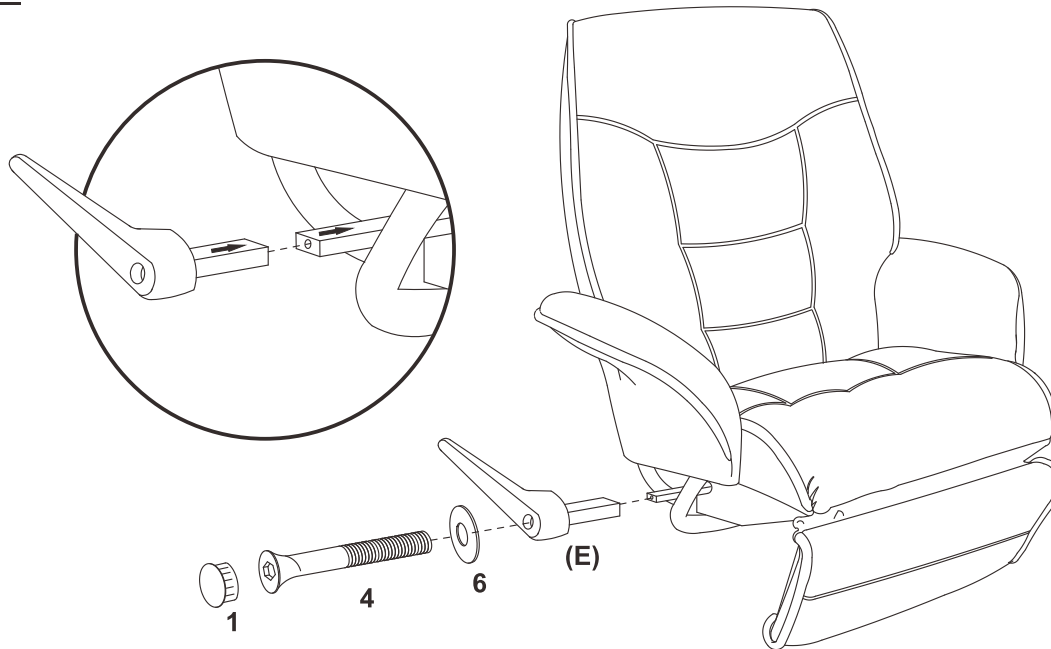


ITEM: **7502**

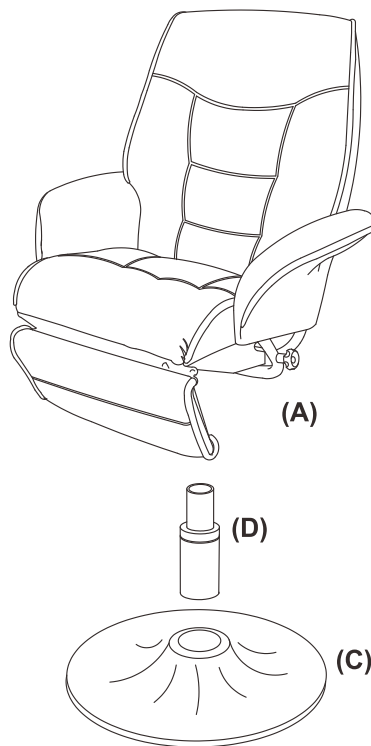


## ASSEMBLY INSTRUCTIONS

### STEP 3



### STEP 4



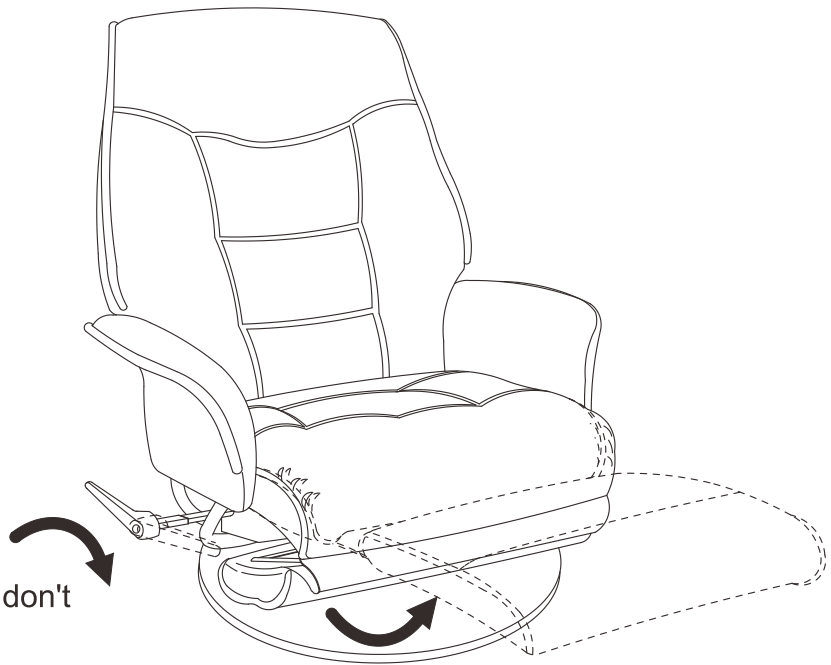
ITEM: **7502**



## ASSEMBLY INSTRUCTIONS

### STEP 5

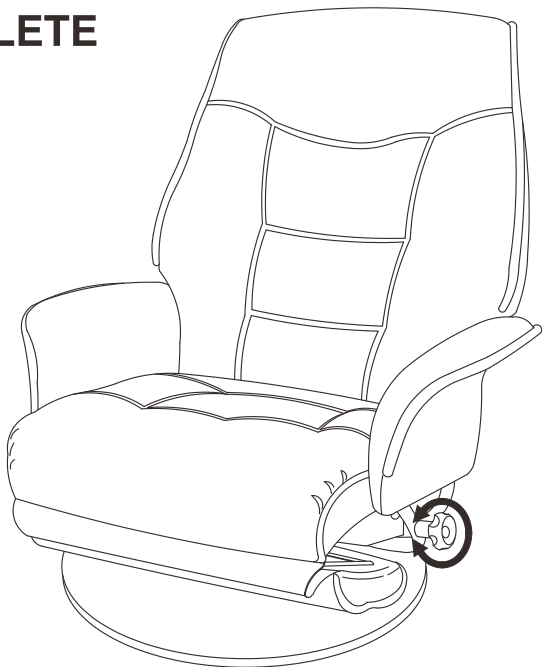
To open the footrest turn the handle in the direction shown.  
To close the footrest reverse the procedure.



When you open your ottoman, don't put your foot on the ottoman.

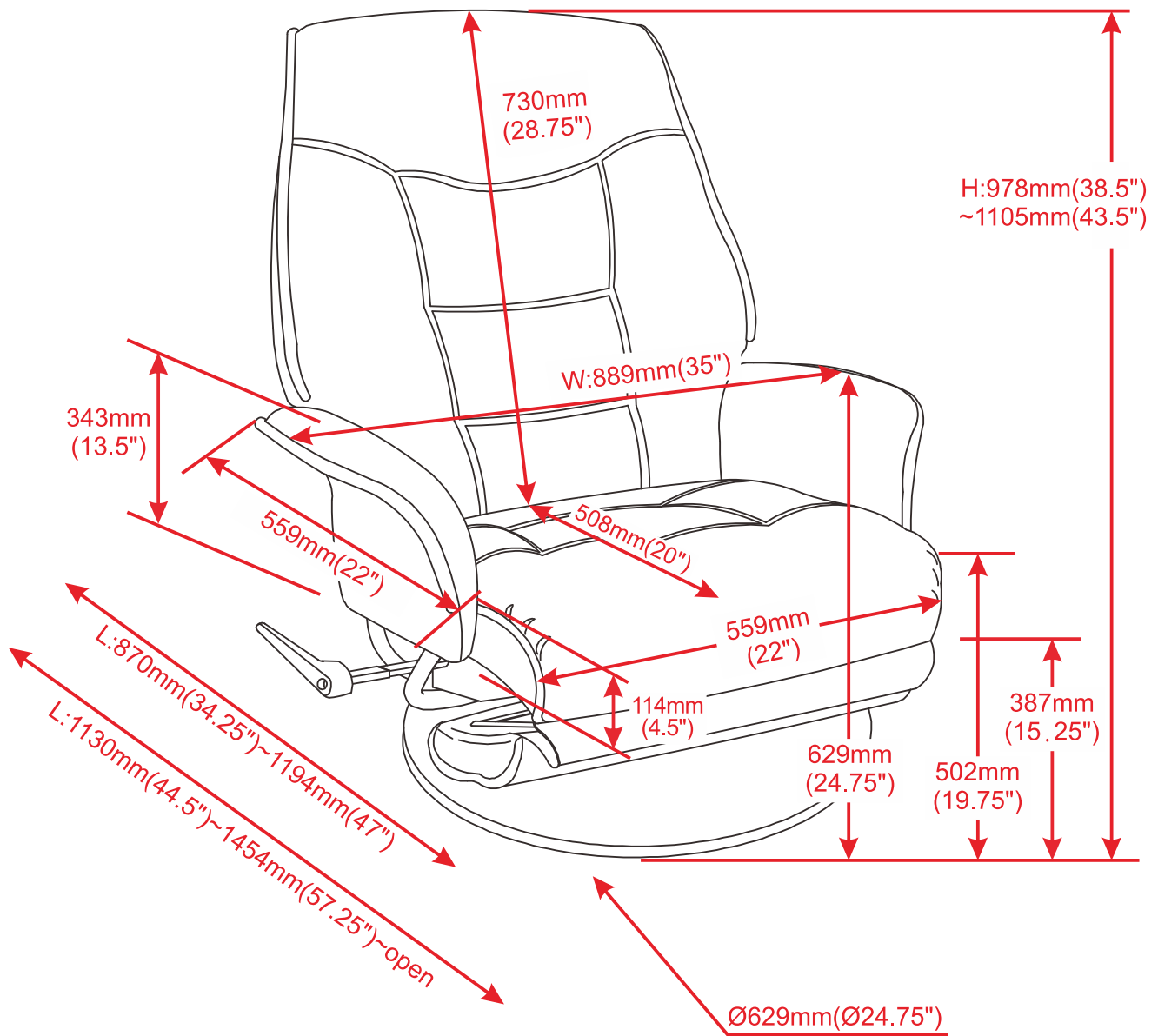
---

### STEP 6 COMPLETE



To lock the recliner in any reclining position, while sitting in the recliner, push the backrest to the desired position and turn the locking wheel on the left side.

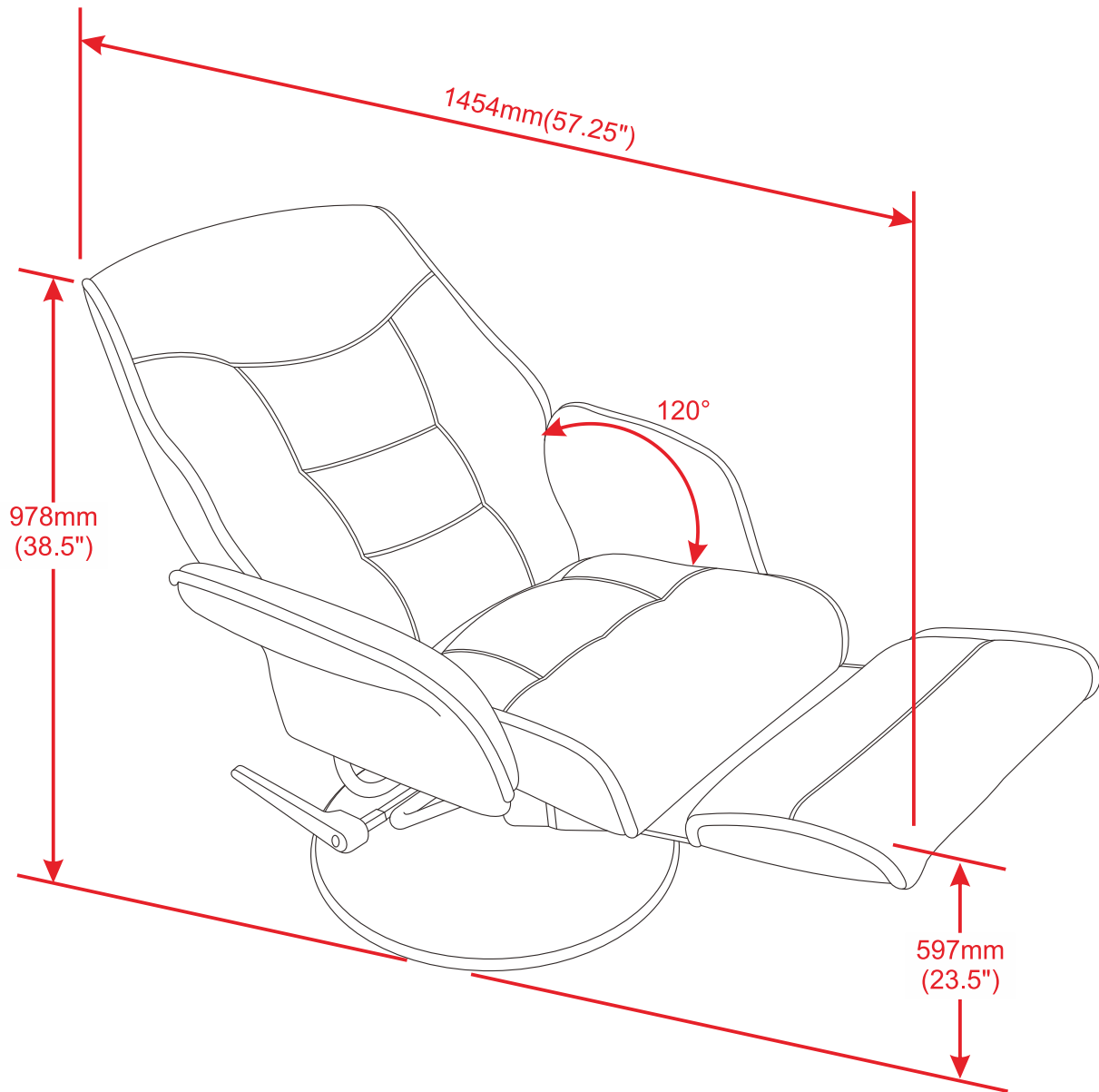
ITEM: 7502



Note : Dimension tolerance  $\pm 5\%$



ITEM: **7502**



Note : Dimension tolerance  $\pm 5\%$