



ASSEMBLY INSTRUCTIONS COASTER FINE FURNITURE



Fine Furniture for every stage of life

504413
CHAIR

ITEM : 504413



ASSEMBLY INSTRUCTIONS

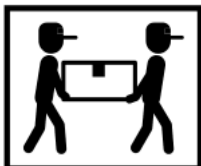
ASSEMBLY TIPS:

- 1.Remove hardware from box and sort by size.
- 2.Please check to see that all hardware and parts are present prior to start of assembly.
- 3.Please follow attached instruction in the same sequence as numbered to assure fast & easy assembly.



WARNING!

- 1.Don't attempt to repair or modify parts that are broken or defective. Please contact the store immediately.
- 2.This product is for home use only and not intended for commercial establishment.



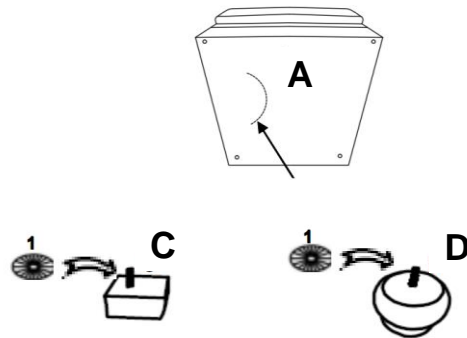
ASSEMBLY TIME

10 MINUTES

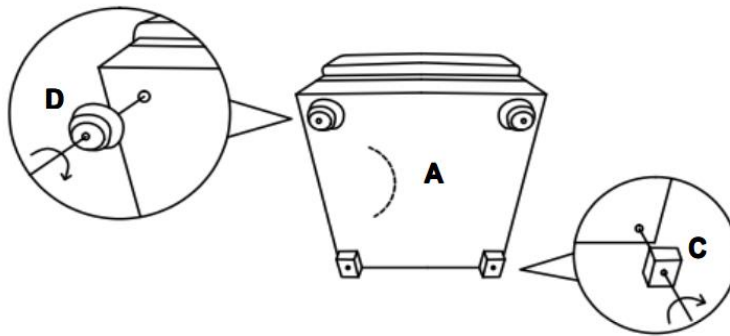
PARTS IDENTIFICATION

A	CHAIR		1 PC
B	BACK		1 PC
C	BACK LEG		2 PCS
D	FRONT LEG		2 PCS

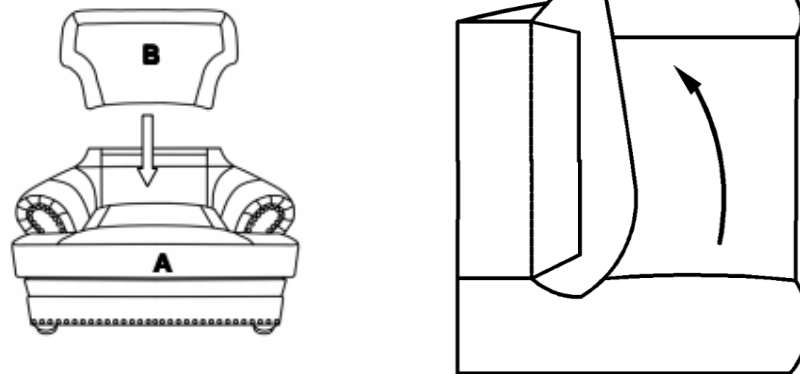
ITEM : 504413
ASSEMBLY INSTRUCTIONS
STEP 1



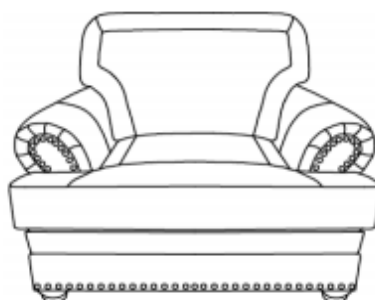
STEP 2

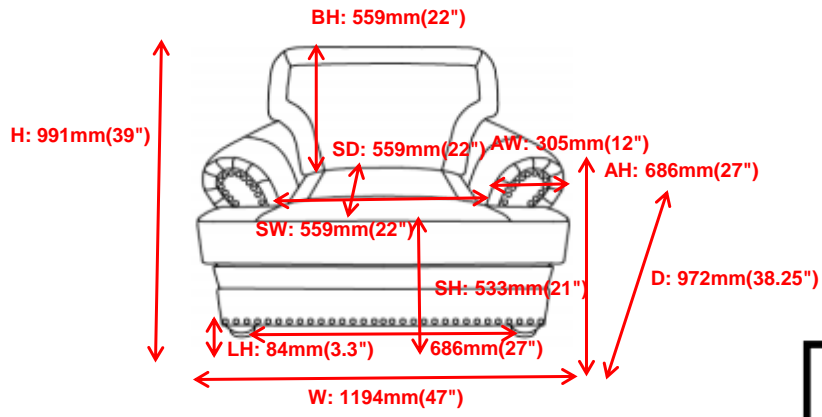


STEP 3



STEP 4





NOTE: Dimension tolerance $\pm 5\%$

