



**ASSEMBLY INSTRUCTIONS
COASTER FINE FURNITURE**



Fine Furniture for every stage of life

**504904
SOFA**

REVISION 0: 6/20/2019
5/27/2020

PAGE 1 OF 4

COASTERFURNITURE.COM

ITEM : 504904



ASSEMBLY INSTRUCTIONS

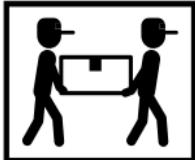
ASSEMBLY TIPS:

- 1.Remove hardware from box and sort by size.
- 2.Please check to see that all hardware and parts are present prior to start of assembly.
- 3.Please follow attached instruction in the same sequence as numbered to assure fast & easy assembly.



WARNING!


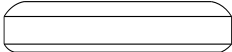


- 1.Don't attempt to repair or modify parts that are broken or defective. Please contact the store immediately.
- 2.This product is for home use only and not intended for commercial establishment.



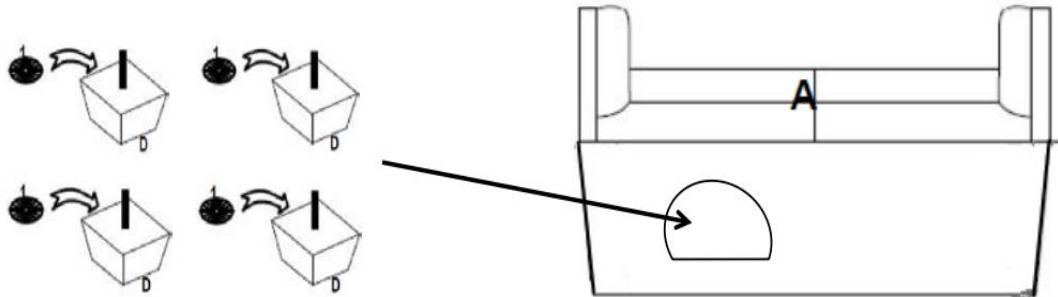
ASSEMBLY TIME

10 MINUTES

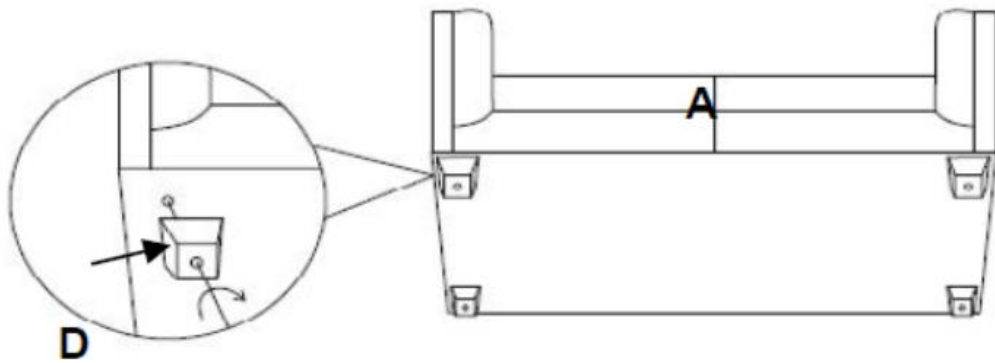
PARTS IDENTIFICATION

- | | | | |
|---|--------------|---|-------|
| A | SOFA |  | 1 PC |
| B | SEAT CUSHION |  | 2 PCS |
| C | PILLOW |  | 2 PCS |
| D | LEGS |  | 4 PCS |

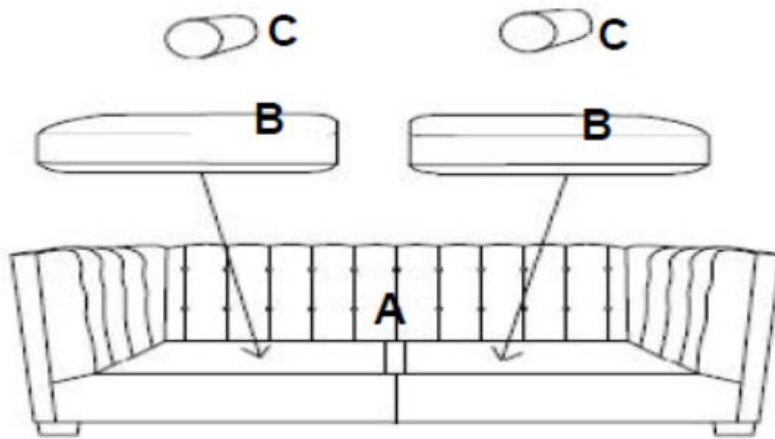
ITEM : 504904
ASSEMBLY INSTRUCTIONS
STEP 1



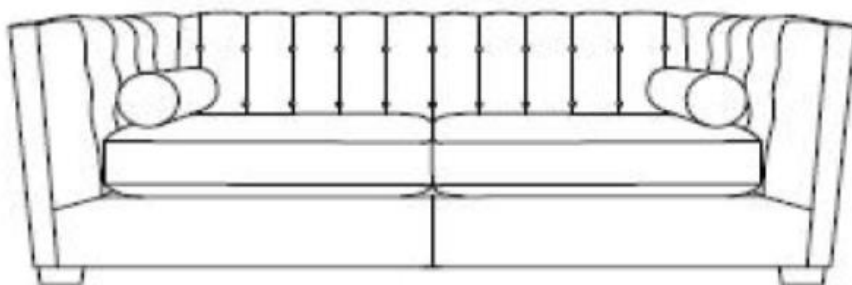
STEP 2

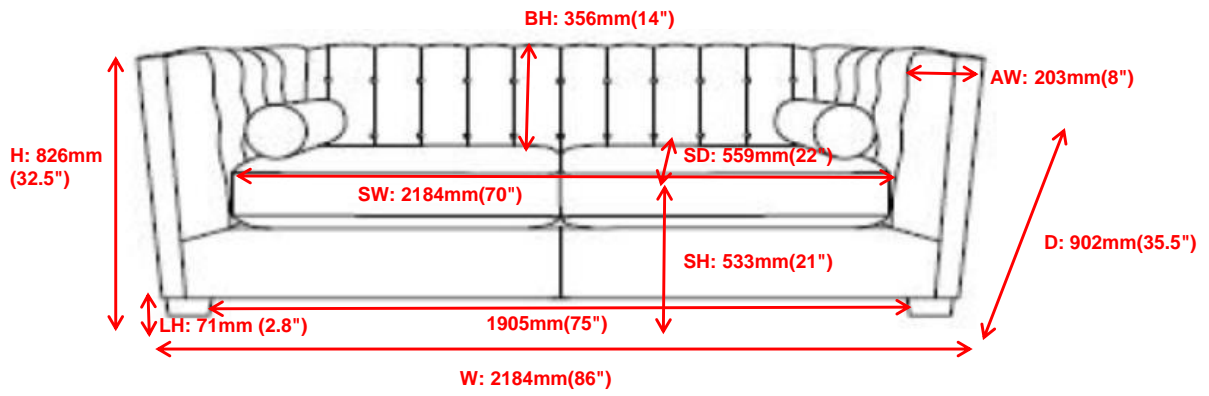


STEP 3



STEP 4





NOTE: Dimension tolerance $\pm 5\%$

