



## ASSEMBLY INSTRUCTIONS COASTER FINE FURNITURE



Fine Furniture for every stage of life

**505391**  
**SOFA**

ITEM : 505391



# ASSEMBLY INSTRUCTIONS

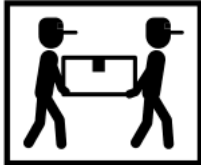
## ASSEMBLY TIPS:

- 1.Remove hardware from box and sort by size.
- 2.Please check to see that all hardware and parts are present prior to start of assembly.
- 3.Please follow attached instruction in the same sequence as numbered to assure fast & easy assembly.



### WARNING!

- 1.Don't attempt to repair or modify parts that are broken or defective. Please contact the store immediately.
- 2.This product is for home use only and not intended for commercial establishment.



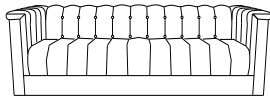
ASSEMBLY TIME

5 MINUTES

## PARTS IDENTIFICATION

A

SOFA



1 PC

C

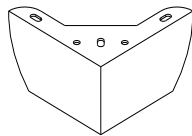
MIDDLE  
LEG



1 PC

B

LEGS



4 PCS

## HARDWARE IDENTIFICATION

1

Allen wrench  
5\*23\*73mm



1 PC

3

Washer M8  
21\*21\*1mm



8 PCS

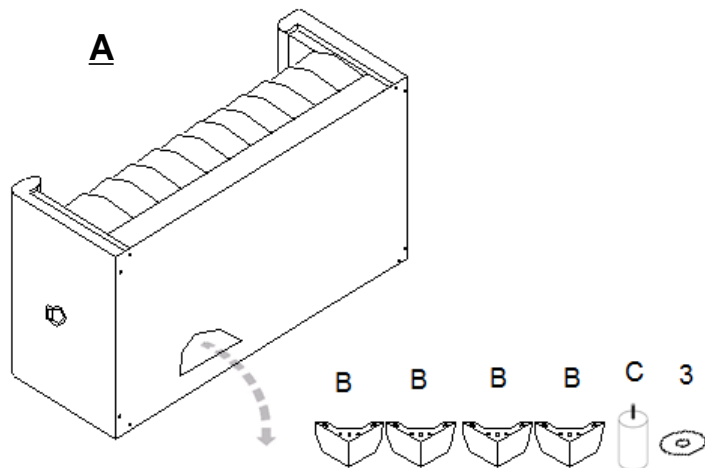
2

Wood screw  
30\*10\*10mm

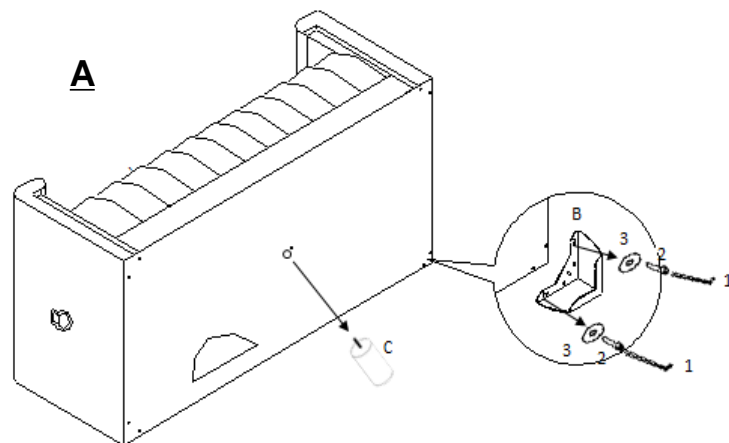


8 PCS

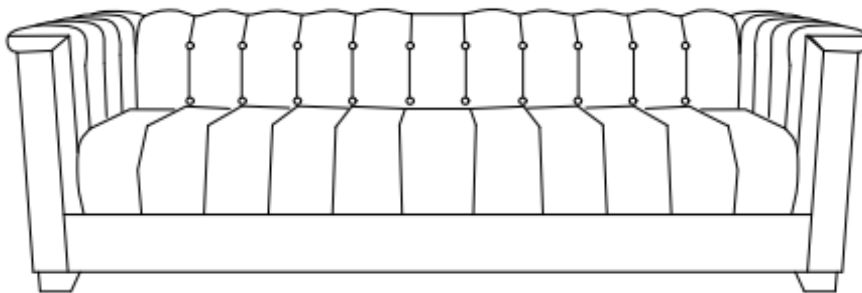
**ITEM : 505391**  
**ASSEMBLY INSTRUCTIONS**  
**STEP 1**



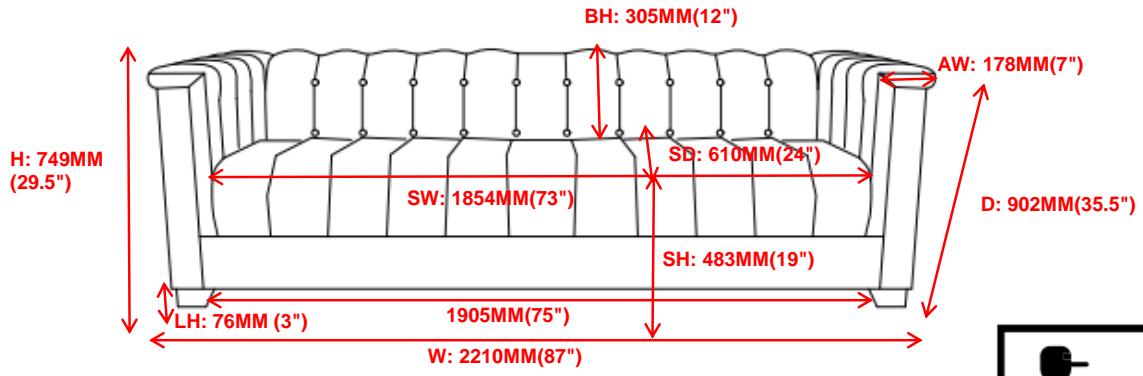
**STEP 2**



**STEP 3**



# STEP 4



NOTE: Dimension tolerance  $\pm 5\%$

