



**ASSEMBLY INSTRUCTIONS
COASTER FINE FURNITURE**



Fine Furniture for every stage of life

**505392
LOVESEAT**

ITEM : 505392



ASSEMBLY INSTRUCTIONS

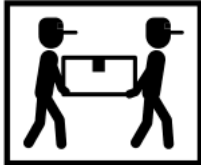
ASSEMBLY TIPS:

- 1.Remove hardware from box and sort by size.
- 2.Please check to see that all hardware and parts are present prior to start of assembly.
- 3.Please follow attached instruction in the same sequence as numbered to assure fast & easy assembly.



WARNING!

- 1.Don't attempt to repair or modify parts that are broken or defective. Please contact the store immediately.
- 2.This product is for home use only and not intended for commercial establishment.

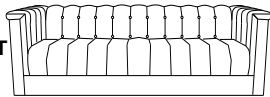


ASSEMBLY TIME

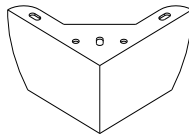
5 MINUTES

PARTS IDENTIFICATION

A LOVESEAT 1 PC



B LEGS 4 PCS



HARDWARE IDENTIFICATION

1 Allen wrench 5*23*73mm 1 PC



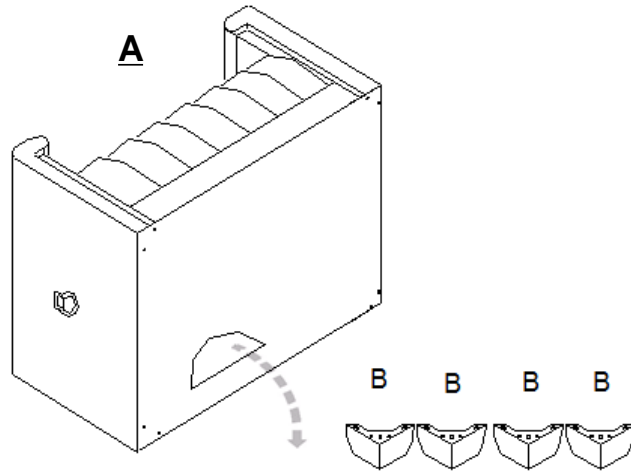
3 Washer M8 21*21*1mm 8 PCS



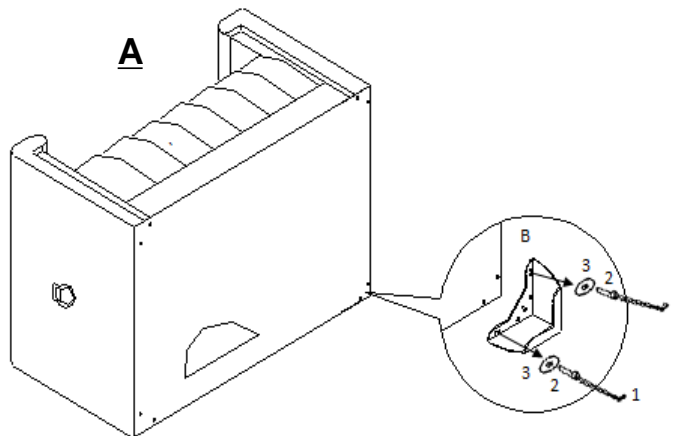
2 Wood screw 30*10*10mm 8 PCS



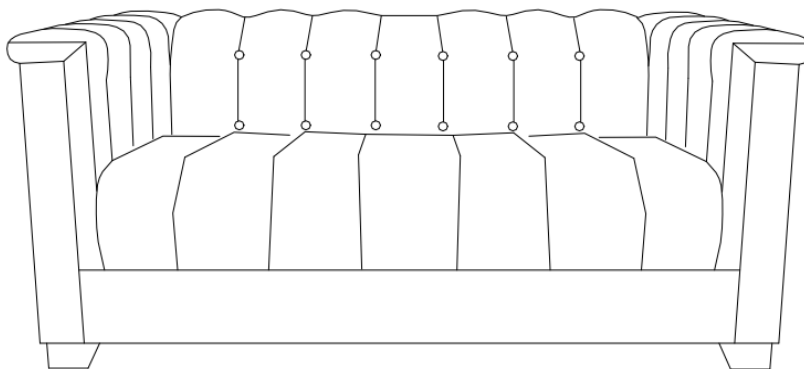
ITEM : 505392
ASSEMBLY INSTRUCTIONS
STEP 1



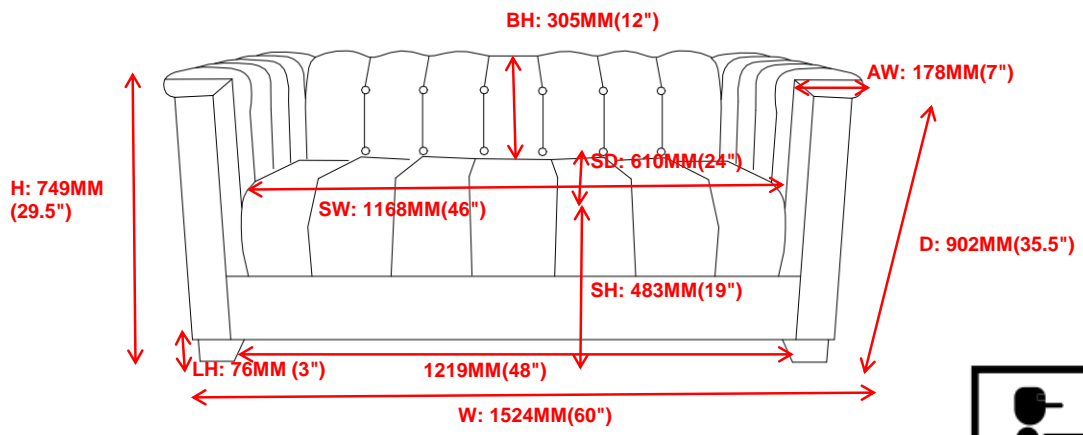
STEP 2



STEP 3



STEP 4



NOTE: Dimension tolerance $\pm 5\%$

