



ASSEMBLY INSTRUCTIONS COASTER FINE FURNITURE



Fine Furniture for every stage of life

505819
CHAIR

REVISION 0: 6/20/2019
5/21/2020

PAGE 1 OF 4

COASTERFURNITURE.COM

ITEM : 505819



ASSEMBLY INSTRUCTIONS

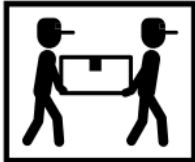
ASSEMBLY TIPS:

- 1.Remove hardware from box and sort by size.
- 2.Please check to see that all hardware and parts are present prior to start of assembly.
- 3.Please follow attached instruction in the same sequence as numbered to assure fast & easy assembly.



WARNING!

- 1.Don't attempt to repair or modify parts that are broken or defective. Please contact the store immediately.
- 2.This product is for home use only and not intended for commercial establishment.

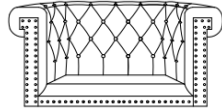


ASSEMBLY TIME

10 MINUTES

PARTS IDENTIFICATION

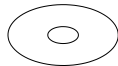
A CHAIR 1 PC



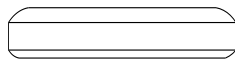
B LEGS 4 PCS



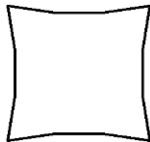
C PLASTIC WASHER 4 PCS



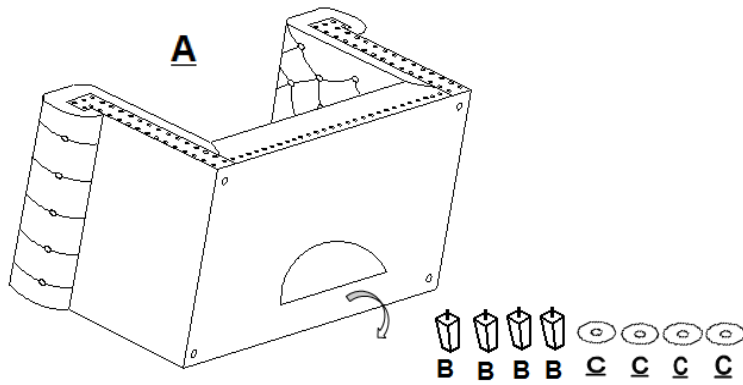
D SEAT CUSHION 1 PC



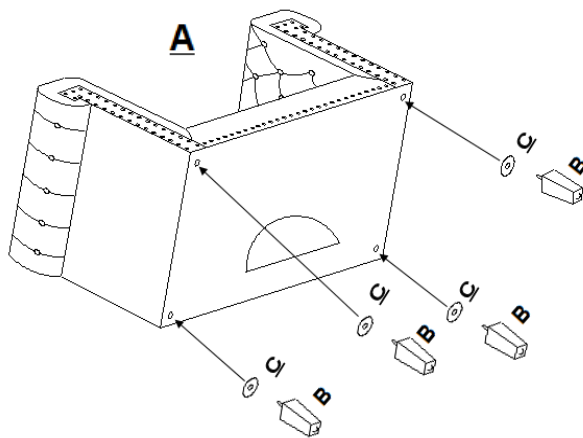
E PILLOW 1 PC



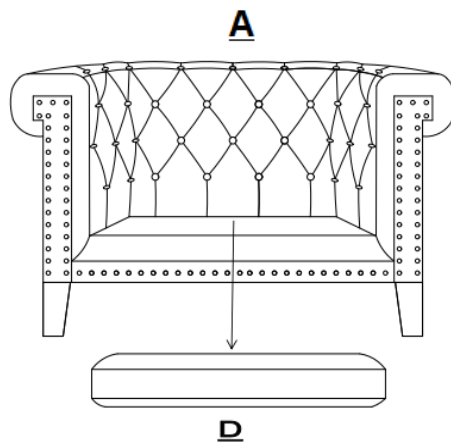
ITEM : 505819
ASSEMBLY INSTRUCTIONS
STEP 1



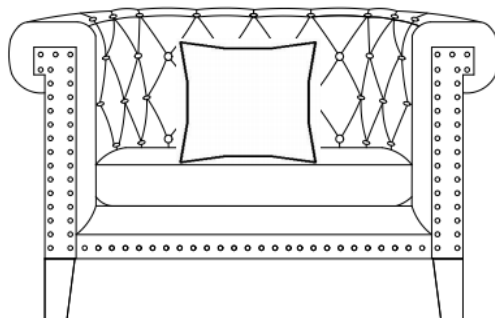
STEP 2

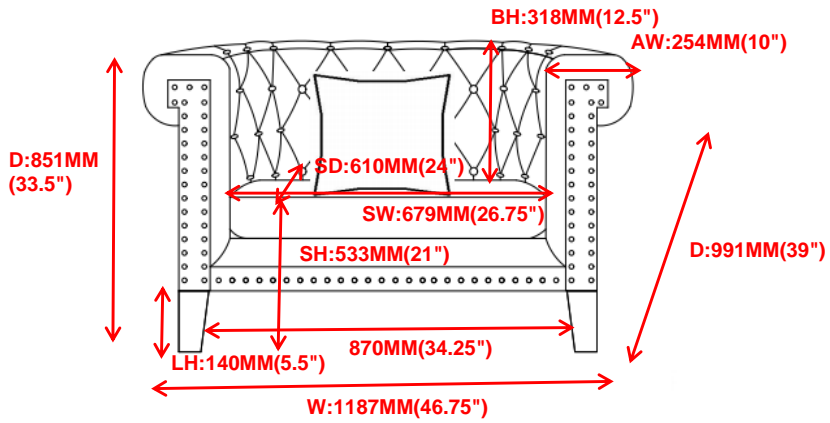


STEP 3



STEP 4





NOTE: Dimension tolerance $\pm 5\%$

