



*ASSEMBLY INSTRUCTIONS*  
*COASTER FINE FURNITURE*



*Fine Furniture for every stage of life*

**183436**  
**COUNTER HT STOOL**

ITEM: **183436**



## ASSEMBLY INSTRUCTIONS

### ASSEMBLY TIPS:

1. Remove hardware from box and sort by size.
2. Please check to see that all hardware and parts are present prior to start of assembly.
3. Please follow attached instructions in the same sequence as numbered to assure fast & easy assembly.



### WARNING!


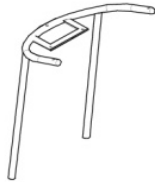

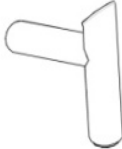
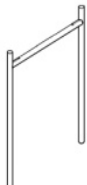

1. Don't attempt to repair or modify parts that are broken or defective. Please contact the store immediately.
2. This product is for home use only and not intended for commercial establishments.



**ASSEMBLY TIME**

**5 MINUTES**

## PARTS IDENTIFICATION

<b>A</b>	<b>BACK CUSHION</b>		<b>1PC</b>	<b>D</b>	<b>BACK LEG</b>		<b>1PCS</b>
<b>B</b>	<b>SEAT CUSHION</b>		<b>1PCS</b>	<b>E</b>	<b>LEG CONNECTING TUBE</b>		<b>2PCS</b>
<b>C</b>	<b>FRONT LEG</b>		<b>1PCS</b>	<b>F</b>	<b>FOOTEST</b>		<b>1PCS</b>

### NOTE:

Phillips head screw driver is required in the assembly process; however, manufacturer does not provide this item.

# ASSEMBLY INSTRUCTIONS

## ASSEMBLY TIPS:

1. Remove hardware from box and sort by size.
2. Please check to see that all hardware and parts are present prior to start of assembly.
3. Please follow attached instructions in the same sequence as numbered to assure fast & easy assembly.



### WARNING!

1. Don't attempt to repair or modify parts that are broken or defective. Please contact the store immediately.
2. This product is for home use only and not intended for commercial establishments.



**ASSEMBLY TIME**

**5 MINUTES**

## HARDWARE IDENTIFICATION

1 ALLEN KEY (6MM ) 1PC




2 ALLEN KEY (4MM) 1PC



3 WRENCH SOCKET (M8) 1PCS



4 ALLEN SCREW (M6\*10) 2PCS



5 ALLEN SCREW (M6\*16) 2PCS



6 ALLEN SCREW (M6\*25) 4PCS



7 ALLEN SCREW (M6\*35) 2PCS



8 ALLEN SCREW (M8\*40) 2PCS



9 ALLEN SCREW (M6\*55) 1PCS



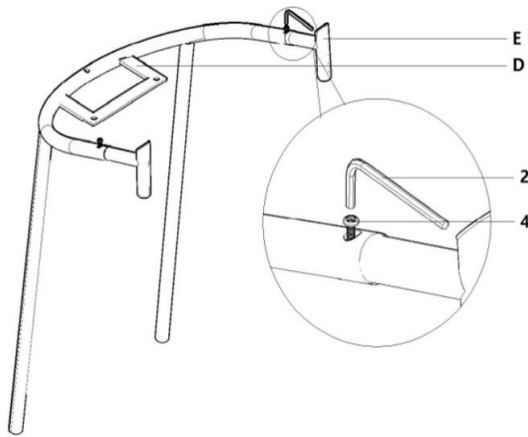
Phillips head screw driver is required in the assembly process; however, manufacturer does not provide this item.

ITEM: **183436**

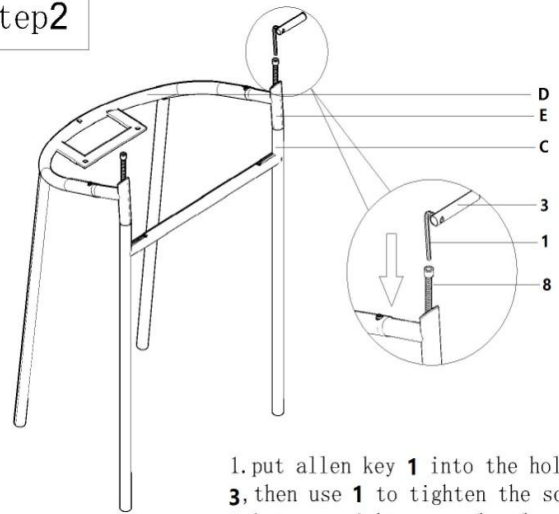
# ASSEMBLY INSTRUCTIONS



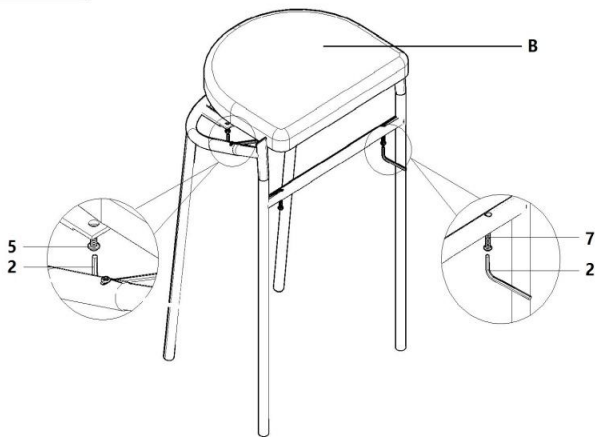
step1



step2

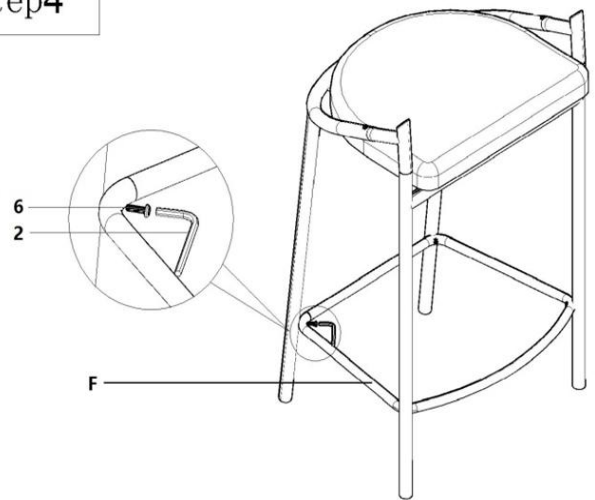


step3



1. put the seat on the frame, use allen key **2** to tighten screw **5** and **7** respectively, but not tighten completely.

step4

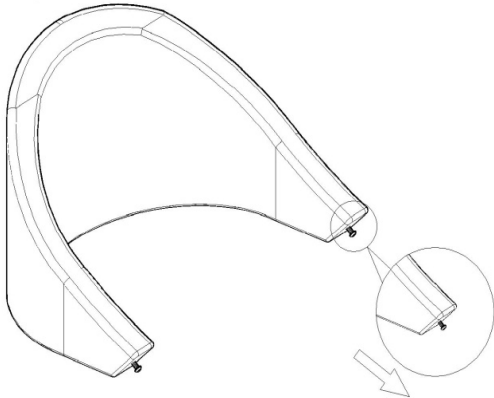


ITEM: **183436**



## ASSEMBLY INSTRUCTIONS

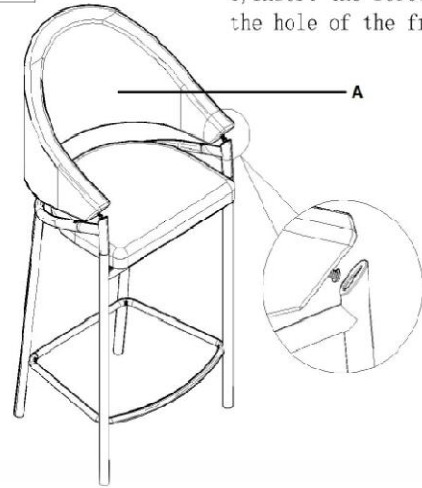
step5



1. loosen the screw out about 10mm.

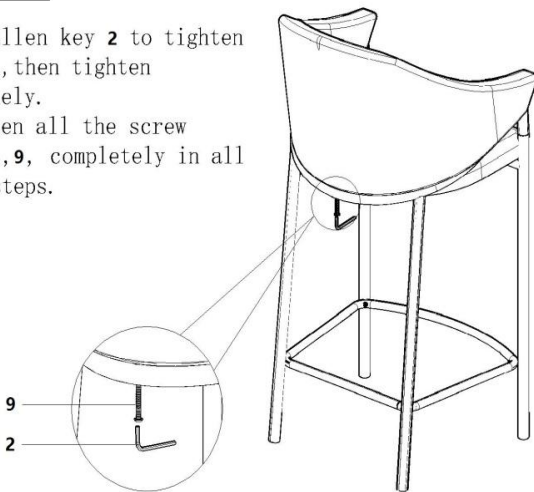
step6

1. after finishing the step 5, insert the screw head into the hole of the frame.

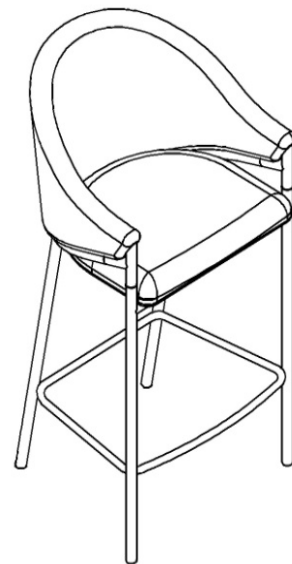


step7

1. Use allen key **2** to tighten screw **9**, then tighten completely.  
2. tighten all the screw **5, 6, 7, 8, 9**, completely in all above steps.



## COMPLETE



ITEM: **183436**

