

ASSEMBLY INSTRUCTIONS
COASTER FINE FURNITURE



Fine Furniture for every stage of life

805675
Bookcase

ITEM:805675



ASSEMBLY INSTRUCTIONS

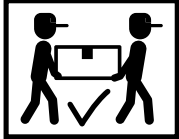
ASSEMBLY TIPS:

1. Remove hardware from box and sort by size.
2. Please check to see that all hardware and parts are present prior to start of assembly.
3. Please follow attached instructions in the same sequence as numbered to assure fast & easy assembly.



WARNING !

1. Don't attempt to repair or modify parts that are broken or defective. Please contact the store immediately.
2. This product is for home use only and not intended for commercial establishment.



ASSEMBLY TIME 45 MINUTE

PARTS IDENTIFICATION

A Bottom Arc Post		1PC	I Upper Post		3PCS
B Middle Arc Post		2PCS	J Top Post		1PC
C Top Arc Post		1PC	K Connecting Bar		1PC
D Bottom Post 1		1PC	L Center Post		1PC
E Bottom Post 2		1PC	M Base		1PC
F Bottom Post 3		1PC	N Frame		8PCS
G Bottom Post 4		1PC	O Shelf		8PCS
H Bottom Post 5		1PC			







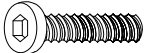



NOTE:

Phillips head screw driver is required in the assembly process; however, manufacturer does not provide this item.

ITEM:805675



HARDWARE IDENTIFICATION

1	BOLT (3/16"x1/2"-BLK)		38PCS	6	WASHER (ϕ 16mm-BLK)		1PC
2	BOLT (M4x19mm-BLK)		24PCS	7	ALLEN KEY (4x22x60mm-BLK)		1PC
3	BOLT (1/4"x3/4"-BLK)		1PC	8	BRACKET (26MM - WHT)		2PCS
4	BOLT (1/4"x1-1/4"-BLK)		5PCS	9	RESTRAINT STRAP (280MM)		1PC
5	BOLT (M4X50mm-WHT)		1PC	10	Control Button (ϕ 13mm)		5PCS

NOTE:

Phillips head screw driver is required in the assembly process; however, manufacturer does not provide this item.

ITEM: **805675**



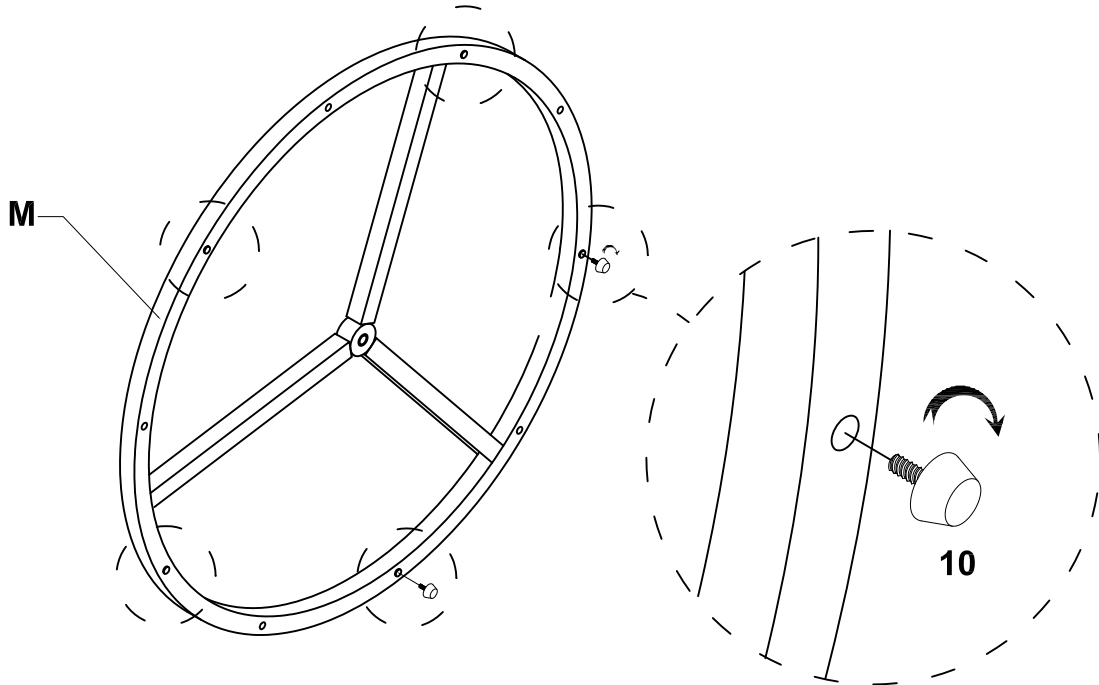
ASSEMBLY INSTRUCTIONS

STEP 1:

10		5PCS
----	--	------

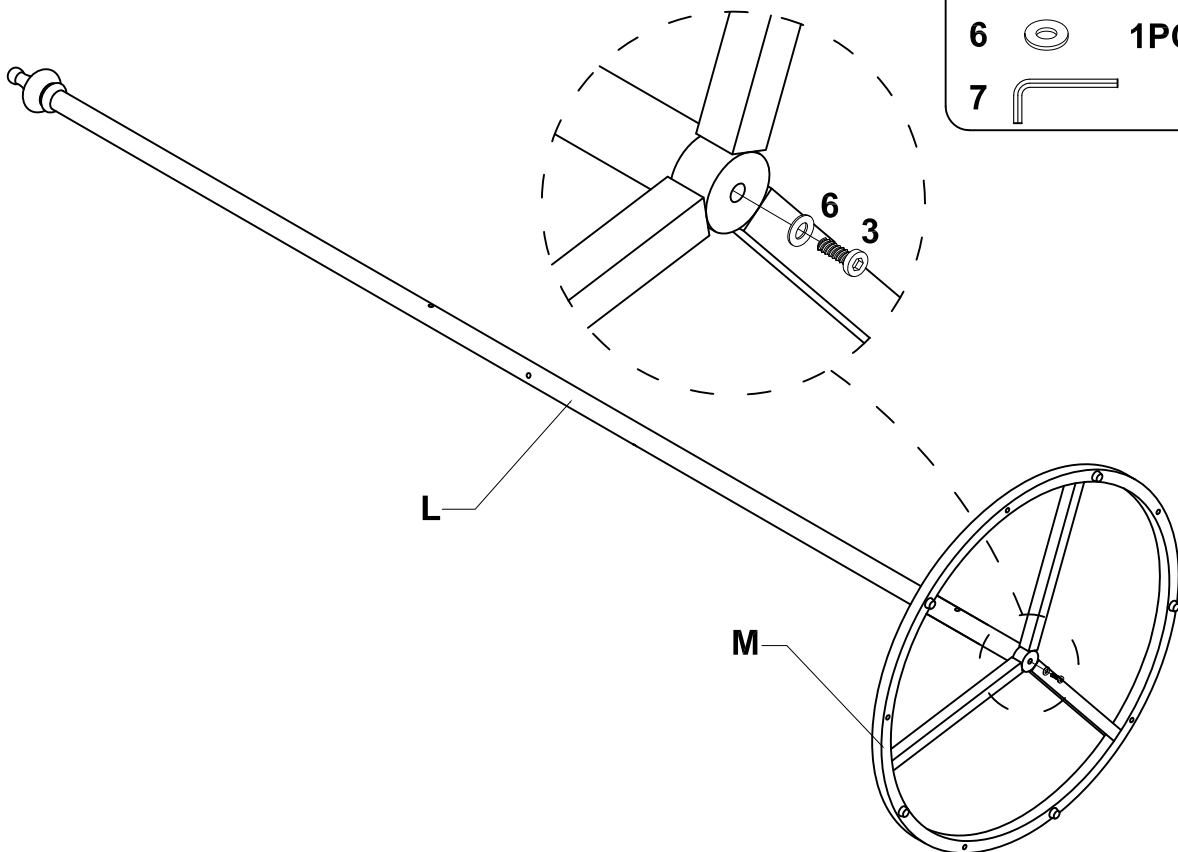
ASSEMBLY

Do not fully tighten all bolts until assembly is complete.
This will help all parts to assemble properly.



STEP 2:

3		1PC
6		1PC
7		



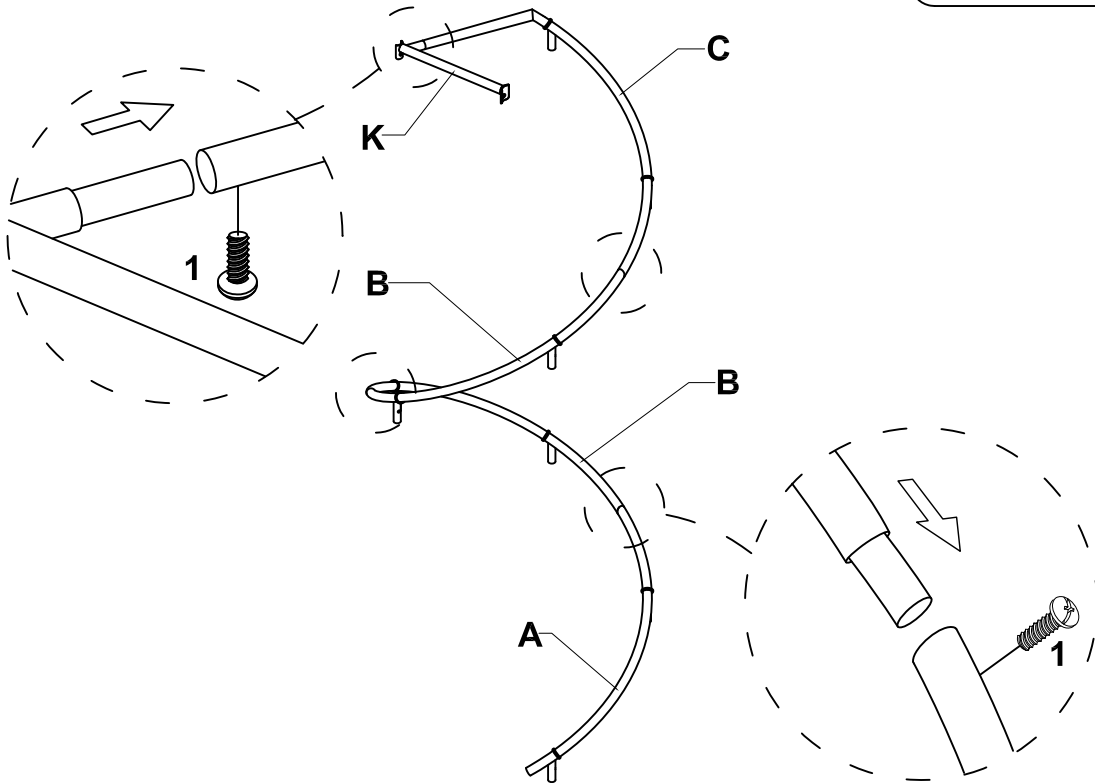
ITEM: **805675**

ASSEMBLY INSTRUCTIONS


STEP 3:

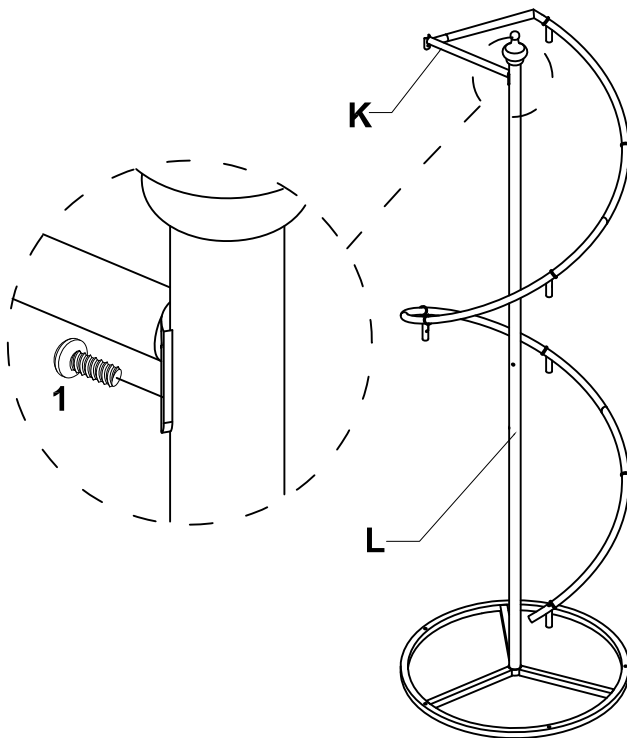


1  4PCS



STEP 4:

1  1PC

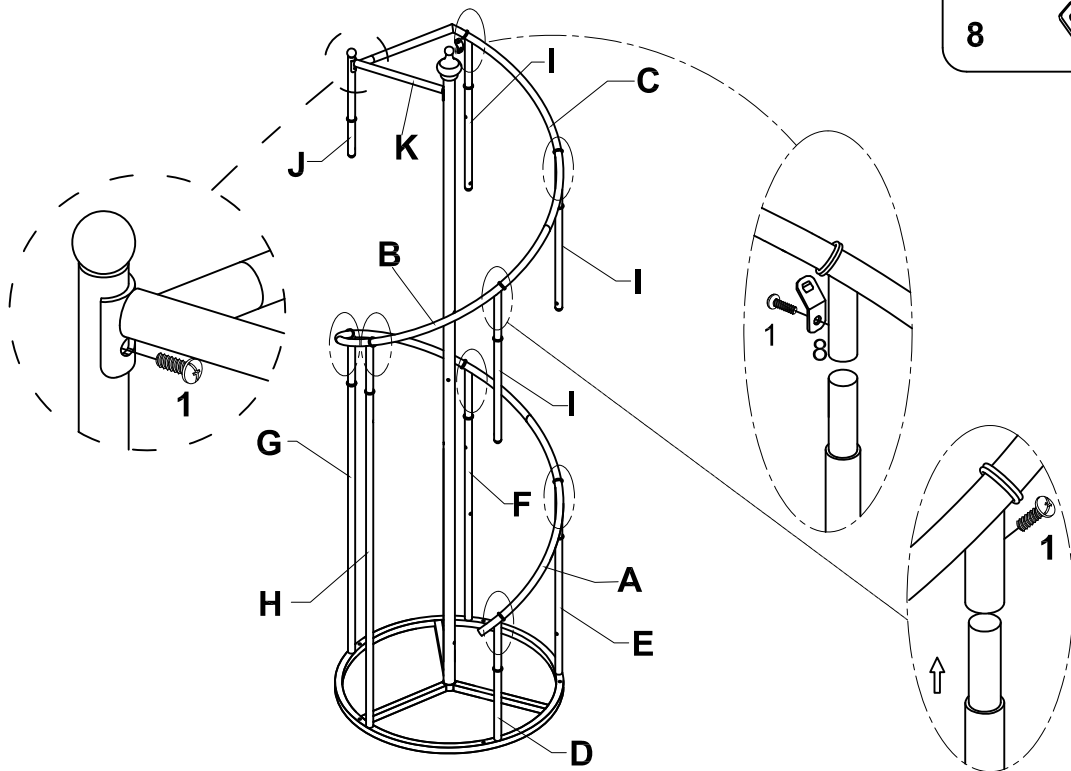


ITEM: **805675**

ASSEMBLY INSTRUCTIONS

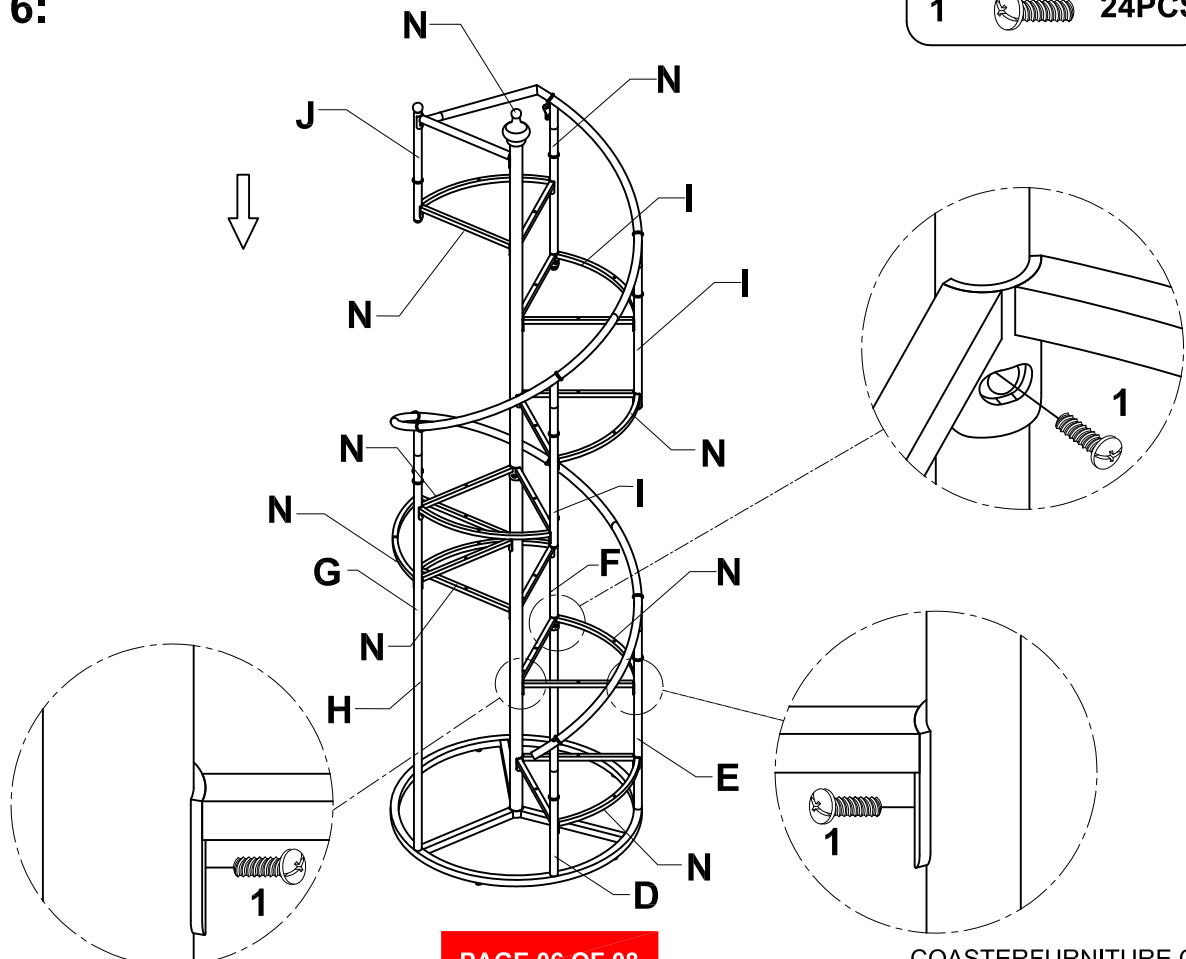


1		9PCS
8		1PC



STEP 6:

1		24PCS
---	--	-------

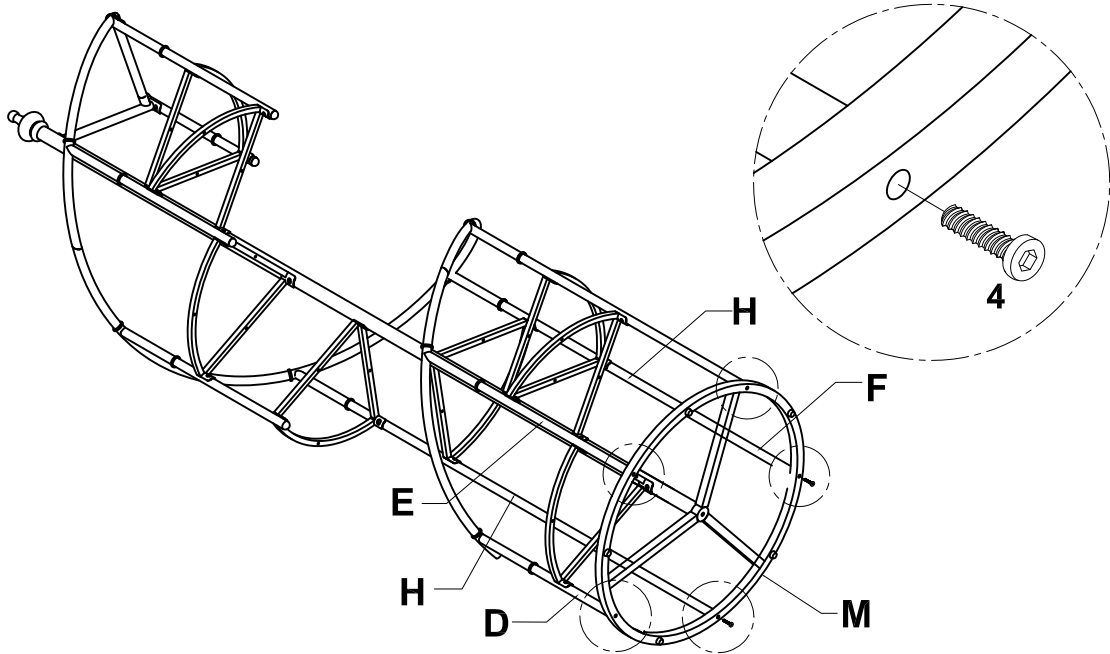


ITEM: **805675**

ASSEMBLY INSTRUCTIONS

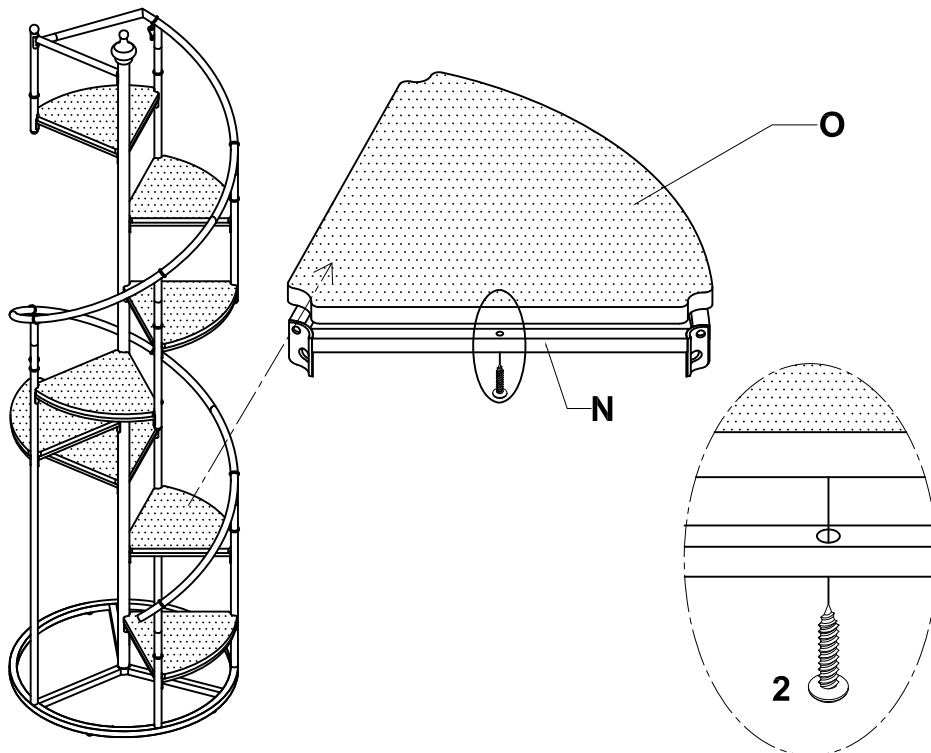


4		5PCS
7		1PC



STEP 6:

2		24PCS
---	--	-------



ITEM: **805675**



ANTI-TIPPING INSTALLMENT INSTRUCTIONS FURNITURE TIPPING RESTRAINT

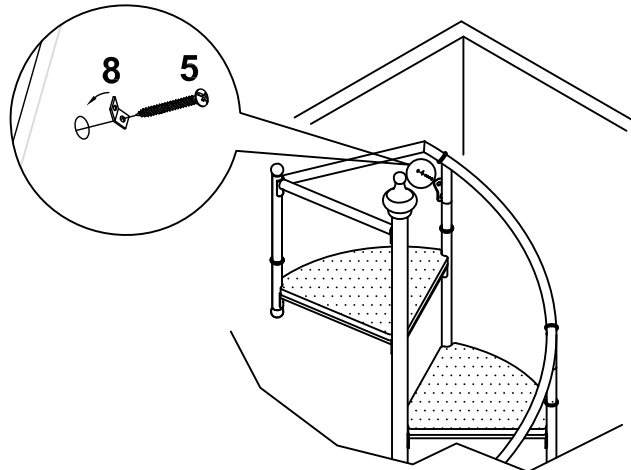
WARNING

Injury may result from tipping furniture.
This restraint may protect against tipping furniture.
Do not allow children to climb on furniture.
This restraint is not a substitute for proper adult supervision.
Failure to detach this restraint before moving the furniture may result in injury and damage.

This tip restraint must be attached to a wall stud using long screw enclosed.

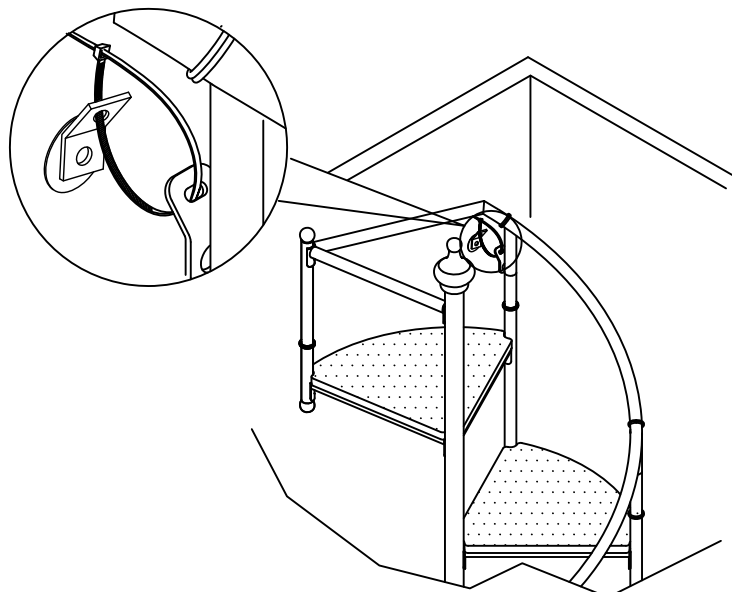
STEP 1

Locate the other bracket on the wall over a wall stud and two inches below the mounting bracket secured to the back of the furniture. Attach the wall stud using the long screw provided, through the smaller hole.



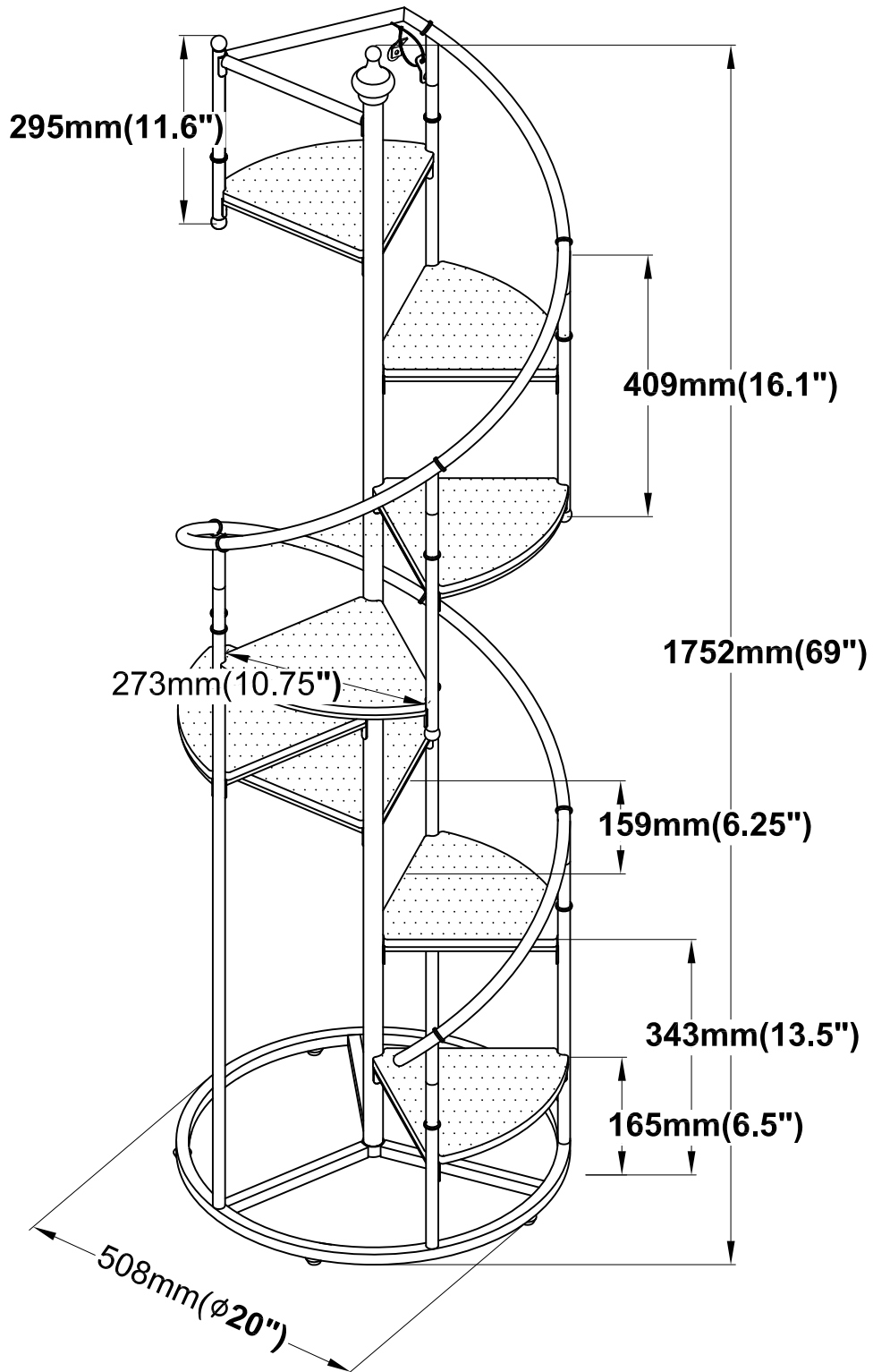
STEP 2

Place the furniture into position so both mounting brackets are vertically in line. Lace the end of the restraint strap through the larger hole in each mounting bracket. Bring both ends together and slide the flat end through the locking end and draw it through until all slack is removed. Confirm that the strap is securely laced and locked.



ITEM: **805675**

COASTER
FINE FURNITURE



Note : Dimension tolerance $\pm 5\%$