

**ASSEMBLY INSTRUCTIONS**  
**COASTER FINE FURNITURE**



*Fine Furniture for every stage of life*

**2019**  
**Coat Rack**

# ITEM:2019

## ASSEMBLY INSTRUCTIONS



### ASSEMBLY TIPS:

1. Remove hardware from box and sort by size.
2. Please check to see that all hardware and parts are present prior to start of assembly.
3. Please follow attached instructions in the same sequence as numbered to assure fast & easy assembly.

### WARNING!



1. Don't attempt to repair or modify parts that are broken or defective. Please contact the store immediately.
2. This product is for home use only and not intended for commercial establishments.

ASSEMBLY TIME

30 MINUTES

## PARTS IDENTIFICATION

|   |               |  |      |
|---|---------------|--|------|
| A | POST (UPPER)  |  | 1PC  |
| B | POST (MIDDLE) |  | 1PC  |
| C | POST (BOTTOM) |  | 1PC  |
| D | TOP HANGER    |  | 4PCS |
| E | MIDDLE HANGER |  | 4PCS |
| F | UPPER LEG     |  | 1PC  |
| G | LOWER LEG     |  | 1PC  |
| H | FINIAL        |  | 1PC  |
| I | METAL PLATE   |  | 1PC  |


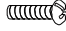





### NOTE:

Phillips head screw driver is required in the assembly process; however, manufacturer does not provide this item.

**ITEM:2019**



**HARDWARE IDENTIFICATION**

|   |                                      |   |       |
|---|--------------------------------------|---|-------|
| 1 | ALLEN BOLT (5/16" x 1-1/2"L - BLK)   |    | 1PC   |
| 2 | BOLT (3/16" x 3/4"L - BLK)           |    | 16PCS |
| 3 | PLASTIC CAP (Φ90 x 40H mm - BLK)     |    | 1PC   |
| 4 | ROUND CAP (19 x 16H mm - BLK)        |    | 12PCS |
| 5 | LARGE CAP (21 x 15H mm - BLK)        |    | 4PCS  |
| 6 | SMALL CAP (12 x 9H mm - BLK)         |   | 4PCS  |
| 7 | ALLEN WRENCH (4 x 20W x 57L mm - SR) |  | 1PC   |

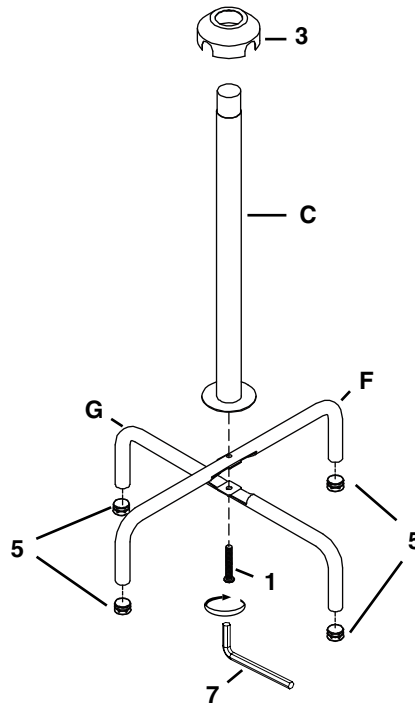
**NOTE:**

Phillips head screw driver is required in the assembly process; however, manufacturer does not provide this item.

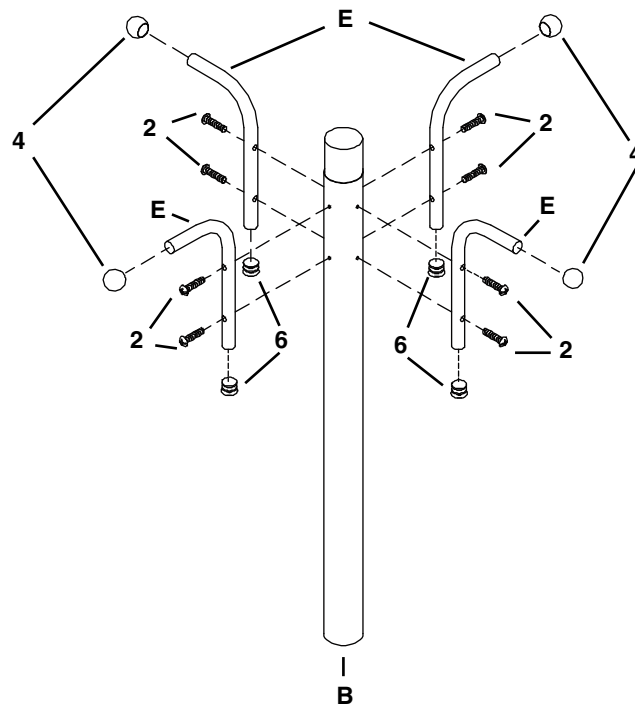
# ITEM:2019

## ASSEMBLY INSTRUCTIONS

### STEP 1



### STEP 2

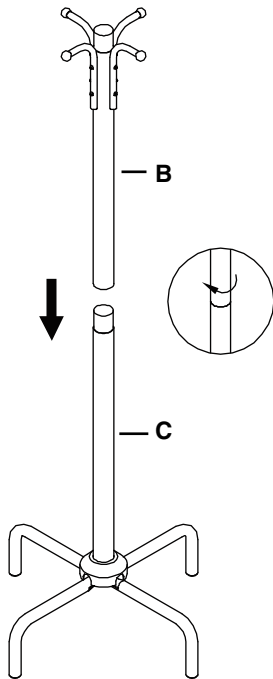


# ITEM:2019

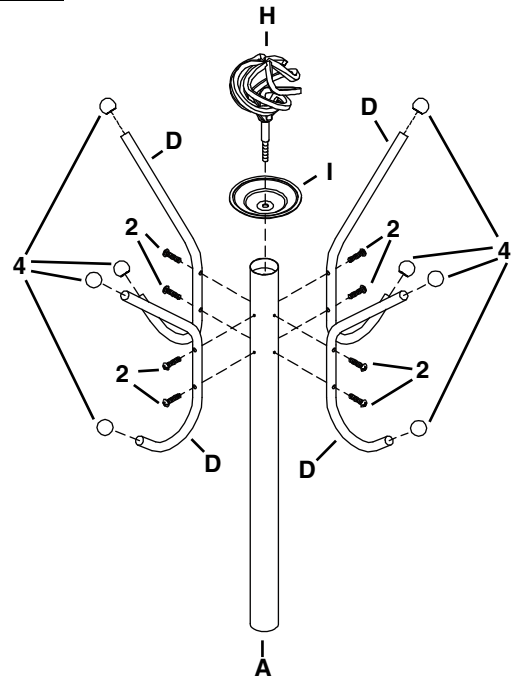
## ASSEMBLY INSTRUCTIONS



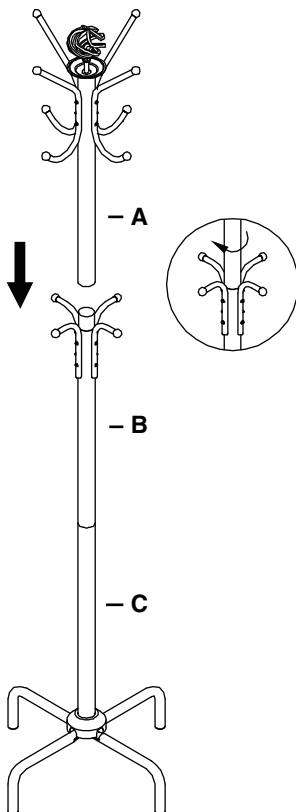
### STEP 3



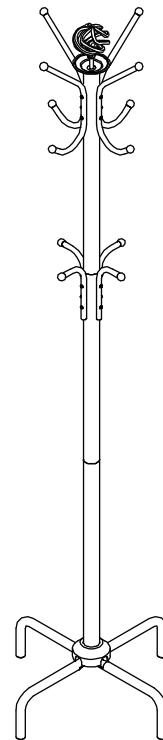
### STEP 4



### STEP 5

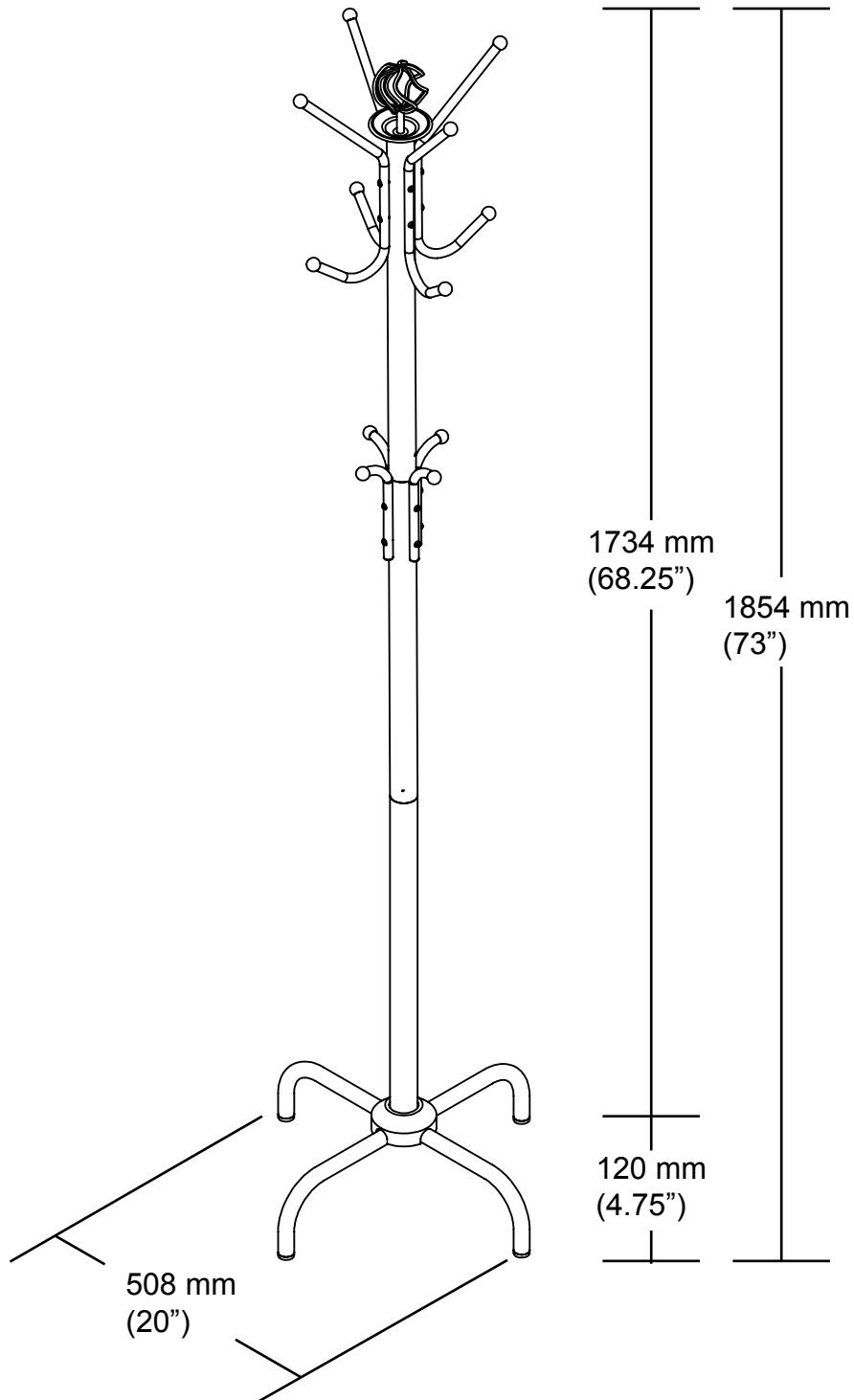


### STEP 6 **COMPLETE**



ITEM:2019

**COASTER**  
FINE FURNITURE



Note : Dimension tolerance  $\pm 5\%$

PAGE 6 OF 6

COASTERFURNITURE.COM