

ASSEMBLY INSTRUCTIONS
COASTER FINE FURNITURE



Fine Furniture for every stage of life

206434
Mirror

ITEM: 206434

ASSEMBLY INSTRUCTIONS

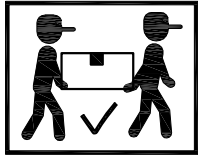
ASSEMBLY TIPS:

1. Remove hardware from box and sort by size.
2. Please check to see that all hardware and parts are present prior to start of assembly.
3. Please follow attached instructions in the same sequence as numbered to assure fast & easy assembly.

WARNING!



1. Don't attempt to repair or modify parts that are broken or defective. Please contact the store immediately.
2. This product is for home use only and not intended for commercial establishments.

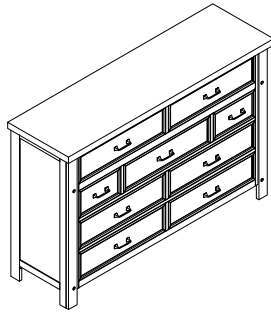


ASSEMBLY TIME

10 MINUTES

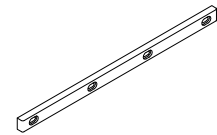
PARTS IDENTIFICATION

A
DRESSER
FROM BOX
ITEM 206433



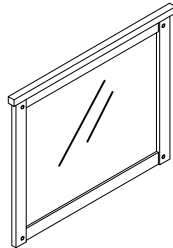
1PC

C
MIRROR SUPPORT
(PACKED WITH
DRESSER)



2PCS

B
MIRROR



1PC

HARDWARE IDENTIFICATION

1
BOLT
(1/4" x 32mm - RBW)



6PCS

3
FLAT WASHER
(1/4" x 19 x 1.5mm - RBW)



6PCS

2
LOCK WASHER
(1/4" - RBW)



6PCS

4
ALLEN WRENCH
(4MM - RBW)



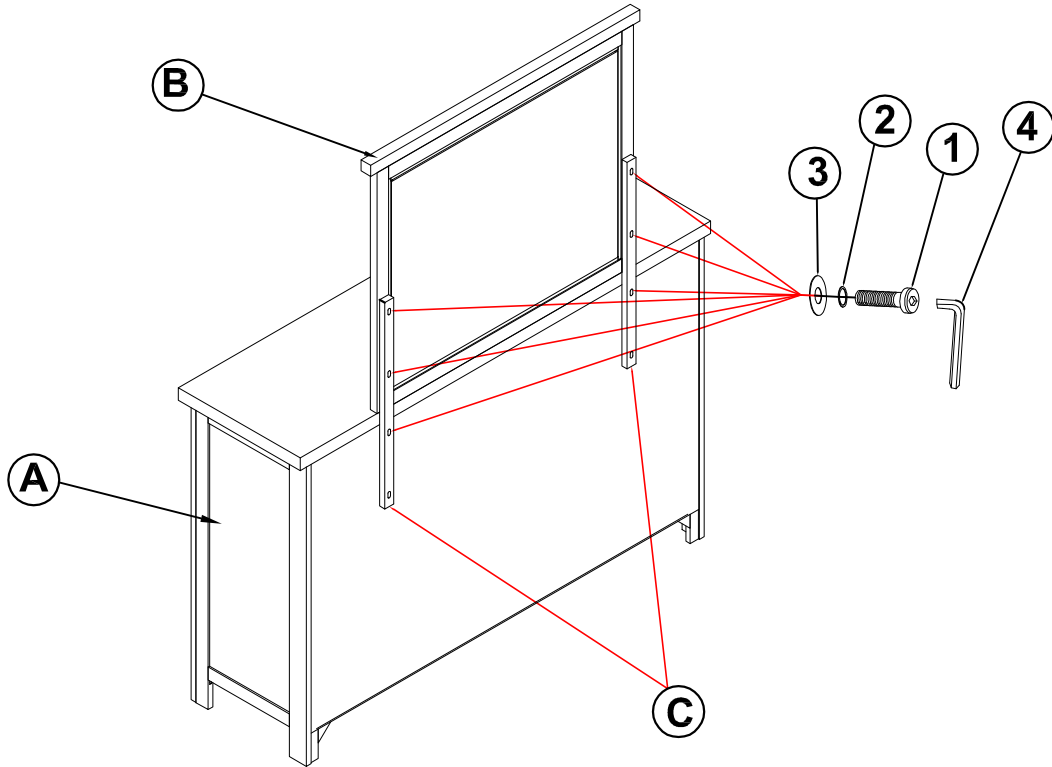
1PC

ITEM: **206434**

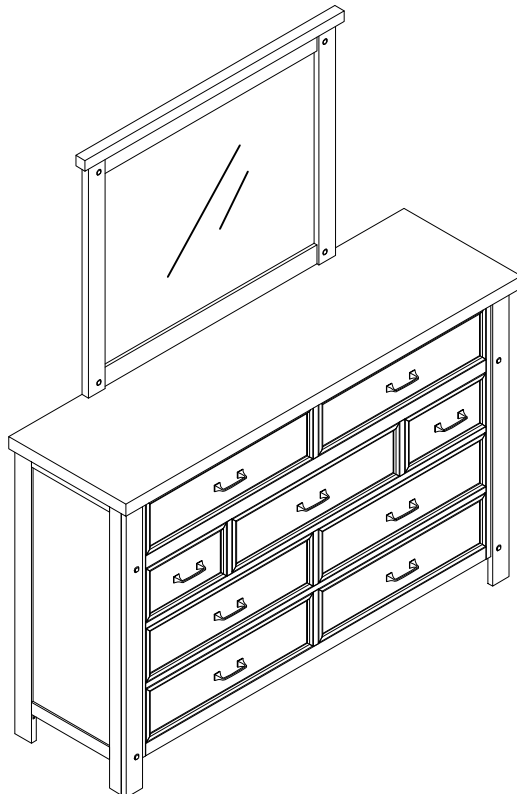
ASSEMBLY INSTRUCTIONS



STEP 1



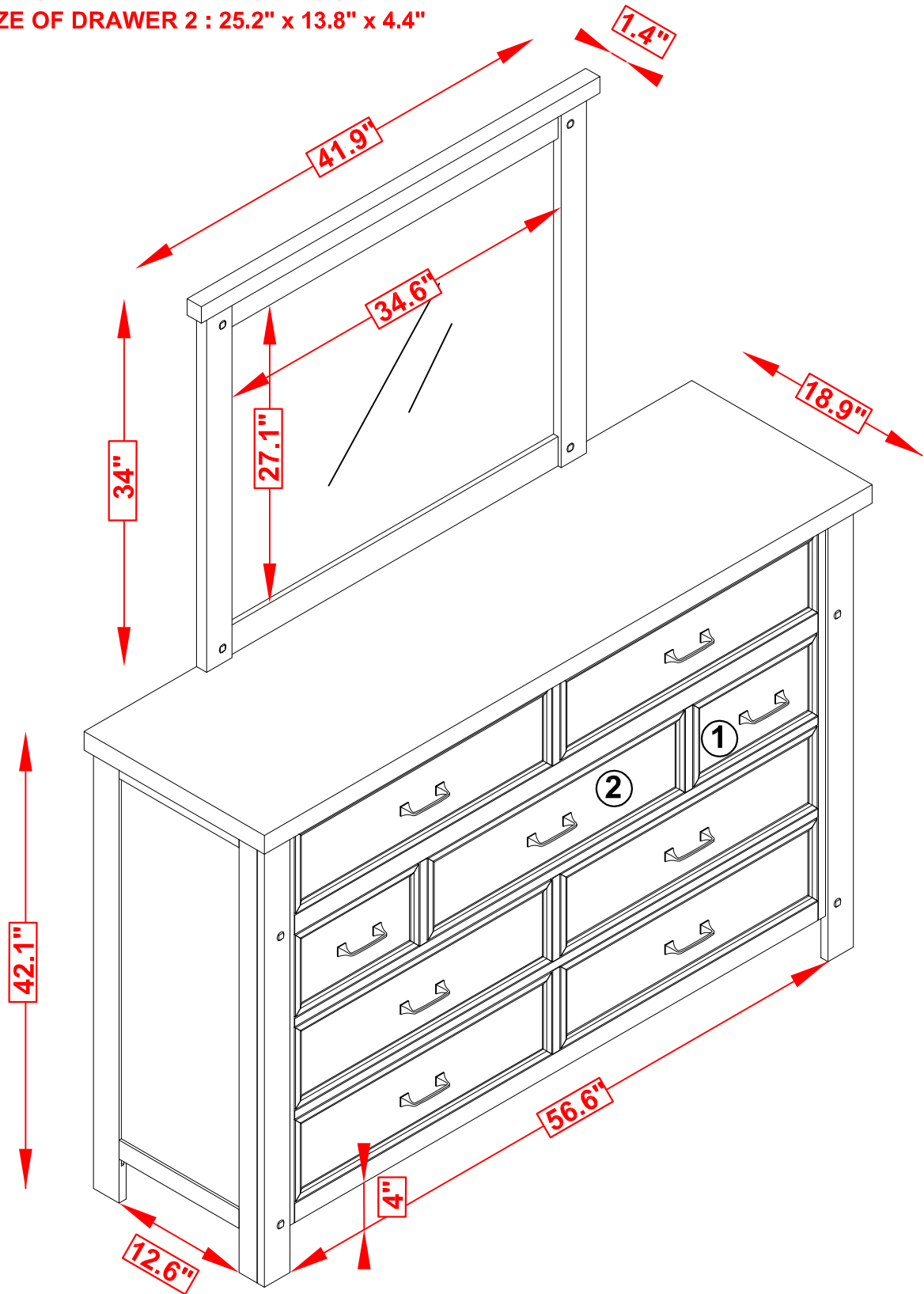
STEP 2
COMPLETE



ITEM:206434

INNER SIZE OF DRAWER 1 : 11.3" x 13.8" x 4.4"

INNER SIZE OF DRAWER 2 : 25.2" x 13.8" x 4.4"



Note : Dimension tolerance $\pm 5\%$